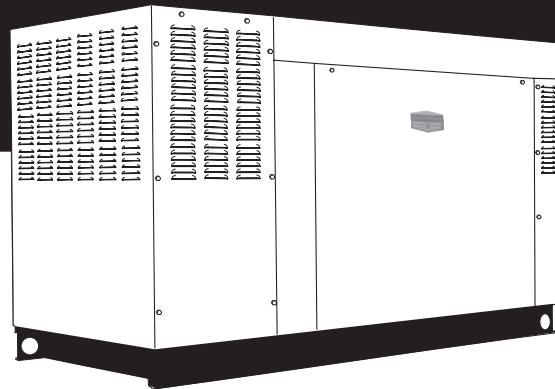


Serial Number

**QT
3.0L
30kW**

Model: 005220-0

**STANDBY GENERATOR
OWNER'S MANUAL**



A new standard of reliability

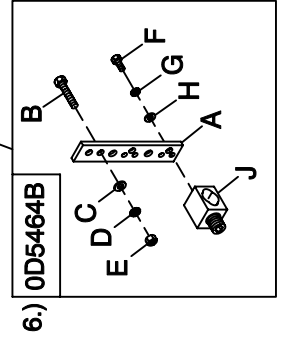
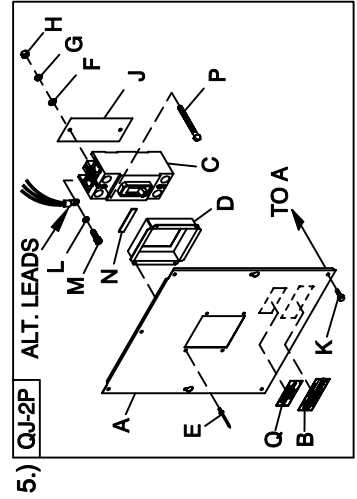
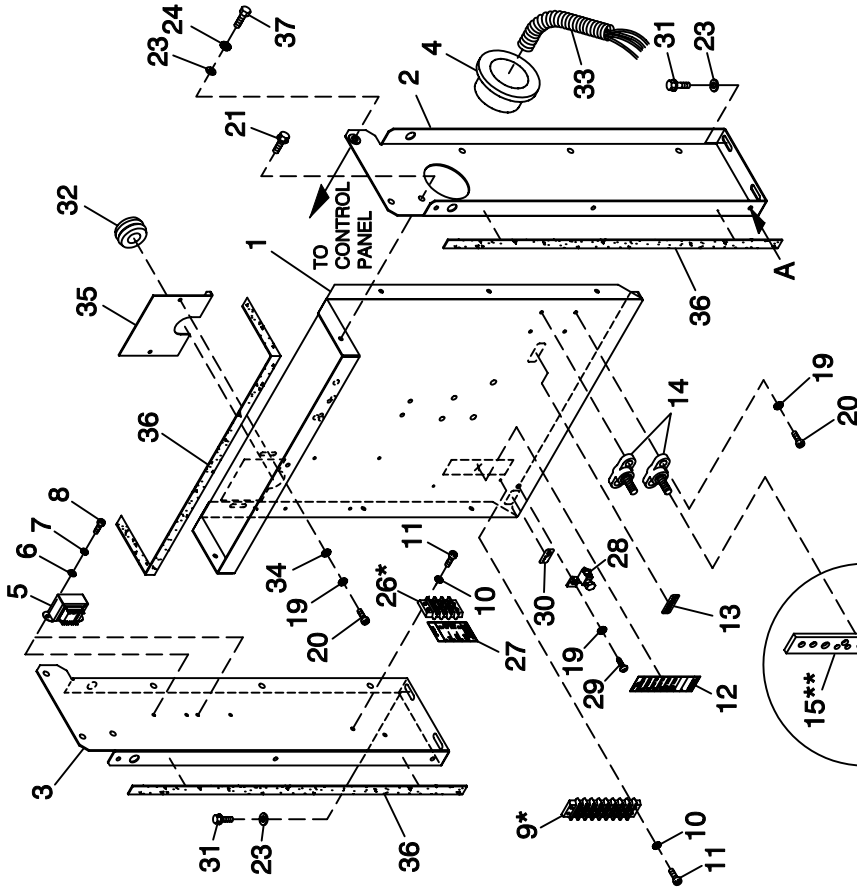
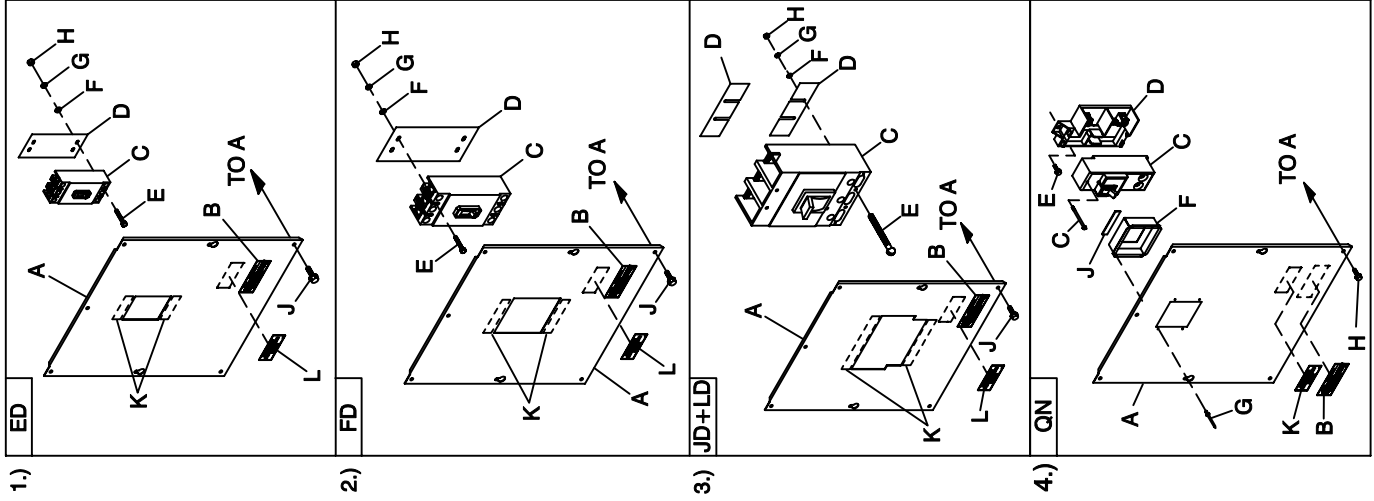
(((QUIETSOURCE™

— ⚠ CAUTION ⚠ —

ONLY QUALIFIED ELECTRICIANS OR CONTRACTORS SHOULD ATTEMPT INSTALLATION!

This manual should remain with the unit.

GROUP A



EXPLODED VIEW:
CPL C2 & C4 FLEX HSB
DRAWING #: 0F3391D

**EXPLODED VIEW: CPL C2 & C4 FLEX HSB
DRAWING #: 0F3391D**

GROUP A

APPLICABLE TO:

| ITEM | PART # | QTY. | DESCRIPTION |
|---------|---------|------|--|
| 1 | 0F3137 | 1 | PAN CB CONN BOX |
| 2 | 0F3188 | 1 | STAND RH CONTROL |
| 3 | 0F3189 | 1 | STAND LH CONTROL |
| 4 | 023484N | 1 | BUSHING SNAP SB-2.5-31 |
| 5 *** | 0F6366B | 1/2 | XFMR DUAL 120V/16V (FOR 120/240V & 277/480V UNITS) |
| | 0F6366A | 1 | XFMR DUAL 104V/16V (FOR 120/208V UNITS) |
| 6 *** | 043180 | 2/4 | WASHER FLAT M4 |
| 7 *** | 022264 | 2/4 | WASHER LOCK #8-M4 |
| 8 *** | 0C3990 | 2/4 | SCREW PHTT M4-0.7 X 10 ZYC |
| 9 * | 057701 | REF | BLOCK TERM 20A 8 X 6 X 1100V |
| 10 | 022155 | 4 | WASHER LOCK #6 |
| 11 | 0C2428 | 4 | SCREW PHTT #6-32 X 1/2 ZYC |
| 12 | 0F3824 | 1 | DECAL UTIL SENSE/CUST CONN |
| 13 | 0A9457 | 1 | DECAL NEUTRAL |
| 14 | 057073 | 2 | JUNCTION BLOCK 3/8-16 |
| 15 ** | 0D5466 | REF | BUS BAR NEUTRAL BLOCK 390 |
| 16 ** | 0A7822 | REF | LUG SLDLSS 600/250-1/0 X 1/4-28 |
| 17 | 022237 | 2 | WASHER LOCK 3/8 |
| 18 | 022241 | 2 | NUT HEX 3/8-16 STEEL |
| 19 | 049226 | 7 | WASHER LOCK M5 |
| 20 | 0C2266 | 6 | SCREW PHTT M5-0.8 X 16 ZYC |
| 21 | 0C2454 | 8 | SCREW THF M6-1 X 16 N WA Z/J5 |
| 23 | 022473 | 8 | WASHER FLAT 1/4-M6 ZINC |
| 24 | 022097 | 4 | WASHER LOCK M6-1/4 |
| 26 * | 0D4698 | REF | BLOCK TERM 20A 6 X 3 X 1100V |
| 27 | 0F4464 | 1 | DECAL CUST CONN 120V UTILITY |
| 28 | 025433 | 1 | LUG SLDLSS #6-14 X 13/64 CU |
| 29 | 024469 | 1 | SCREW HHTT #10-32 X 3/8 CZ |
| 30 | 067210A | 1 | DECAL GROUND LUG |
| 31 | 0D6029 | 4 | SCREW HHTT M6-1.0 X 16 ZYC |
| 32 | 081008 | 1 | GROMMET 1.25 X .25 X .75 |
| 33 | 077043J | 1 | CONDUIT FLEX 2.0" ID (36" LG) |
| 34 | 051713 | 2 | WASHER FLAT M5 |
| 35 | 0F6156 | 1 | PLATE WIRE SNGL GALV |
| 36 | 029289 | 1 | TAPE ELEC 1/2 FOAM (AS REQ'D) |
| 37 | 047411 | 4 | SCREW HHC M6-1.0 X 16 G8.8 |
| 38 **** | 064153B | 2 | WIRE JUMPER TRANSFORMER (NOT SHOWN) |
| 1) | | | UL CIRCUIT BREAKER (ED) |
| A | 0F3328 | 1 | COVER ED CB SHORT STND |
| B | 065469 | 1 | DECAL DANGER HIGH VOLTAGE |
| C | 0D5552 | 1 | CB 0050A 3P 480V S ED4 LL |
| | 0D5554 | - | CB 0070A 3P 480V S ED4 LL |
| | 0D5556 | - | CB 0090A 3P 480V S ED4 LL |
| | 0D9693 | - | CB 0125A 3P 480V S ED4 LL |
| D | 0F0492 | 1 | INSULATOR CB S (ED-3P) |
| E | 048927 | 4 | SCREW RHM #10-32 X 4-1/2 |
| F | 023897 | 4 | WASHER FLAT #10 ZINC |
| G | 022152 | 4 | WASHER LOCK #10 |
| H | 022158 | 4 | NUT HEX #10-32 STEEL |
| J | 0C2454 | 7 | SCREW THF M6-1 X 16 N WA Z/J5 |
| K | 029289 | 1 | TAPE ELEC 1/2 FOAM (AS REQ'D) |
| L | 0F1733 | 1 | DECAL CUSTOMER CONNECT INSIDE |
| 2) | | | UL CIRCUIT BREAKER (FD) |
| A | 0F3138 | 1 | COVER CB CONN BOX |
| B | 065469 | 1 | DECAL DANGER HIGH VOLTAGE |
| C | 0D5572 | 1 | CB 0150A 3P 600V S FD6 LL |
| | 0D5573 | - | CB 0175A 3P 600V S FD6 LL |
| | 0D5574 | - | CB 0200A 3P 600V S FD6 LL |
| | 0D5575 | - | CB 0225A 3P 600V S FD6 LL |
| | 0D5576 | - | CB 0250A 3P 600V S FD6 LL |
| D | 0F0199 | 1 | INSULATOR CB FD FRAME 30MIL |
| E | 081320 | 4 | SCREW SHC 1/4-20 X 4.5 G8.8 NZ |
| F | 022473 | 4 | WASHER FLAT 1/4-M6 ZINC |
| G | 022097 | 4 | WASHER LOCK M6-1/4 |
| H | 022127 | 4 | NUT HEX 1/4-20 STEEL |
| J | 0C2454 | 7 | SCREW THF M6-1 X 16 N WA Z/J5 |
| K | 029289 | 1 | TAPE ELEC 1/2 FOAM (AS REQ'D) |
| L | 0F1733 | 1 | DECAL CUSTOMER CONNECT INSIDE |
| 3) | | | UL CIRCUIT BREAKER (JD+LD) |
| A | 0F3329 | 1 | COVER JD/LD CB SHRT STAND |

| ITEM | PART # | QTY. | DESCRIPTION |
|------|--------|------|---------------------------------|
| B | 065469 | 1 | DECAL DANGER HIGH VOLTAGE |
| C | 0D5577 | 1 | CB 0300A 3P 600V S JD6 LL |
| D | 0F2353 | 2 | INSULATOR CIRCUIT BR. JD/LD |
| E | 022770 | 4 | SCREW RHM 1/4-20 X 3 |
| F | 022473 | 4 | WASHER FLAT 1/4-M6 ZINC |
| G | 022097 | 4 | WASHER LOCK M6-1/4 |
| H | 022127 | 4 | NUT HEX 1/4-20 STEEL |
| J | 0C2454 | 7 | SCREW THF M6-1 X 16 N WA Z/J5 |
| K | 029289 | 1 | TAPE ELEC 1/2 FOAM (AS REQ'D) |
| L | 0F1733 | 1 | DECAL CUSTOMER CONNECT INSIDE |
| 4) | | | UL CIRCUIT BREAKER (QN) |
| A | 0F8135 | 1 | COVER QN FRM CB |
| B | 065469 | 1 | DECAL, DANGER HIGH VOLTAGE |
| C | 0E7283 | - | CB 0150A 2P 240V S QN2 LL |
| | 0E7284 | - | CB 0175A 2P S QN2 LL 240V |
| D | 0E3664 | 1 | BASE, QN CIRCUIT BREAKER |
| E | 074908 | 2 | SCREW HHTT M5-0.8 X 10 BP |
| F | 0F8140 | 1 | COVER QN CB DISH |
| G | 036261 | 4 | RIVET POP .125 X .275 SS |
| H | 0C2454 | 7 | SCREW THF M6-1X16 N WA Z/J5 |
| J | 029289 | 1 | TAPE ELEC 1/2 FOAM (AS REQ'D) |
| K | 0F1733 | 1 | DECAL CUSTOMER CONNECT INSIDE |
| 5) | | | UL CIRCUIT BREAKER (QJ-2P) |
| A | 0F8137 | 1 | COVER QJ 2P FRM CB |
| B | 065469 | 1 | DECAL, DANGER HIGH VOLTAGE |
| C | 0E7994 | - | CB 0225A 240V 2P S QJ22 |
| D | 0F8136 | 1 | COVER QJ 2P CB DISH |
| E | 036261 | 4 | RIVET POP .125 X .275 SS |
| F | 022473 | 2 | WASHER FLAT 1/4-M6 ZINC |
| G | 022097 | 2 | WASHER LOCK M6-1/4 |
| H | 022127 | 2 | NUT HEX 1/4-20 STEEL |
| J | 0F8139 | 1 | INSUL CB 2P QJ |
| K | 0C2454 | 7 | SCREW THF M6-1X16 N WA Z/J5 |
| L | 022237 | 2 | WASHER LOCK 3/8 |
| M | 048527 | 2 | SCREW SHC 3/8-16 X 3/4 G8.8 NZ |
| N | 029289 | 1 | TAPE ELEC 1/2 FOAM (AS REQ'D) |
| P | 022770 | 2 | SCREW RHM 1/4-20 X 3 |
| Q | 0F1733 | 1 | DECAL CUSTOMER CONNECT INSIDE |
| 6) | | | NEUTRAL BLOCK 390 / 200-400A |
| A | 0D5466 | 2 | BUS BAR NEUTRAL BLOCK 390 |
| B | 039287 | 1 | SCREW HHC M8-1.25 X 45 G8.8 FT |
| C | 022145 | 1 | WASHER FLAT 5/16-M8 ZINC |
| D | 022129 | 1 | WASHER LOCK M8-5/16 |
| E | 045771 | 1 | NUT HEX M8-1.25 G8 YEL CHR |
| F | 022473 | 2 | WASHER FLAT 1/4-M6 ZINC |
| G | 022097 | 2 | WASHER LOCK M6-1/4 |
| H | 045335 | 2 | SCREW HHC 1/4-28 X 3/4 G5 |
| J | 0A7822 | 1 | LUG SLDLSS 600/250-1/0 X 1/4-28 |

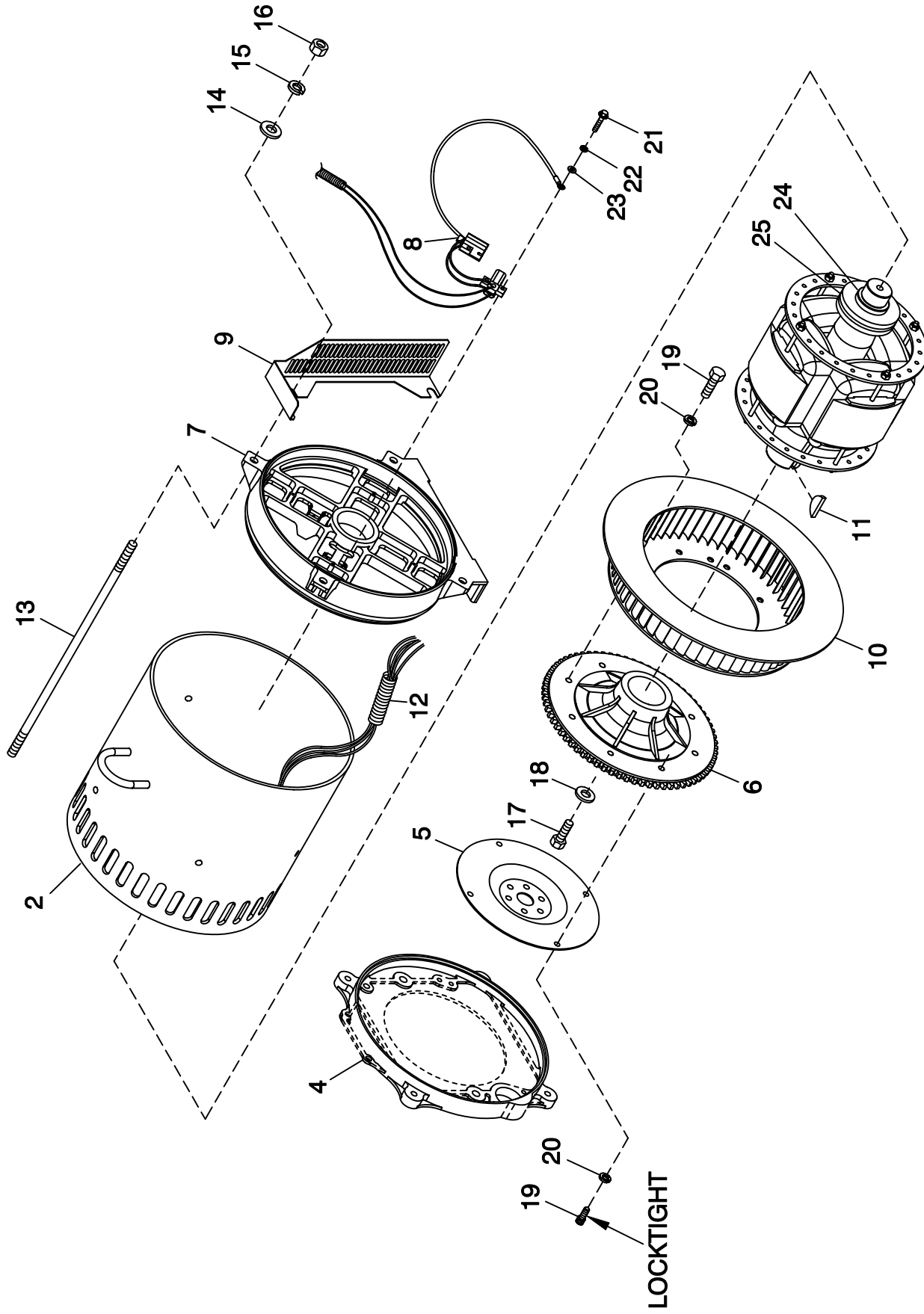
* ITEM INCLUDED WITH HARNESS

** ITEM INCLUDED WITH 0D5464B

*** ITEM QTY DOUBLES FOR 277/480V

**** ITEM USED WITH 277/480V UNITS ONLY

GROUP A



**EXPLODED VIEW: CPL ALTERNATOR DIRECT EXCITATION
DRAWING #: 0F4779**

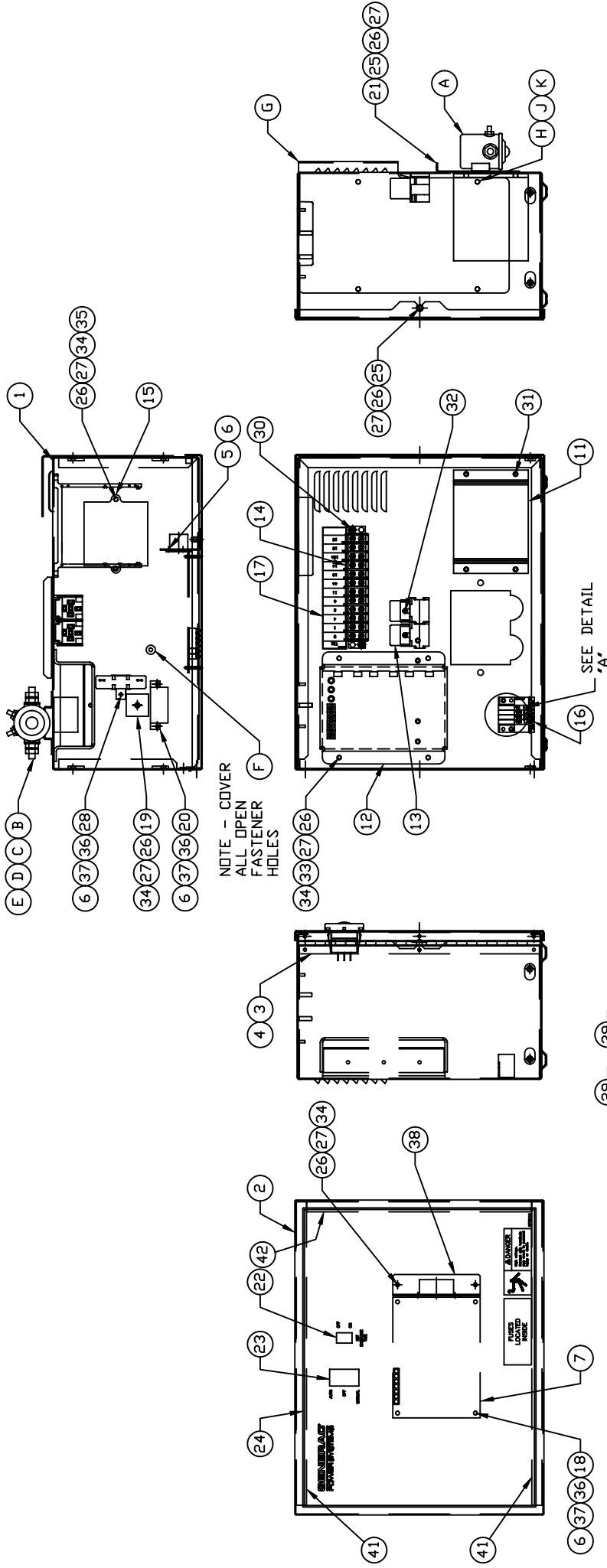
GROUP A

APPLICABLE TO:

| ITEM | PART # | QTY. | DESCRIPTION |
|-------------|---------------|-------------|--|
| 1 | 0F3438 | 1 | RTR 390 30AD1 CPL |
| | 0F3440 | 1 | RTR 390 40AD2 CPL HI-EF |
| | 0F6188 | 1 | ASSY RTR 390 30KD1 CPL |
| | 0F6190 | 1 | ASSY RTR 390 40KD2 CPL |
| 2 | 0F3439 | 1 | STR 390 30AD1 CPL |
| | 0F3441 | 1 | STR 390 40AD2 CPL |
| | 0F6189 | 1 | STR 390 30GD1 CPL |
| | 0F6199 | 1 | STR 390 40GD2 CPL |
| | 0F6655 | 1 | ASSY STR 390 30KD1 CPL |
| | 0F6656 | 1 | ASSY STR 390 40KD2 CPL |
| 3 | 0C9708 | 1 | INSTR HYPOT TEST |
| 4 | SEE ENGINE EV | REF | ENGINE ADAPTER |
| 5 | SEE ENGINE EV | REF | FLEXPLATE |
| 6 | 0F5536 | 1 | ASSY FLYWHEEL C2 CPL |
| 7 | 0E5706 | 1 | REAR BEARING CARRIER 390/DRCT |
| 8 | 0F7874 | 1 | ASSY BRUSH HOLDER 390/HSB |
| 9 | 0F6124 | 1 | GUARD REAR BEARING CARRIER CPL 3.0L 30KW |
| | 0F6123 | 1 | GUARD REAR BEARING CARRIER CPL 3.9L 40KW |
| 10 | 0E6076 | 1 | REVCOR FAN 12.63 X 2 W/PRESSDISK |
| 11 | 023454 | 1 | KEY WOODRUFF #E |
| 12 | 077043F | 1 | CONDUIT FLEX 1-1/4" (30" LG) |
| 13 | 04576100BU | 4 | STUD M14-2.0 570 G5 ZINC (30KW) |
| | 04576100AQ | 4 | STUD M14-2.0 X 615 G5 ZINC |
| 14 | 052646 | 4 | WASHER FLAT M14 |
| 15 | 043123 | 4 | WASHER LOCK M14 |
| 16 | 051779 | 4 | NUT HEX M14-2.0 G8 YEL CHR |
| 17 | 0A2601 | 1 | SCREW HHC M16-2.0 X 45 G8.8 |
| 18 | 0A2602 | 1 | WASHER FLAT .688 ID X 3.25 OD |
| 19 | 0F3398 | 8 | SCREW SHC M10-1.5 X 16 G10.9 |
| 20 | 046526 | 8 | WASHER LOCK M10 |
| 21 | 0C3993 | 4 | SCREW HHTT M4-0.7 X 25 BP |
| 22 | 022264 | 4 | WASHER LOCK #8-M4 |
| 23 | 038150 | 4 | WASHER FLAT #8 ZINC |
| 24* | 047248 | 1 | BALL BEARING-45 MM |
| 25* | 070892 | 1 | SLIP RING MACHINED |

* ROTOR REPLACEMENT PARTS

GROUP B

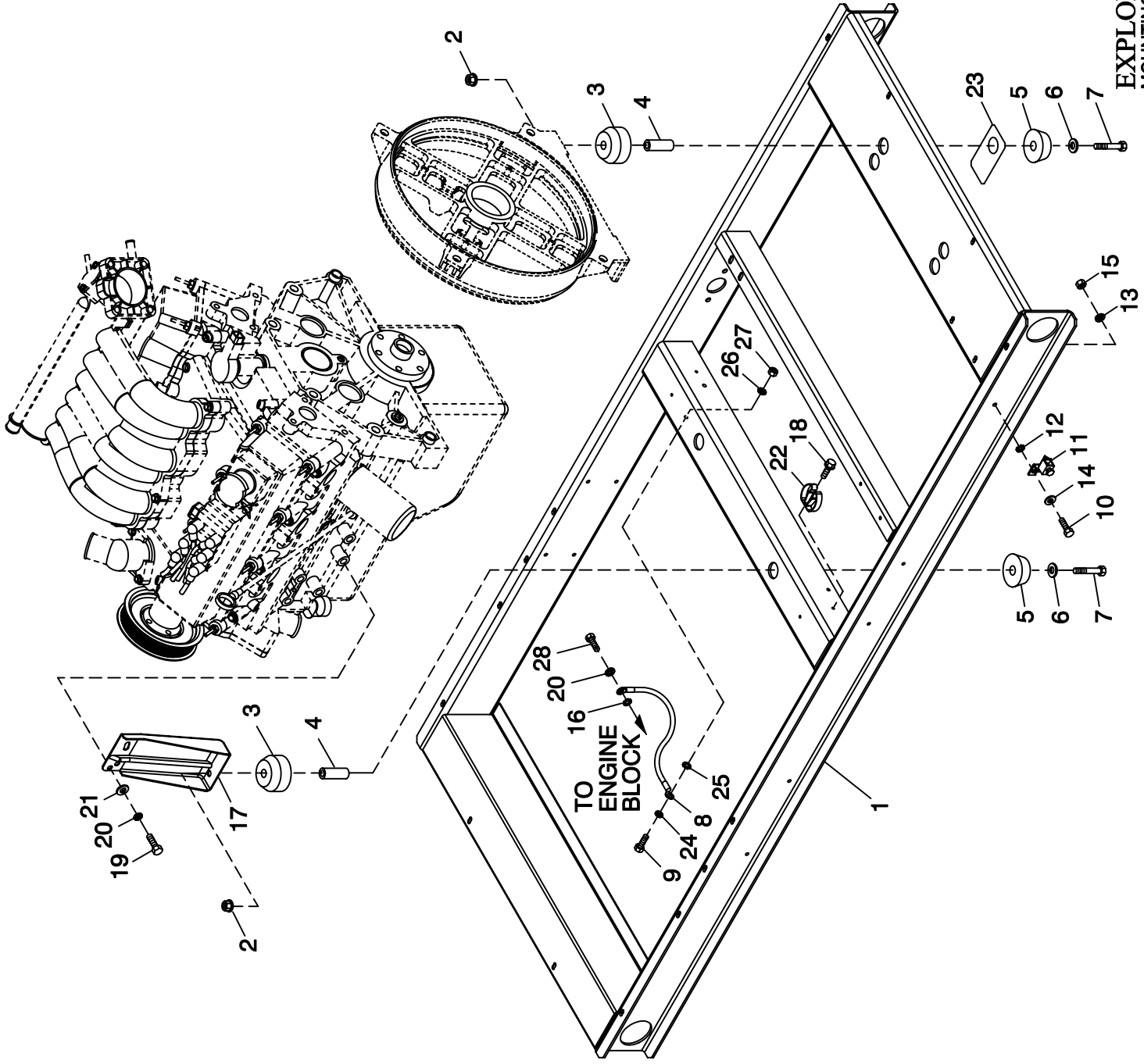


EXPLODED VIEW:
R-100 1800 RPM 3.0/3.9L
DRAWING #: 0F7376D

APPLICABLE TO:

| ITEM | PART # | QTY. | DESCRIPTION |
|---------------------------------------|---------|------|--|
| <u>COMPONENTS INCLUDED IN 01827E</u> | | | |
| 1 | 0F1823A | 1 | ENCL HSB CONTROL PANEL |
| 2 | 0F3078 | 1 | COVER CONTROL PANEL |
| 3 | 0F2606 | 1 | HINGE CONTINUOUS H-PANEL |
| 4 | 036261 | 6 | RIVET POP .125 X .275 SS |
| 5 | 043181 | 4 | SCREW PHM M3-0.5 X 10MM |
| 6 | 052777 | 7 | WASHER FLAT M3 |
| 7 | 0F4245E | 1 | ASSY PCB CPL CTRLR 1800 RPM |
| 8 | 0F1262 | 4 | HOLDER FUSE WICKMANN 178.6150 |
| 9 | 0F1263 | 1 | ADPTR RH SIDE WICKMAN 178.6191 |
| 10 | 0F1264 | 1 | ADPTR LH SIDE WICKMAN 178.6192 |
| 11 | 0F1725C | 1 | ASSY PCB 2AMP 12V UL BATT CHGR |
| 12 | 067680 | 1 | ASSY VOLTAGE REGULATOR 60HZ |
| 13 | 0E6875A | 2 | RELAY 12VDC C FORM W/DIODE |
| 14 | 055911 | 1 | BLOCK TERM 20A 12 X 6 X 1100V |
| 15 | 0E3161 | 1 | ASSY PCB BOSCH GOV DRIVER |
| 16 | 0F5459 | 1 | DECAL CPL CONTROL PANEL FUSES |
| 17 | 0F5462 | 1 | DECAL CPL 3.9L TB1 |
| 18 | 0A5062J | 4 | SPACER 9.5H 3.2 ID |
| 19 | 029673 | 1 | DIO BRIDGE 25A 600V |
| 20 | 048467 | 1 | CIRCT BRK 7 X 1 ETA 46-500-P |
| 21 | 0F1958 | 1 | PLATE,HARNESH CLAMP |
| 22 | 082573 | 1 | SWITCH RKR DPST 125V SPD |
| 23 | 0E4494 | 1 | SWITCH RKR DPDT ON-OFF-ON |
| 24 | 0F3215 | 1 | DECAL CONTROL HSB |
| 25 | 0F5886 | 3 | SCREW HHPM M5-0.8 X 12 |
| 26 | 051713 | 12 | WASHER FLAT M5 |
| 27 | 049226 | 12 | WASHER LOCK M5 |
| 28 | 0F5752F | 1 | RES WW 15R 5% 25W QK CONN |
| 29 | 0F5884 | 2 | SCREW PHTT M3.5-0.6 X 10 |
| 30 | 0F5896 | 2 | SCREW PHTT M3.5-0.6 X 16 |
| 31 | 0C2265 | 4 | SCREW PHTT M4-0.7 X 12 ZYC |
| 32 | 0C3990 | 2 | SCREW PHTT M4-0.7 X 10 ZYC |
| 33 | 091526 | 4 | SCREW PPHM M5-0.8 X 12 ZNC |
| 34 | 051716 | 9 | NUT HEX M5-0.8 G8 CLEAR ZINC |
| 35 | 079224 | 2 | SCREW PPHM M5-0.8 X 30 SS |
| 36 | 043182 | 7 | WASHER LOCK M3 |
| 37 | 051714 | 7 | NUT HEX M3-0.5 G8 YEL CHR |
| 38 | 0F3192 | 1 | SUPPORT ANGLE PCB |
| 39 | 0E7403C | 1 | FUSE ATO TYPE 15 AMP (BLUE) |
| 40 | 0F4416 | 1 | HARN 1800RPM R-100 CONTROL PNL (NOT SHOWN) |
| 41 | 0F6305 | 2 | SEAL COVER 3.18 X 12.7 X 382 |
| 42 | 0F6305A | 1 | SEAL COVER 3.18 X 12.7 X 283 |
| <u>COMPONENTS INCLUDED IN 0F7376D</u> | | | |
| A | 056739 | 1 | RELAY SOLENOID 12VDC PNL MNT |
| B | 047411 | 2 | SCREW HHC M6-1.0 X 16 G8.8 |
| C | 022473 | 4 | WASHER FLAT 1/4-M6 ZINC |
| D | 022097 | 2 | WASHER LOCK M6-1/4 |
| E | 049813 | 2 | NUT HEX M6 X 1.0 G8 YEL CHR |
| F | 0F6145 | A/R | SEAL WEATHER .45"DIA |
| G | 0F2627A | 1 | COVER CONTROL PANEL SIDE |
| H | 049815 | 4 | SCREW HHC M5-0.8 X 16 G8.8 |
| J | 049226 | 4 | WASHER LOCK M5 |
| K | 023897 | 4 | WASHER FLAT #10 ZINC |

GROUP C



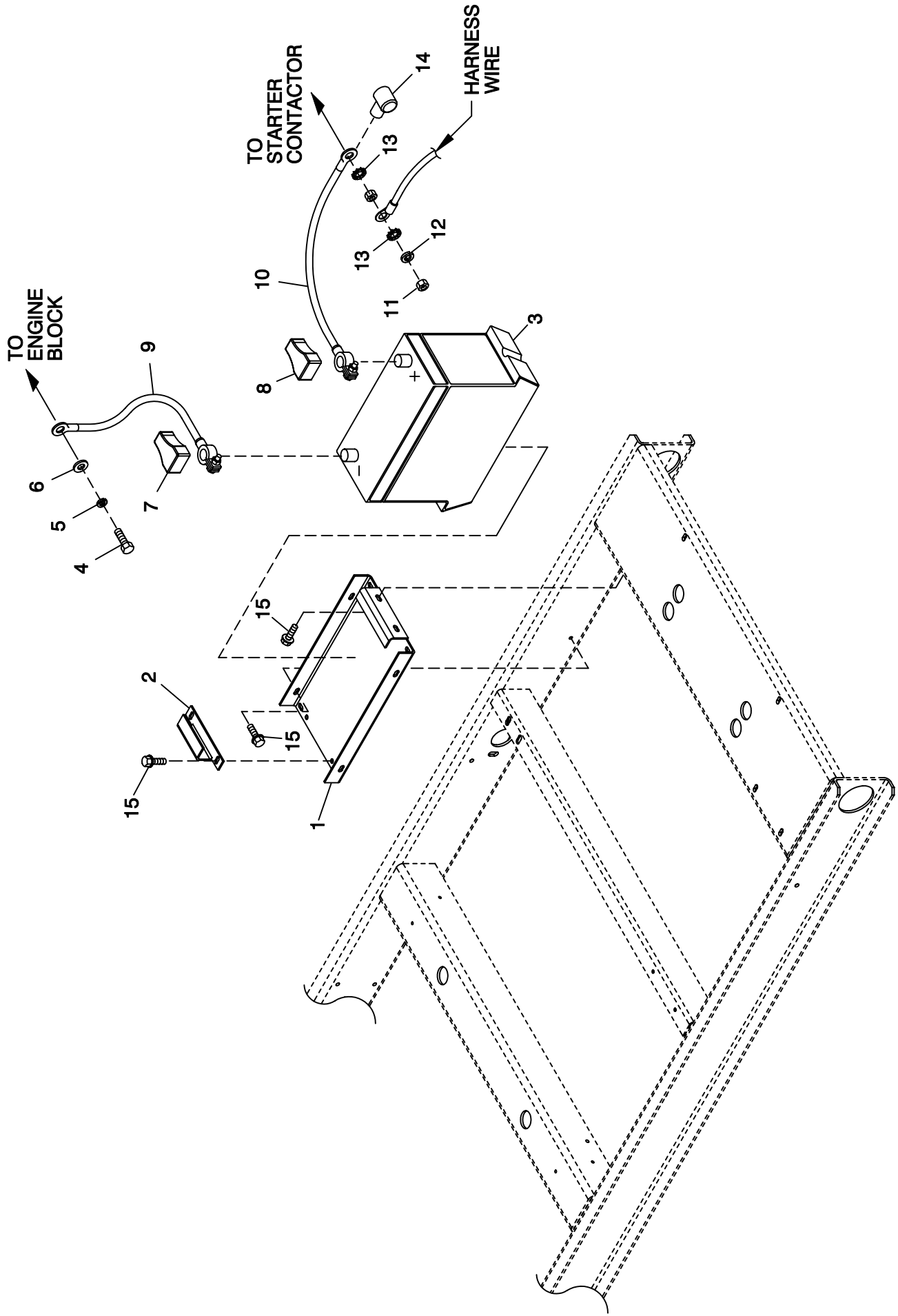
EXPLODED VIEW: MOUNTING BASE 3.0L 30KW C2 CPL
DRAWING #: 0F3513

GROUP C

APPLICABLE TO:

| ITEM | PART # | QTY. | DESCRIPTION |
|------|------------|------|----------------------------------|
| 1 | 0F3270A | 1 | MTG BASE 3.0L 30KW C2 |
| 2 | 052860 | 4 | NUT FLANGED HEX M12-1.75 |
| 3 | 052251 | 4 | DAMPENER VIBRATION 40 BLUE |
| 4 | 052257 | 4 | SPACER .49 X .62 X 1.87 PWDR/ZNC |
| 5 | 052252 | 4 | DAMPENER VIBRATION |
| 6 | 052259 | 4 | WASHER FLAT M12 |
| 7 | 052891 | 4 | SCREW HHC M12-1.75 X 80 G8.8 |
| 8 | 0536210410 | 1 | ASSY WIRE 14.00" |
| 9 | 042909 | 1 | SCREW HHC M8-1.25 X 30 G8.8 |
| 10 | 047411 | 1 | SCREW HHC M6-1.0 X 16 G8.8 |
| 11 | 055414 | 1 | LUG SLDLSS #2-#8 X 17/64 CU |
| 12 | 022447 | 1 | WASHER SHAKEPROOF INT 1/4 |
| 13 | 022097 | 1 | WASHER LOCK M6-1/4 |
| 14 | 022473 | 2 | WASHER FLAT M6-1/4 ZINC |
| 15 | 049813 | 1 | NUT HEX M6 -1.0 G8 YEL CHR |
| 16 | 022261 | 1 | WASHER SHAKEPROOF INT 3/8 |
| 17 | 0E8824 | 2 | STAMPING ENG FOOT 3.0L FORD |
| 18 | 045764 | 1 | SCREW HHTT M4-0.7 X 8 BP |
| 19 | 049814 | 4 | SCREW HHC M10-1.5 X 25 G8.8 |
| 20 | 022302 | 5 | WASHER LOCK 7/16 |
| 21 | 022131 | 4 | WASHER FLAT 3/8-M10 ZINC |
| 22 | 065852 | 1 | SPRING CLIP HOLDER .37-.62 |
| 23 | 0F5898 | 2 | PLATE ALT VARMINT |
| 24 | 022129 | 1 | WASHER LOCK M8-5/16 |
| 25 | 026204 | 1 | WASHER SHAKEPROOF INT 5/16 |
| 26 | 022145 | 1 | WASHER FLAT 5/16-M8 ZINC |
| 27 | 045771 | 1 | NUT HEX M8-1.25 G8 CLEAR ZINC |
| 28 | 051755 | 1 | SCREW HHC M10-1.5 X 16 G8.8 |

GROUP C



EXPLODED VIEW:
BATTERY
DRAWING #: 0F5668

EXPLODED VIEW: BATTERY

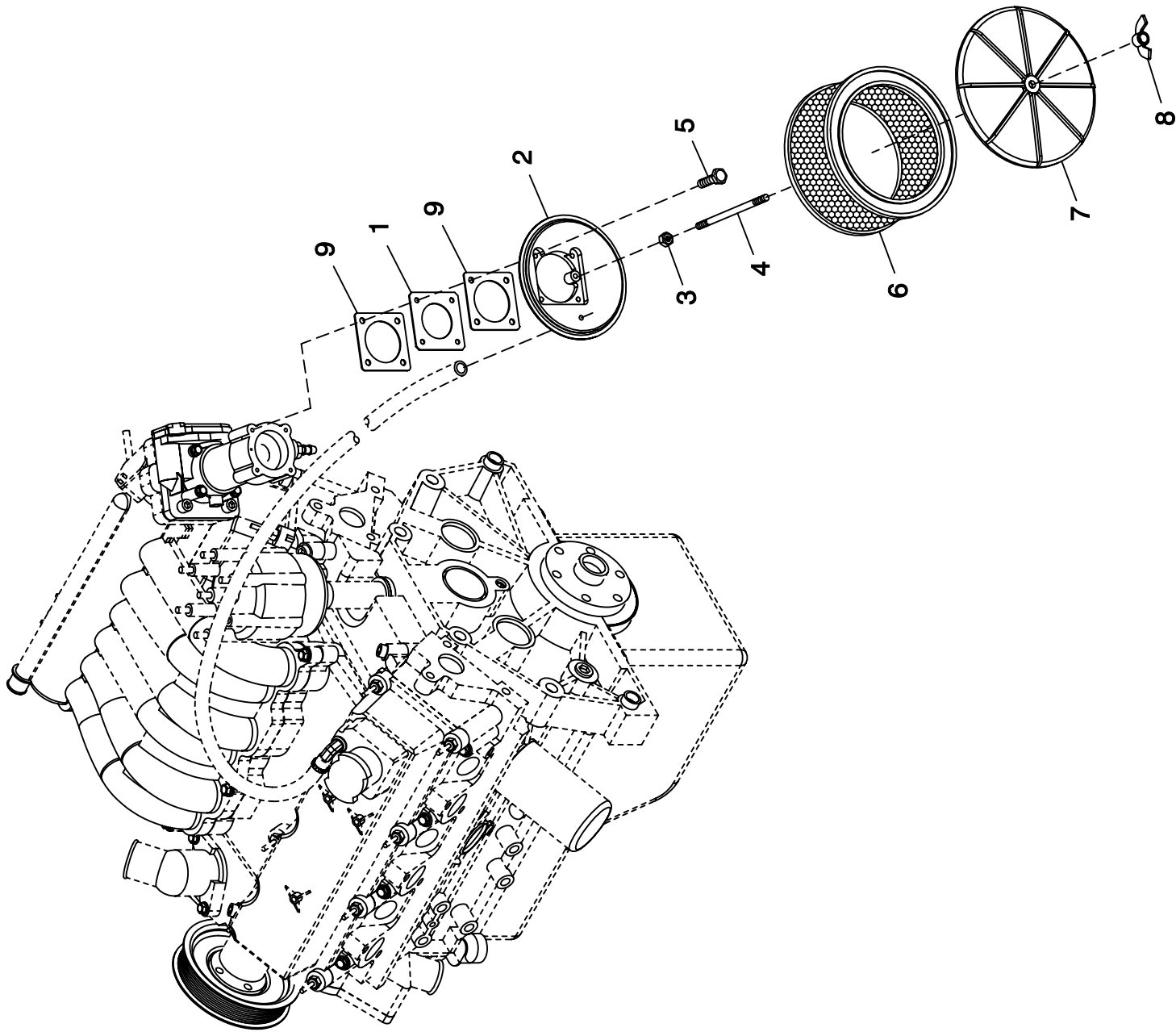
DRAWING #: 0F5668

GROUP C

APPLICABLE TO:

| ITEM | PART # | QTY. | DESCRIPTION |
|------|---------|------|--------------------------------|
| 1 | 0F3408 | 1 | TRAY BATTERY |
| 2 | 0F3411 | 1 | STRAP BATTERY RETAINMENT |
| 3 | 058208 | REF | BATT 12VDC 24F 625 |
| 4 | 036833 | 1 | SCREW HHC 3/8-16 X 1 G8 |
| 5 | 022237 | 1 | WASHER LOCK 3/8 |
| 6 | 022131 | 1 | WASHER FLAT 3/8-M10 ZINC |
| 7 | 050331A | 1 | BATT POST COVER RED + |
| 8 | 050331 | 1 | BATT POST COVER BLK - |
| 9 | 038805H | 1 | CABLE BATT BLK #1 X 23.00 |
| 10 | 038804Y | 1 | CABLE BATT RED #1 X 35.00 |
| 11 | 045771 | 1 | NUT HEX M8-1.25 G8 YEL CHR |
| 12 | 022129 | 1 | WASHER LOCK M8-5/16 |
| 13 | 027482 | 2 | WASHER SHAKEPROOF EXT 5/16 STL |
| 14 | 075763 | 1 | BOOT BATTERY CABLE |
| 15 | 0C2454 | 6 | SCREW THF M6-1 X 16 N WA Z/JS |

GROUP D



EXPLODED VIEW:
AIR CLEANER 3.0L FORD C2
DRAWING #: 0F3516

EXPLODED VIEW: AIR CLEANER 3.0L FORD C2

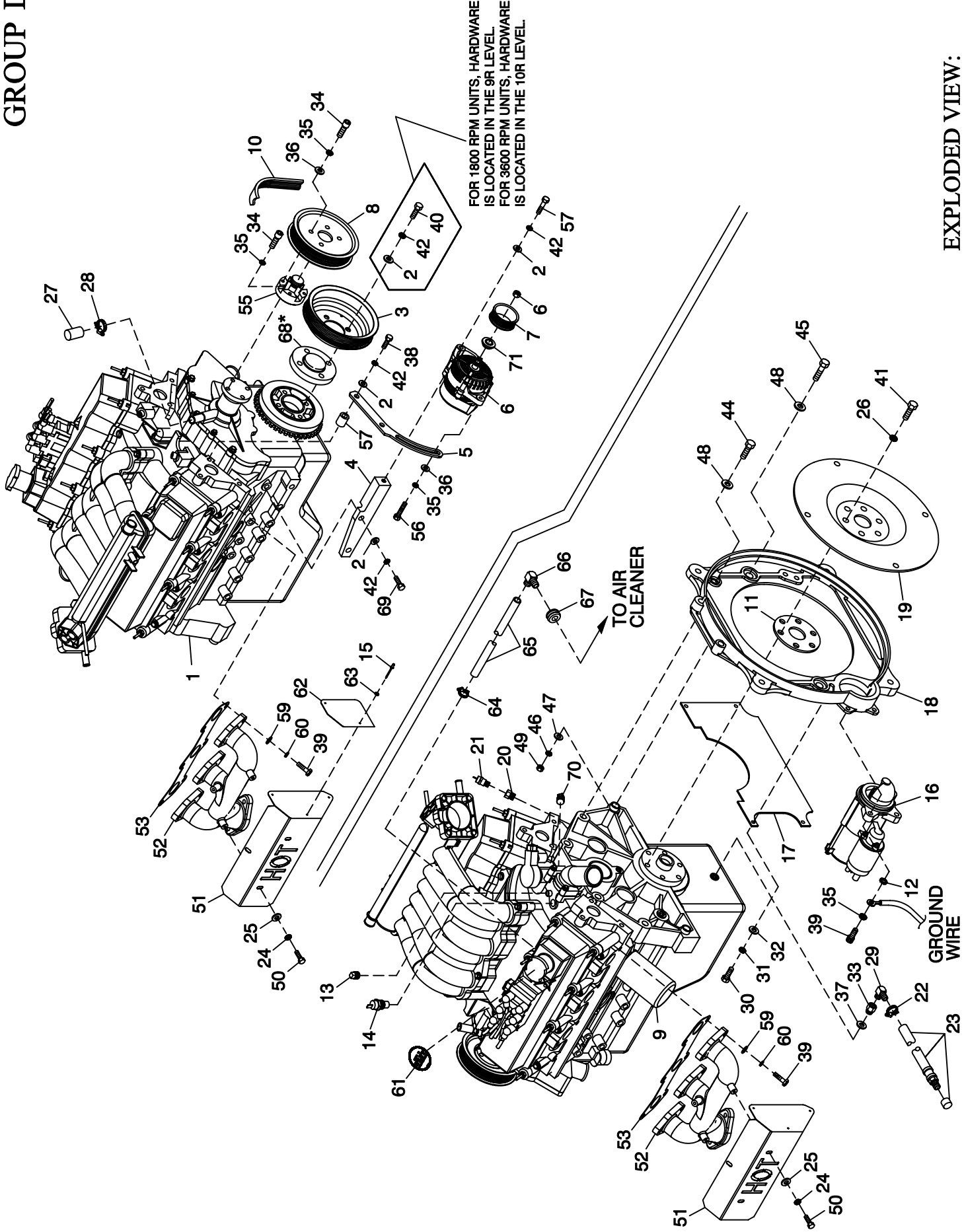
DRAWING #: 0F3516

GROUP D

APPLICABLE TO:

| ITEM | PART # | QTY. | DESCRIPTION |
|-------------|---------------|-------------|-------------------------------|
| 1 | 0E5193 | 1 | PLATE AIR CLEANER ADAPTER |
| 2 | 0E0519A | 1 | ADAPTER CARBURETOR WPVC CONN |
| 3 | 022127 | 1 | NUT HEX 1/4-20 STEEL |
| 4 | 062974 | 1 | STUD TH 1/4-20 X 4-1/2 G2 ZNC |
| 5 | 052619 | 4 | SCREW HHC M5-0.8 X 20 G8.8 |
| 6 | 0C8127 | 1 | ELEMENT AIR CLEANER |
| 7 | 0A5547 | 1 | COVER - AIR CLEANER |
| 8 | 037561 | 1 | NUT WING 1/4-20 NYLK |
| 9 | 0E6586 | 2 | GASKET BOSCH 32 & 40 |

GROUP D



EXPLODED VIEW:
ENGINE COMMON PARTS 3.0L FORD CPL
DRAWING #: 0F6845

**EXPLODED VIEW: ENGINE COMMON PARTS 3.0L FORD CPL
DRAWING #: 0F6845**

GROUP D

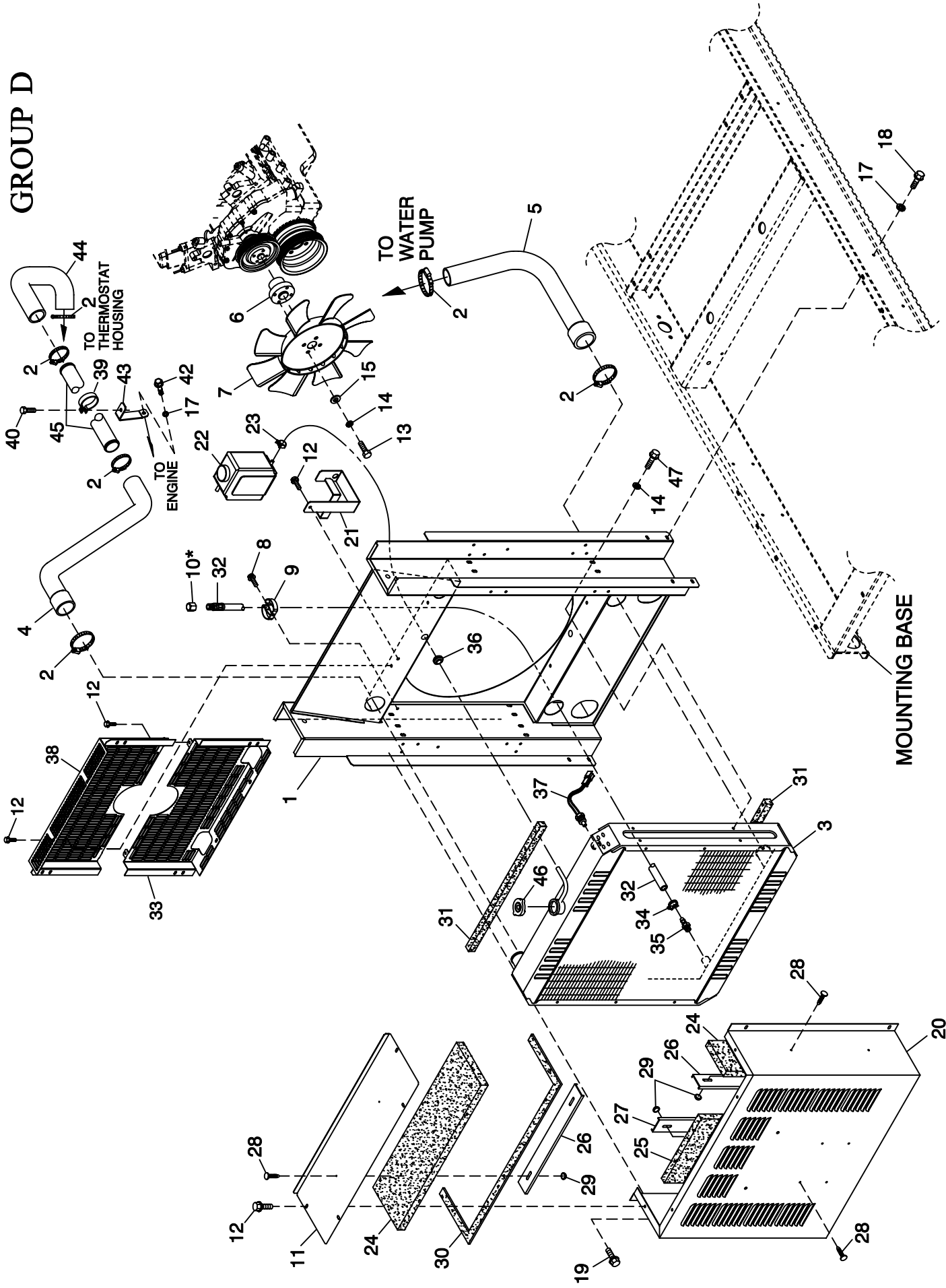
APPLICABLE TO:

| ITEM | PART # | QTY. | DESCRIPTION |
|------|-----------|------|---|
| 1 | 0F6842 | 1 | ENGINE 3.0L FORD (FD) (MAKE) CPL |
| 2 | 022131 | 14 | WASHER FLAT 3/8-M10 ZINC (1800 RPM ONLY) |
| | 022131 * | 9 | WASHER FLAT 3/8-M10 ZINC (3600 RPM ONLY) |
| 3 | 0E8963 | 1 | PULLEY CRANKSHAFT 3.0L FORD (1800 RPM ONLY) |
| | 0E6309 | 1 | PULLEY CRANKSHAFT 3.0L FORD (3600 RPM ONLY) |
| 4 | 0F6912 | 1 | BRACKET R/H SIDE D.C. ALT |
| 5 | 0F6873 | 1 | BRACKET TENSIONER |
| 6 | 0E9868A | 1 | ALTERNATOR DC W/OUT PULLEY |
| 7 | 0F3216 | 1 | PULLEY 80 OD DC ALTERNATOR (1800 RPM) |
| | 0F3216C | 1 | PULLEY 132 OD DC ALTERNATOR (3600 RPM) |
| 8 | 0E6308 | 1 | PULLEY WATERPUMP 3.0L FORD (RD) |
| 9 | 0E7080 | REF. | OIL FILTER 3.0L FORD |
| 10 | 0D3488F | 1 | BELT SERPENTINE 38.35" LG (1800 RPM) |
| | 0D3488B * | 1 | BELT SERPENTINE 40.85" LG (3600 RPM) |
| 11 | 0E8940 | 1 | SPACER FLEXPLATE HSB (1800 RPM) |
| | 0F5753 * | 1 | SPACER FLEX PLATE 3.0L FORD (3600 RPM) |

| ITEM | PART # | QTY. | DESCRIPTION |
|------|-----------|------|---|
| 12 | 027482 | 1 | WASHER SHAKEPROOF EXT 5/16 STL |
| 13 | 061012 | 1 | PLUG STD PIPE 1/8 SOCKET HEAD |
| 14 | 0A6751 | 1 | SWITCH HI-TEMP 245D X 3/8NPT |
| 15 | 033472 | 3 | RIVET POP .125 X .400 AL |
| 16 | 0E6729 | 1 | STARTER 12V |
| 17 | 0E6703 | 1 | COVER FLYWHEEL ACCESS 3.0L HSB |
| 18 | 0E6667 | 1 | ENGINE ADAPTER 3.0L FORD |
| 19 | 0F3903 * | 1 | FLEX PLATE 2 POLE 3.0L FORD (3600 RPM) |
| | 0E5048 | 1 | FLEXPLATE HSB 3.0L FORD (1800 RPM) |
| 20 | 035579 | 1 | BUSHING REDUCER 1/4 TO 1/8 |
| 21 | 0A8584 | 1 | SWITCH OIL PRESSURE 10 PSI 2 POL |
| 22 | 0C7649 | 1 | CLAMP HOSE .38-.87 |
| 23 | 069860E | 1 | HOSE DRAIN ASSY 28" |
| 24 | 083896 | 6 | WASHER LOCK 1/4-M6 SS |
| 25 | 084929 | 6 | WASHER FLAT 1/4 SS |
| 26 | 0F3844 | 6 | WASHER FLAT .45 X 1.00 |
| 27 | 0F6151 | 1 | CAP RUBBER |
| 28 | 057823 | 1 | CLAMP HOSE #10 .56-1.06 |
| 29 | 043790 | 1 | BARBED EL 90 3/8 NPT X 3/8 |
| 30 | 047411 | 4 | SCREW HHC M6-1.0 X 16 G8.8 |
| 31 | 022097 | 4 | WASHER LOCK M6-1/4 |
| 32 | 022473 | 4 | WASHER FLAT 1/4-M6 ZINC |
| 33 | 057765 | 1 | ADAPTER M14-1.50 X 3/8 NPT |
| 34 | 040976 | 8 | SCREW SHC M8-1.25 X 20 G12.9 |
| 35 | 022129 | 12 | WASHER LOCK M8-5/16 |
| 36 | 022145 | 5 | WASHER FLAT 5/16-M8 ZINC |
| 37 | 057772 | 1 | WASHER NYLON .565 |
| 38 | 057645 | 3 | SCREW HHC M10-1.5 X 50 G8.8 |
| 39 | 0D9913 | 12 | SCREW SHC M8-1.25 X 35 SS |
| 40 | 059980 | 4 | SCREW HHC M10-1.5 X 25 G10.9 (1800 RPM ONLY) |
| 41 | 0D5417 | REF. | SCREW HHC M10-1.0 X 25 G10.9 |
| 42 | 046526 | 14 | WASHER LOCK M10 (1800 RPM ONLY) |
| | 046526 * | 9 | WASHER LOCK M10 (3600 RPM ONLY) |
| 44 | 059982 | 4 | SCREW SHC M12-1.75 X 45 G10.9 |
| 45 | 098780 | 2 | SCREW HHC M12-1.75 X 65 G8.8 |
| 46 | 051769 | 2 | WASHER LOCK M12 |
| 47 | 049808 | 2 | WASHER FLAT M12 |
| 48 | 051430 | 6 | WASHER SHAKEPROOF INT 1/2 |
| 49 | 045773 | 2 | NUT HEX M12-1.75 G8 YEL CHR |
| 50 | 085296 | 6 | SCREW HHC 1/4-20 X 1/2 SS |
| 51 | 0E7202 | 2 | HEAT SHIELD 260 X 80 HOT |
| 52 | 0E5527 | 2 | MANIFOLD EXHAUST 3.0L FORD |
| 53 | 0E7163 | 2 | GASKET EXHAUST 3.0L FORD |
| 54 | 0F6840 * | 1 | HARN ENG 3.0L 3600RPM R-100 (NOT SHOWN) (3600 RPM) |
| | 0F6841 | 1 | HARN ENG 3.0L 1800RPM R-100 (NOT SHOWN) (1800RPM) |
| 55 | 0F6809 | 1 | ADAPTER, WATER PUMP |
| 56 | 039253 | 1 | SCREW HHC M8-1.25 X 20 G8.8 |
| 57 | 0F6833 | 2 | SPACER .44 X .87 X 1.14 AL |
| 59 | 070008 | 12 | WASHER FLAT M8 SS |
| 60 | 070006 | 12 | WASHER LOCK M8 SS |
| 61 | 0F5114 | 1 | DECAL REFER TO OWNERS MANUAL |
| 62 | 0F5966 | 1 | REFLECTIVE HEAT SHIELD 3.0L FD |
| 63 | 022985 | 3 | WASHER FLAT #6 ZINC |
| 64 | 057822 | 1 | CLAMP HOSE #8 .53-1.00 |
| 65 | 059057 | 1 | HOSE 3/4 ID SAE-30R2 (14" LG) |
| 66 | 057795A | 1 | BARBED EL 90 3/4 PLASTIC |
| 67 | 057796 | 1 | GROMMET |
| 68 * | 0E6313A * | 1 | SPACER PULLEY 3.0L FORD (FD) (3600 RPM ONLY) |
| 69 | 049541 | 2 | SCREW HHC M10-1.5 X 35 G8.8 |
| 70 | 026925 | 1 | PLUG STD PIPE 3/8 STEEL SQ HD |
| 71 | 0F3217 | 1 | SPACER DC ALTERNATOR PULLEY |

* FOR 3600 RPM UNITS ONLY

GROUP D



EXPLODED VIEW:
C2 COOLING SYSTEM & FAN DRIVE
DRAWING #: 0F6879

EXPLODED VIEW: C2 COOLING SYSTEM & FAN DRIVE
DRAWING #: 0F6879

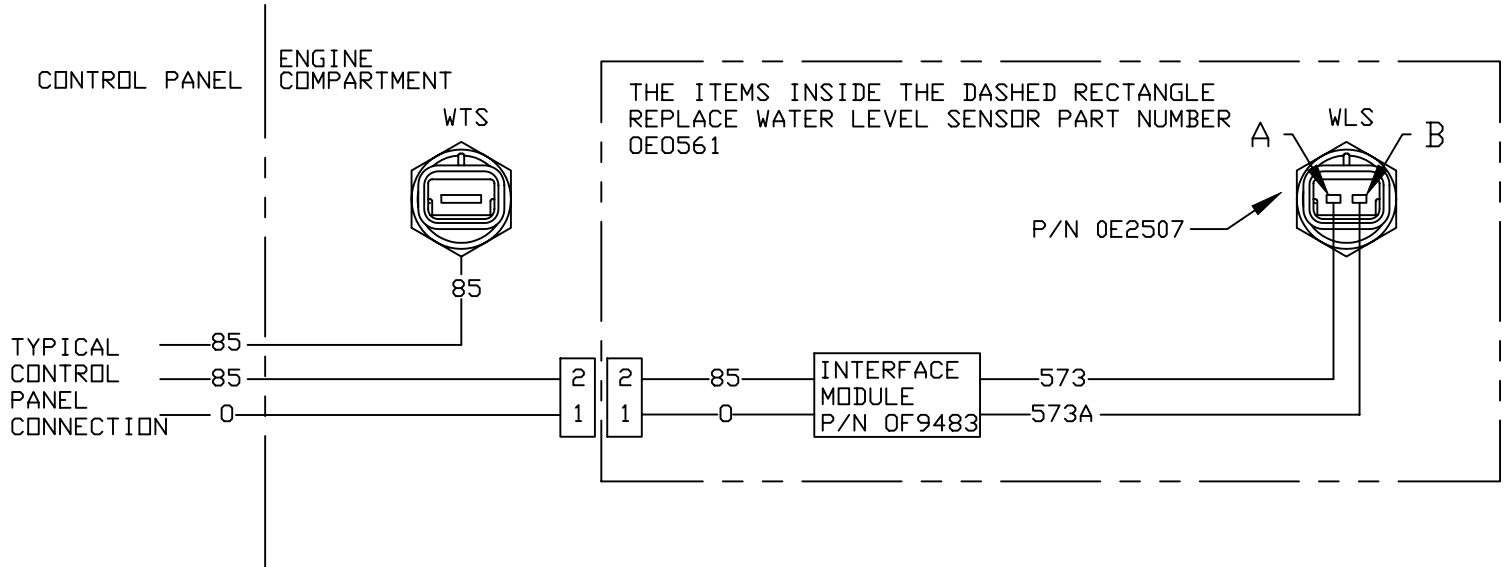
GROUP D

APPLICABLE TO:

| ITEM | PART # | QTY. | DESCRIPTION |
|-------------|---------------|-------------|---|
| 1 | 0F3203A | 1 | WELDMENT RAD SUPPORT 3.0L C2 |
| 2 | 035685 | 6 | CLAMP HOSE #28 1.32-2.25 |
| 3 | 0F2608A | 1 | RADIATOR 598 X 568 X 49,CPL LH |
| 4 | 0F6761 | 1 | HOSE UPPER RAD CPL C2 3.0L |
| 5 | 0F3228 | 1 | HOSE LOWER RAD CPL C2 3.0L |
| 6 | 0F5143 | 1 | SPACER FAN 3.0L C2 |
| 7 | 0F0230A | 1 | FAN COOLING 16" DIA 8 BLADE |
| 8 | 045764 | 1 | SCREW HHTT M4-0.7 X 8 BP |
| 9 | 065852 | 1 | SPRING CLIP HOLDER .37-.62 |
| 10 * | 069811 | REF. | CAP HEX 1/4 NPT BRASS |
| 11 | 0F3312 | 1 | DUCT INNER DISCHARGE TOP C2 |
| 12 | 0C2454 | 13 | SCREW THF M6-1 X 16 N WA Z/J |
| 13 | 039253 | 4 | SCREW HHC M8-1.25 X 20 G8.8 |
| 14 | 022129 | 12 | WASHER LOCK M8-5/16 |
| 15 | 022145 | 4 | WASHER FLAT 5/16-M8 ZINC |
| 17 | 022097 | 10 | WASHER LOCK M6-1/4 |
| 18 | 0C8566 | 8 | SCREW HHFC M6-1.0 X 20 G8.8 |
| 19 | 0E3257 | 4 | SCREW HWHTF M6-1.0 X 16 |
| 20 | 0F3313 | 1 | DUCT INNER DISCHARGE C2 |
| 21 | 080712 | 1 | BRKT COOLANT RECOVERY TANK |
| 22 | 076749 | 1 | TANK COOLANT RECOVERY |
| 23 | 048031C | 1 | CLAMP HOSE BAND 1/4 |
| 24 | 0F4051D | 3 | INSULATION INNER DUCT |
| 25 | 0F4073C | 1 | INSUL DUCT SIDE OR INNER DUCT |
| 26 | 0F3890 | 3 | RETAINER INSULATION (450) |
| 27 | 0F3890C | 2 | RETAINER INSULATION (220) |
| 28 | 0F3072 | 10 | INSULATION RETAINMENT HANGER |
| 29 | 078115 | 10 | WASHER SELF LOCKING DOME |
| 30 | 089961 | 1 | FOAM STRIP 3/4" WIDE X 3/16" THK (46" LG) |
| 31 | 052250 | 2 | TAPE FOAM 1 X 1 (22.5" LG) |
| 32 | 069860E | 1 | HOSE DRAIN ASSY 28" |
| 33 | 0F8085 | 1 | GUARD FAN C2 CPL, BOTTOM |
| 34 | 0C7649 | 1 | CLAMP HOSE .38-.87 |
| 35 | 055596 | 1 | BARBED STR 3/8 NPT X 3/8 |
| 36 | 089685 | 1 | GROMMET .75 X .12 X .50 |
| 37 | 0E0561 | 1 | ASSY WATER LEVEL SENSOR C/E PL |
| 38 | 0F8085A | 1 | GUARD FAN C2 CPL TOP |
| 39 | 055934V | 2 | CLAMP VINYL 1.5 X .281 Z |
| 40 | 092079 | 2 | SCREW HHTT M6-1.0 X 25 BP |
| 42 | 076340 | 2 | SCREW HHFC M6-1.0 X 16 G8.8 |
| 43 | 0F6657 | 2 | SUPPORT TUBE RADIATOR |
| 44 | 0F6631 | 1 | HOSE RADIATOR ENGINE |
| 45 | 0F6746 | 1 | TUBE UPPER COOLANT C4 3.0L |
| 46 | 090283 | 1 | CAP RADIATOR 13 PSI |
| 47 | 0F8651 | 8 | SCREW HHFC M8-1.25 X 20 W/M6 |

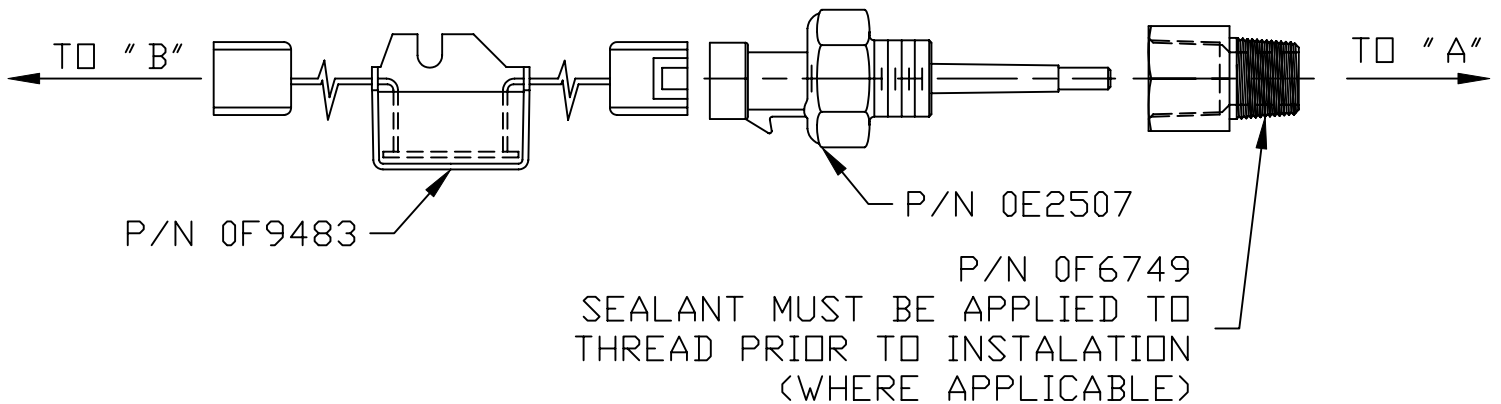
* ITEM #10 IS INCLUDED WITH ITEM #32.

GROUP D



WIRING DIAGRAM FOR NEW COOLANT LEVEL SENSOR

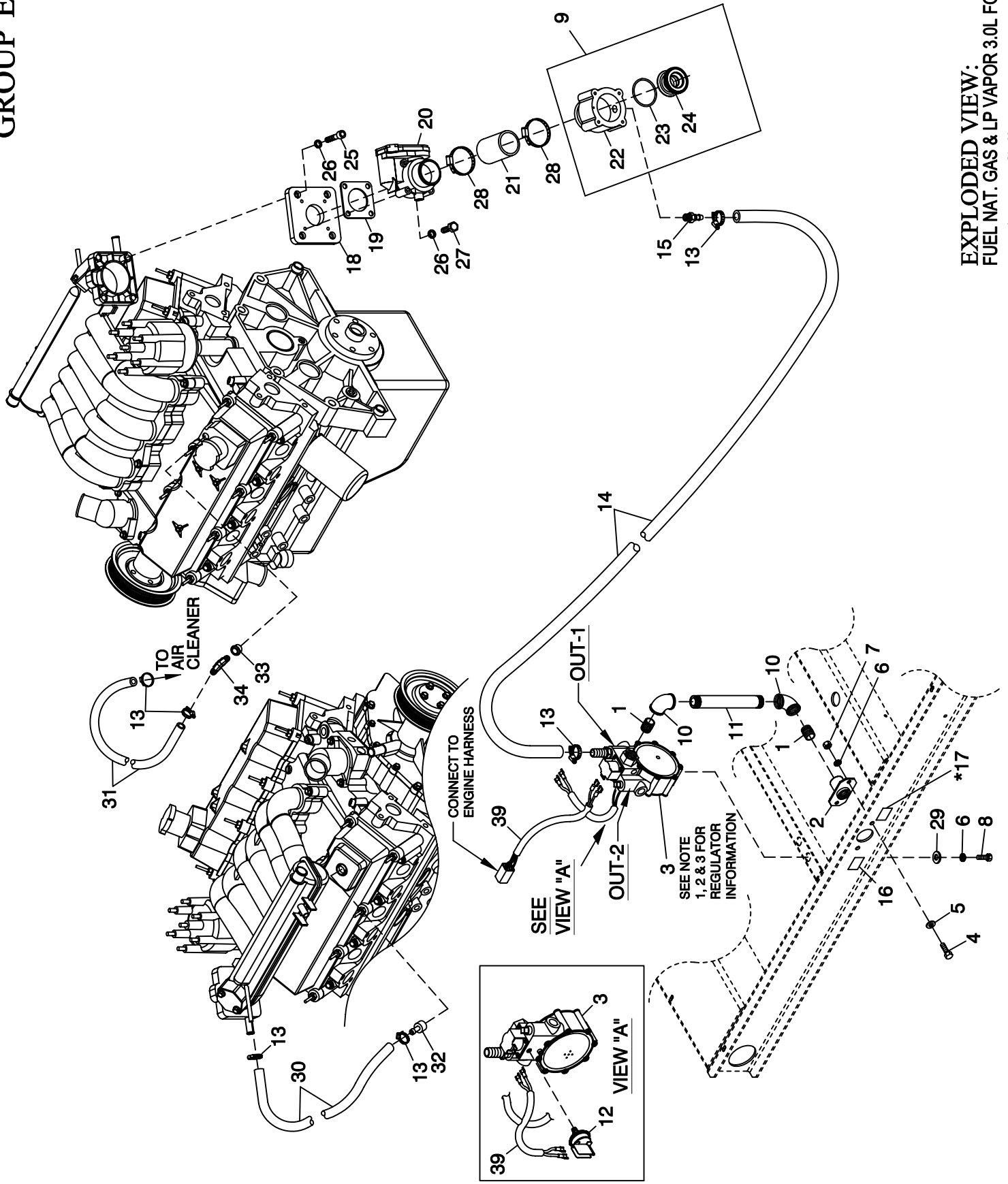
MECHANICAL DIAGRAM FOR NEW COOLANT LEVEL SENSOR INSTALATION



"A" = EXISTING COOLANT LEVEL SENSOR LOCATION ON UNIT
 "B" = EXISTING COOLANT LEVEL SENSOR WIRE HARNESS CONNECTOR

BLANK PAGE

GROUP E



EXPLODED VIEW:
 FUEL NAT. GAS & LP VAPOR 3.0L FORD 4-POLE
 DRAWING #: 0F3521

EXPLODED VIEW: FUEL NAT. GAS & LP VAPOR 3.0L FORD 4-POLE
DRAWING #: 0F3521

GROUP E

APPLICABLE TO:

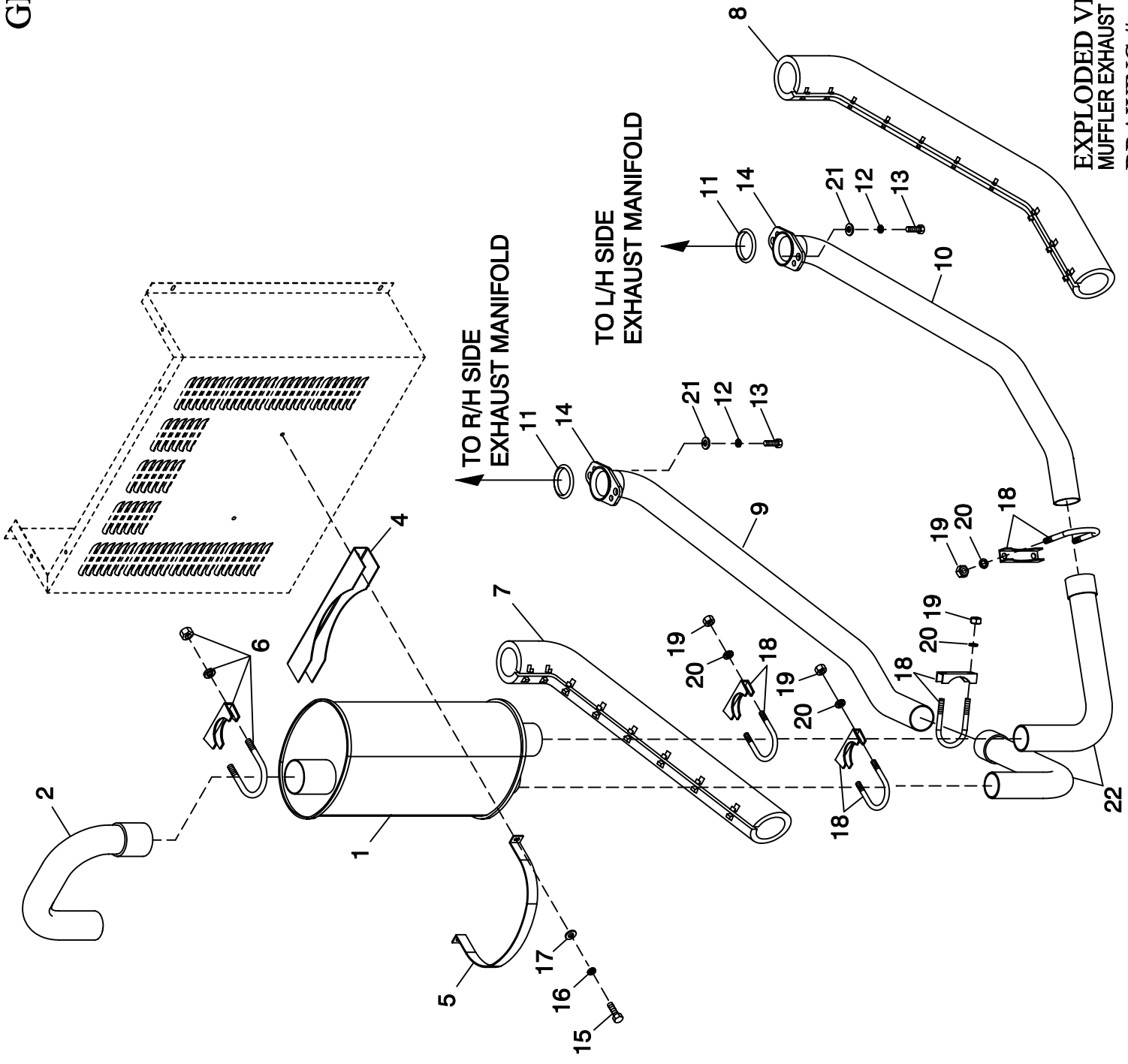
| ITEM | PART # | QTY. | DESCRIPTION |
|------|---------|--------|--|
| 1 | 026915 | 2 | NIPPLE CLOSE 3/4 X 1.375 |
| 2 | 075580 | 1 | FLANGE FUEL INLET |
| 3 | 0F6390 | 1 | REGULATOR ASSEMBLY DUAL FUEL |
| 4 | 039253 | 2 | SCREW HHC M8-1.25 X 20 G8.8 |
| 5 | 022145 | 2 | WASHER FLAT 5/16-M8 ZINC |
| 6 | 022129 | 4 | WASHER LOCK M8-5/16 |
| 7 | 045771 | 2 | NUT HEX M8-1.25 G8 CLEAR ZINC |
| 8 | 042907 | 2 | SCREW HHC M8-1.25 X 16 G8.8 |
| 9 | 0E9295A | 1 | ASSY THROTTLE 27MM |
| 10 | 026812 | 2 | ELBOW 90D 3/4NPT |
| 11 | 025424 | 1 | NIPPLE PIPE 3/4NPT X 6 |
| 12 | 0F3869 | 1(REF) | SWITCH, PRESSURE GAS 5" RISE (INCLUDED WITH I/N 3) |
| 13 | 057823 | 6 | CLAMP HOSE #10 .56 - 1.06 |
| 14 | 059194 | 1 | HOSE 5/8 ID LPG & NG (31.5" LG) |
| 15 | 044117 | 1 | BARBED STR 3/8 NPT X 5/8 |
| 16 | 0D1509 | 1 | DECAL INLET PRESSURE |
| 17* | 050279 | 1 | DECAL FUEL INLET NG (NATURAL GAS APPLICATION) |
| | 050280 | 1 | DECAL FUEL INLET LPG (LP VAPOR APPLICATION) |
| 18 | 0E6123 | 1 | INTAKE ADAPTER 3.0L FORD-BOSCH |
| 19 | 0E6586 | 1 | GASKET BOSCH 32 |
| 20 | 0E4395 | 1 | ACTUATOR BOSCH 32 GOVERNOR |
| 21 | 057753B | 1 | HOSE 1.5 ID X 2 LG 20R4 |
| 22 | 0E6382A | 1(REF) | VENTURI HOLDER W/32MM ACTUATOR |
| 23 | 0E7121 | 1(REF) | O-RING 47.625 ID X 2.38 WIDTH |
| 24 | 0E6376A | 1(REF) | VENTURI, 27 ID THROTTLE W/CHOKE |
| 25 | 047487 | 4 | SCREW SHC M6-1.0 X 18 G12.9 |
| 26 | 022097 | 8 | WASHER LOCK M6-1/4 |
| 27 | 051751 | 4 | SCREW HHC M6-1.0 X 50 G8.8 |
| 28 | 035685 | 2 | CLAMP HOSE #28 1.32-2.25 |
| 29 | 0A2038 | 2 | WASHER FLAT 3/8 ZINC |
| 30 | 047290 | 1 | HOSE 3/8 ID SINGLE BRAID (305mm [12"] LONG) |
| 31 | 047290 | 1 | HOSE 3/8 ID SINGLE BRAID (432mm [17"] LONG) |
| 32 | 0A4121 | 1 | VALVE PCV |
| 33 | 0E6609 | 1 | GROMMET ROCKER COVER 3.0LFORD |
| 34 | 049099 | 1 | BARBED EL 90 3/8 X 3/8 PLST |
| 35** | 055934M | 1 | CLAMP VINYL .75 X .343 Z |
| 36** | 047411 | 1 | SCREW HHC M6-1.0 X 16 G8.8 |
| 37** | 022097 | 1 | WASHER LOCK M6-1/4 |
| 38** | 022473 | 1 | WASHER FLAT 1/4-M6 ZINC |
| 39 | 0F6155 | 1 | HARNES, CPL FUEL JUMPER |

NOTES:

- REGULATOR (I/N 3) AS SHOWN IN ILLUSTRATION IS SET UP FOR NATURAL GAS APPLICATION.
- TO CONFIGURE REGULATOR FOR LP VAPOR, SWITCH HOSE BARB, HOSE CLAMP (I/N 13) AND HOSE (I/N 14) FROM "OUT-1" TO "OUT-2". REPLACE PIPE PLUG FROM "OUT-2" TO "OUT-1". USE PIPE SEALANT ON HOSE BARB AND PIPE PLUG. MAKE SURE TO KEEP PORTS FREE FROM DEBRIS DURING RECONFIGURATION PROCESS.
- FOR LP VAPOR APPLICATION SUBSTITUE LPG FUEL INLET DECAL P/N 050280 FOR NG FUEL INLET DECAL P/N 050279 (ITEM17).
- WHEN SWITCHING FUEL TYPES, THE PROPER DIP SWITCH SITTINGS MUST BE MADE TO THE CONTROL PANEL. SEE OWNERS MANUAL, FUEL SECTION FOR MORE DETAILS.

** NOT SHOWN-USED TO HOLD #31 IN PLACE

GROUP F



EXPLODED VIEW:
MUFFLER EXHAUST 3.0L CPL 30KW C2
DRAWING #: 0F3523

EXPLODED VIEW: MUFFLER EXHAUST 3.0L CPL 30KW C2
DRAWING #: 0F3523

GROUP F

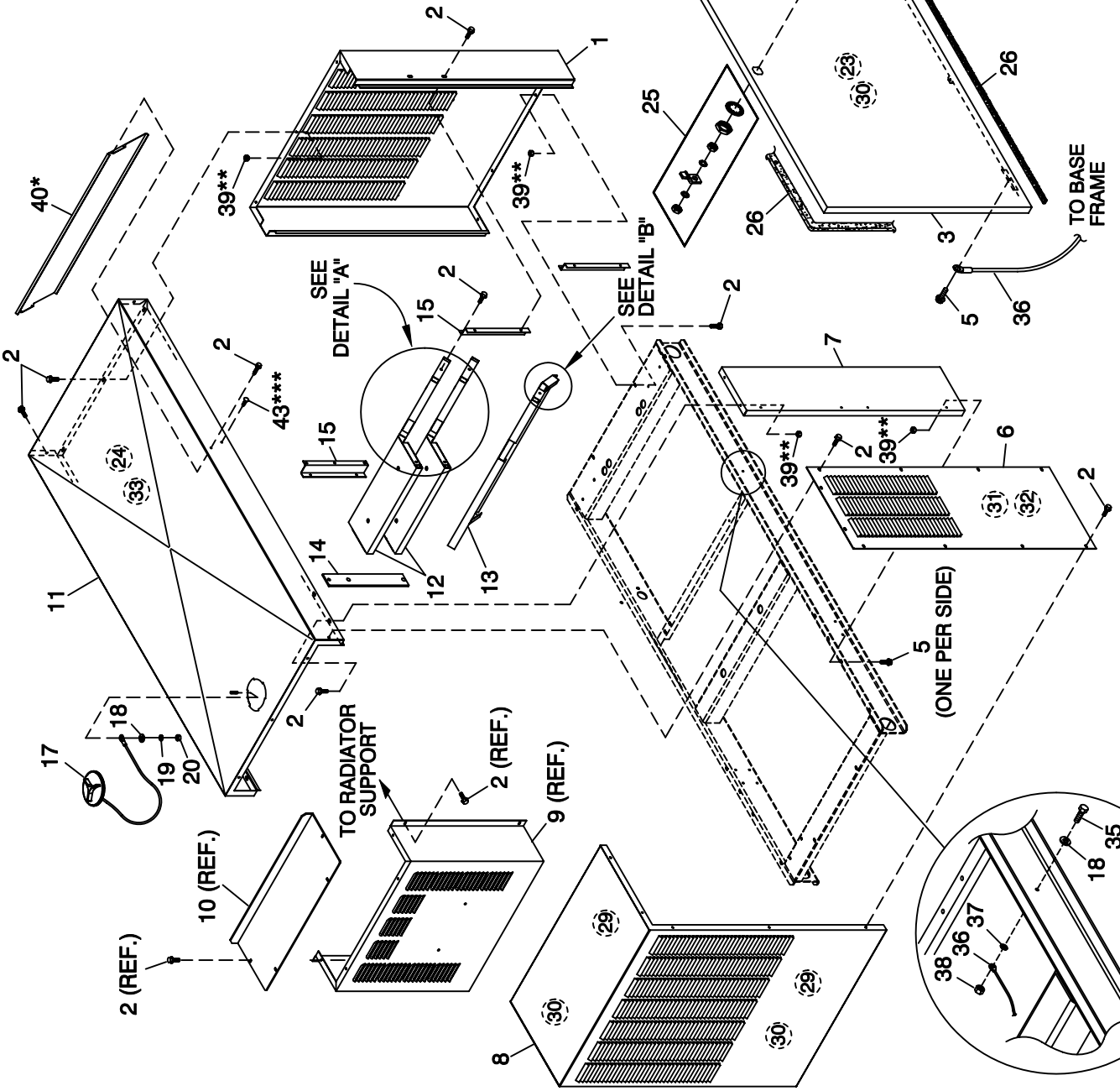
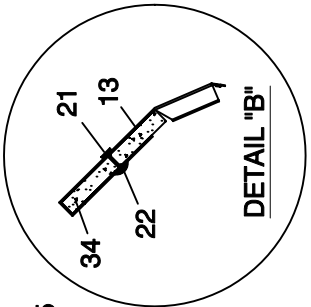
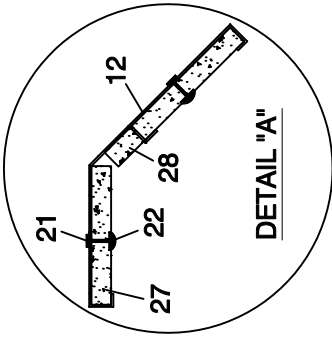
APPLICABLE TO:

| ITEM | PART # | QTY. | DESCRIPTION |
|-------------|---------------|-------------|------------------------------------|
| 1 | 0F0738 | 1 | MUFFLER 7" X 9"-(2) 2" IN/2.5" OUT |
| 2 | 0F2808B | 1 | PIPE EXHAUST MUFFLER |
| 4 | 0F2830 | 1 | MUFFLER BRACKET STIFFENER |
| 5 | 0F2962 | 1 | MUFFLER STRAP |
| 6 | 080762 | 1 | BOLT U 3/8-16 X 2.62 |
| 7 | 0E0170B | 1 | EXHAUST BLANKET 800MM (C2) |
| 8 | 0E0170 | 1 | EXHAUST BLANKET 750MM (C2) |
| 9 | 0F4343 | 1 | EXHAUST PIPE 3.0L C2 CPL RH |
| 10 | 0F4344 | 1 | EXHAUST PIPE 3.0L C2 CPL LH |
| 11 | 044149 | 2 | GASKET EXHAUST RING |
| 12 | 085917 | 4 | WASHER LOCK 3/8 SS |
| 13 | 0D2611 | 4 | SCREW HHC 3/8-16 X 1-3/4 SS |
| 14 | 0E8816 | 2 | EXHAUST FLANGE 2" PIPE |
| 15 | 047411 | 2 | SCREW HHC M6-1.0 X 16 G8.8 |
| 16 | 022097 | 2 | WASHER LOCK M6-1/4 |
| 17 | 022473 | 2 | WASHER FLAT 1/4-M6 ZINC |
| 18 | 036797 | 4 | BOLT U 5/16-18 X 2.25 |
| 19 | 024114 | 8 | NUT HEX 5/16-24 STEEL |
| 20 | 022129 | 8 | WASHER LOCK M8-5/16 |
| 21 | 088775 | 4 | WASHER FLAT 3/8 SS |
| 22 | 0F7100 | 2 | PIPE EXHAUST ELBOW 3.0L C2 |

GROUP F

○ INSULATION AND RETAINERS LOCATED ON THE NEAR SIDE.
 ○ INSULATION AND RETAINERS LOCATED ON THE FAR SIDE.
 ○ TYPICAL MOUNTING OF ACOUSTIC INSULATION. SEE DETAIL "A" AND "B" FOR SPLITTER VARIATIONS.

RETAINER (30) (32) (33)



EXPLODED VIEW:
 ENCLOSURE C2
 DRAWING #: 0F7887

EXPLODED VIEW: ENCLOSURE C2

DRAWING #: 0F7887

GROUP F

APPLICABLE TO:

| ITEM | PART # | QTY. | DESCRIPTION |
|-------------|---------------|-------------|-----------------------------------|
| 1 | 0F5853 (XX) | 1 | REAR WRAP C2 |
| 2 | 0C2454 | 68 | SCREW THF M6-1 X 16 N WA Z/JS |
| 3 | 0F5849 (XX) | 2 | DOOR C2 |
| 4 | 087233 | 2 | RIVET POP .1875 X .450 SS |
| 5 | 0E3257 | 4 | SCREW TH-FRM M6 W/CAP SHKPRF W |
| 6 | 0F5852 (XX) | 2 | DISCHARGE DUCT,LH & RH SIDE C2 |
| 7 | 0F5850 (XX) | 2 | FRONT CORNERS C2 |
| 8 | 0F5851 (XX) | 1 | DISCHARGE CENTER DUCT C2 |
| 9 | 0F3313 | 1 (REF.) | DUCT INNER DISCHARGE C2 |
| 10 | 0F3312 | 1 (REF.) | DUCT INNER DISCHARGE TOP C2 |
| 11 | 0F5848 | 1 | ROOF C2 ALUM |
| 12 | 0F2786 | 2 | SLITTER C4 |
| 13 | 0F2785 | 1 | SPLITTER LOWER C4 |
| 14 | 0F3364 | 1 | SPLITTER STINGER C2 |
| 15 | 0F4880 | 2 | SUPPORT SPLITTER LH C2 |
| 16 | 0F5049 | 2 | TAB PULL |
| 17 | 0C2634A | 1 | ASSEMBLY COVER ACCESS |
| 18 | 022473 | 3 | WASHER FLAT 1/4-M6 ZINC |
| 19 | 022097 | 1 | WASHER LOCK M6-1/4 |
| 20 | 022127 | 1 | NUT HEX 1/4-20 STEEL |
| 21 | 0F3072 | 16 | INSULATION RETAINMENT HANGER |
| 22 | 078115 | 48 | WASHER SELF LOCKING DOME |
| 23 | 0F4051 | 2 | INSULATION DOOR C2 |
| 24 | 0F4051A | 1 | INSULATION ROOF TOP |
| 25 | 0F5048 | 2 | LATCH VISE ACTION 5/16HEX SOCK |
| 26 | 0E5968 | 1 | GASKET EXTRUDED TRIM (440.64" LG) |
| 27 | 0F3760K | 2 | INSULATION SPLITTER |
| 28 | 0F3760E | 2 | INSULATION SPLITTER |
| 29 | 0F4051C | 2 | INSULATION DUCT |
| 30 | 0F3890B | 8 | RETAINER INSULATION (820) |
| 31 | 0F4051B | 2 | INSULATION DUCT SIDES |
| 32 | 0F3890 | 4 | RETAINER INSULATION (450) |
| 33 | 0F3890A | 3 | RETAINER INSULATION (740) |
| 34 | 0F3760L | 1 | INSULATION LOWER SPLITTER |
| 35 | 042568 | 2 | SCREW HHC M6-1.0 X 20 G8.8 |
| 36 | 0912970094 | 2 | ASSY WIRE 14 AWG 34.8" GRN/YEL |
| 37 | 022447 | 2 | WASHER SHAKEPROOF INT 1/4 |
| 38 | 049813 | 2 | NUT HEX M6 X 1.0 G8 YEL CHR |
| 39** | 077992 | 21 | NUT HEX LOCK M6-1.0 SS NY INS |
| 40* | 0F6321 | 1 | ROOF RAIN DEFLECTOR |
| 43*** | 0C3397 | 4 | FASTENER RATCHET |

OPTIONAL COMPARTMENT MATERIALS:

ALL P/N'S WITH AN (XX) SUFFIX INDICATE A MULTIPLE MATERIAL AND COLOR OPTION.
USE THE FOLLOWING LEGEND TO IDENTIFY THE CORRECT PART NUMBER:

| PART NO. | MATERIAL | COLOR |
|-----------------|-----------------|--------------|
| 0XXXXXSN | STEEL | TAN |
| 0XXXXXAN | ALUMINUM | TAN |
| 0XXXXXSG | STEEL | GRAY |
| 0XXXXXAG | ALUMINUM | GRAY |

* 3.9L ONLY

** ALUMINUM ENCLOSURE NOTE: ALL ENCLOSURE PANELS THAT FASTEN TO THE BASE FRAME MUST BE SECURED USING ITEM 2 & 5 THREAD FORMING FASTENER AND ITEM 39 LOCK NUT. LOCK NUT IS TO BE INSTALLED AFTER THREAD FORMING FASTENER HAS PENETRATED THROUGH EXTRUSIONS IN ENCLOSURE PANELS. ALL ROOF PANELS ARE TO BE SECURED IN THE SAME MANNER.

*** 3.0L ONLY