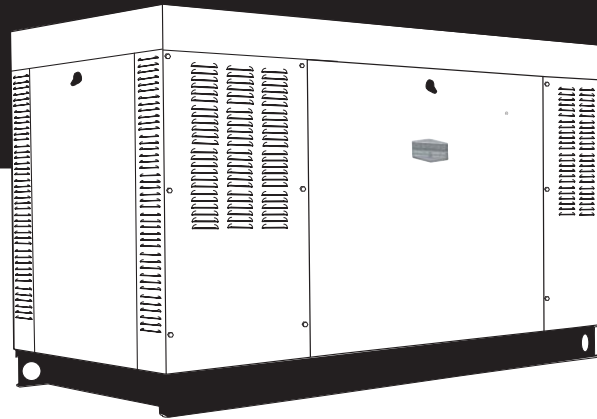


Serial Number

**QT
2.5L
25kW**

Model: 005213-0

**STANDBY GENERATOR
OWNER'S MANUAL**



A new standard of reliability

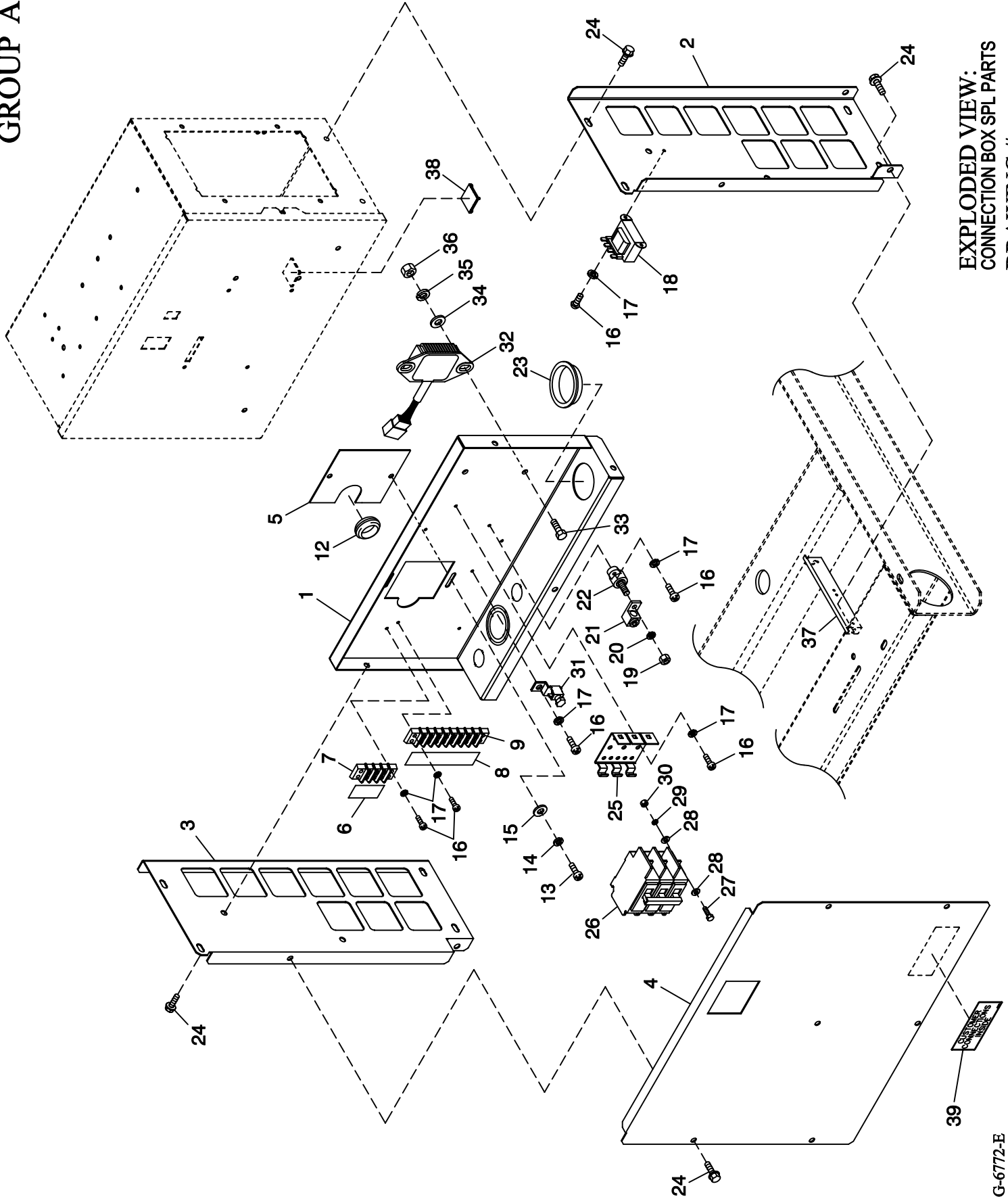
QUIETSOURCE™

— **⚠ CAUTION ⚠** —

ONLY QUALIFIED ELECTRICIANS OR CONTRACTORS SHOULD ATTEMPT INSTALLATION!

This manual should remain with the unit.

GROUP A



EXPLODED VIEW:
CONNECTION BOX SPL PARTS
DRAWING #: 0F7352

EXPLODED VIEW: CONNECTION BOX SPL PARTS

DRAWING #: 0F7352

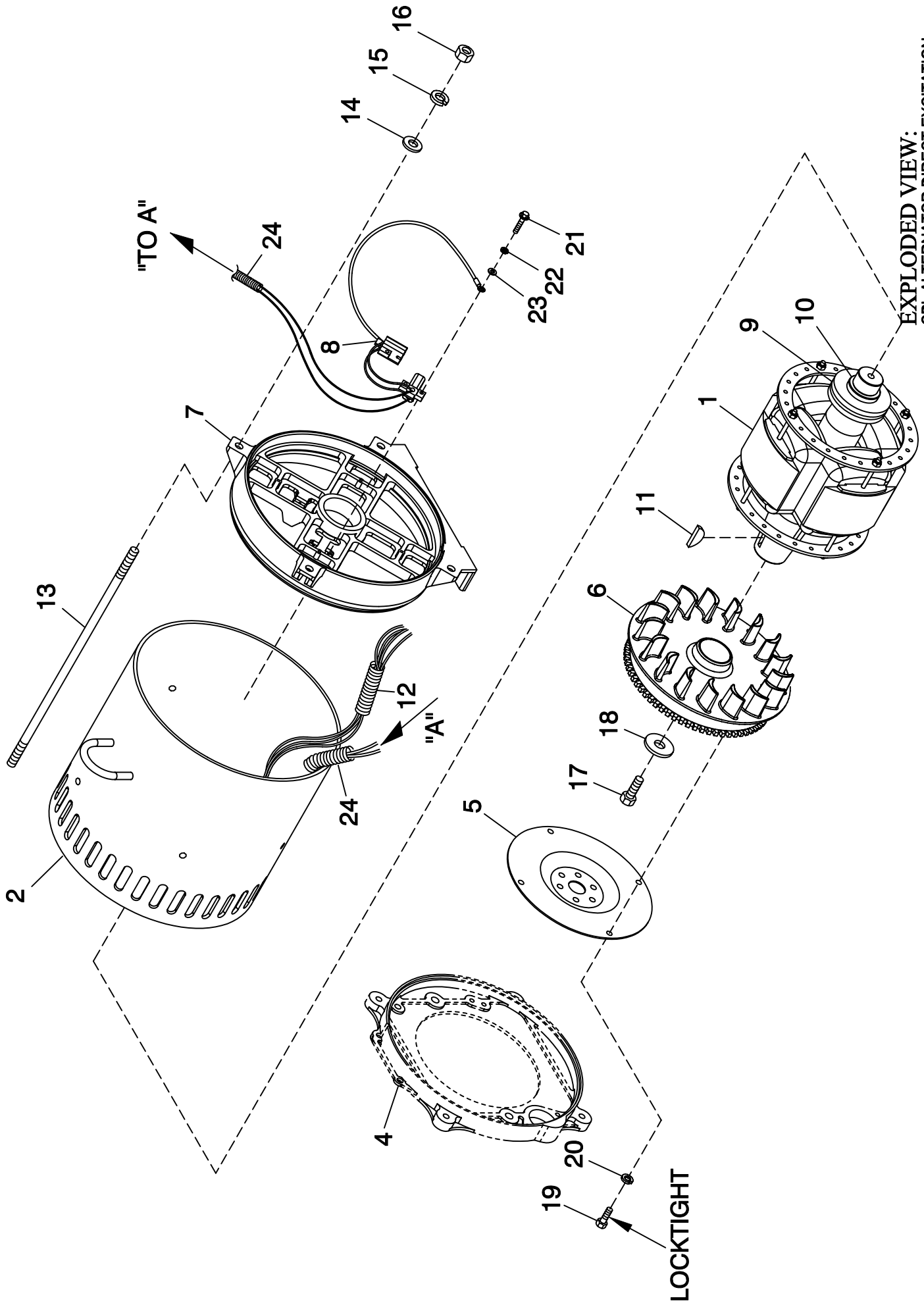
GROUP A

APPLICABLE TO:

| ITEM | PART # | QTY. | DESCRIPTION |
|------|---------|------|--|
| 1 | 0F7135 | 1 | BREAKER TRAY BACK/BOTTOM |
| 2 | 0F7022 | 1 | SUPPORT CONTROL PANEL SIDE RH |
| 3 | 0F7021 | 1 | SUPPORT CONTROL PANEL SIDE LH |
| 4 | 0F7260 | 1 | COVER CIRCUIT BREAKER 2P |
| | 0F7136 | 1 | COVER CIRCUIT BREAKER 3P |
| 5 | 0F6156 | 1 | PLATE WIRE SNGL GALV |
| 6 | 0F4464 | 1 | DECAL CUST CONN 120V UTILITY |
| 7 | 0D4698 | REF | BLOCK TERM 20A 6 X 3 X 1100V |
| 8 | 0F3824 | 1 | DECAL UTIL SENSE/CUST CONN |
| 9 | 057701 | REF | BLOCK TERM 20A 8 X 6 X 1100V |
| 10 | 0F6146 | 1 | HANG TAG 2 WIRE START (NOT SHOWN) |
| 12 | 081008 | 1 | GROMMET 1.25 X .25 X .75 |
| 13 | 0C2267 | 2 | SCREW HHTT M5-0.8 X 12 BP |
| 14 | 049226 | 2 | WASHER LOCK M5 |
| 15 | 051713 | 2 | WASHER FLAT M5 |
| 16 | 0C2212 | 11 | SCREW PHTT M4-0.7 X 16 ZYC |
| 17 | 022264 | 11 | WASHER LOCK #8-M4 |
| 18 | 0F6366A | 1 | XFMR DUAL 104V/16V (1 PHASE) |
| | 0F6366B | 1 | XFMR DUAL 120V/16V (3 PHASE) |
| 19 | 022241 | 1 | NUT HEX 3/8-16 STEEL |
| 20 | 022237 | 1 | WASHER LOCK 3/8 |
| 21 | 057329 | 1 | LUG SLDLSS 350-#6 X 13/32 AL/CU |
| 22 | 057073 | 1 | JUNCTION BLOCK 3/8-16 |
| 23 | 023484J | 1 | BUSHING SNAP SB-2000-26 |
| 24 | 0E3257 | 15 | SCREW HWHTF M6-1.0 X 16 |
| 25 | 0E7890 | REF | BRKT CB MTG BACK 2P |
| | 0E6002 | REF | MTG TRACK BQ SIEMENS CB 3P |
| 26 | 0D5544 | REF | CB 0100A 2P 240V S BQ2 LL (1.5L 2 POLE) |
| | 062812 | REF | CB 0080A 3P 240V S BQ3 LL (1.5L 3 POLE) |
| | 0A2077 | REF | CB 0125A 2P 240V S BQ2 LL (2.5L 2 POLE) |
| | 040532 | REF | CB 0100A 3P 240V S BQ3 LL (2.5L 3 POLE) |
| 27 | 052619 | REF | SCREW HHC M5-0.8 X 20 G8.8 (NOT SHOWN) |
| 28 | 023897 | REF | WASHER FLAT #10 ZINC (NOT SHOWN) |
| 29 | 049226 | REF | WASHER LOCK M5 (NOT SHOWN) |
| 30 | 051716 | REF | NUT HEX M5-0.8 G8 CLEAR ZINC (NOT SHOWN) |
| 31 | 025433 | 1 | LUG SLDLSS #6-14 X 13/64 CU |
| 32 * | 0A1354A | REF | REGULATOR - DC ALT |
| 33 * | 042568 | REF | SCREW HHC M6-1.0 X 20 G8.8 |
| 34 * | 022473 | REF | WASHER FLAT 1/4-M6 ZINC |
| 35 * | 022097 | REF | WASHER LOCK M6-1/4 |
| 36 * | 049813 | REF | NUT HEX M6 X 1.0 G8 YEL CHR |
| 37 * | 0F7194 | REF | BRACKET PANEL SUPPORT 1.5L C1 |
| 38 | 057593 | 1 | CABLE TIE MOUNT BLACK |
| 39 | 0F1733 | 1 | DECAL CUSTOMER CONNECT INSIDE |

* USED ON 1.5L ONLY.

GROUP A



**EXPLODED VIEW: CPL ALTERNATOR DIRECT EXCITATION
DRAWING #: 0F7491**

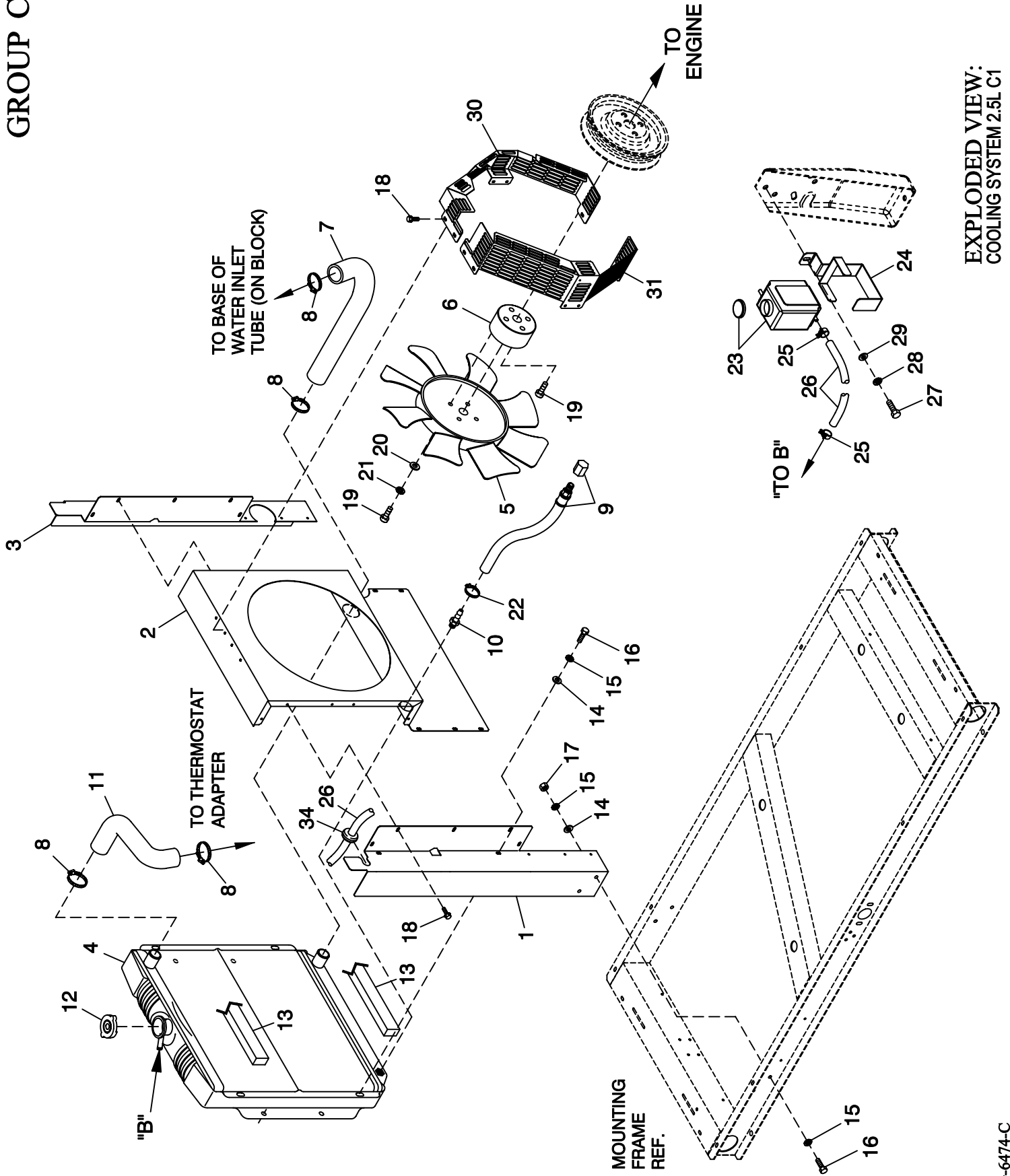
GROUP A

APPLICABLE TO:

| ITEM | PART # | QTY. | DESCRIPTION |
|-------------|---------------|-------------|--------------------------------|
| 1 | 0F7489 | 1 | ROTOR 30KW DIRECT 390 4P 1800 |
| | 0F7490 | 1 | ROTOR 25KW 3PH DIRECT 390 1800 |
| 2 | 0F7458A | 1 | STR 390 30AD1 HSB TECUM |
| | 0F7459 | 1 | ASSY STR 390 25 GD1 CPL |
| 3 | 0C9708 | REF | INSTR HYPOT TEST (NOT SHOWN) |
| 4 | SEE ENGINE EV | REF | ENGINE ADAPTER |
| 5 | SEE ENGINE EV | REF | FLEXPLATE |
| 6 | 0F7364B | 1 | ASSY FLYWHEEL CPL W/25MM FAN B |
| 7 | 0E5706 | 1 | REAR BEARING CARRIER 390/DRCT |
| 8 | 0F7874 | 1 | ASSY BRUSH HOLDER 390/HSB |
| 9* | 070892 | 1 | SLIP RING MACHINED |
| 10* | 047248 | 1 | BALL BEARING-45 MM |
| 11 | 023454 | 1 | KEY WOODRUFF #E |
| 12 | 077043E | 1 | CONDUIT FLEX 1.0"ID (20" LG) |
| 13 | 04576100BK | 4 | STUD M14-2.0 X 490 G5 ZINC |
| 14 | 052646 | 4 | WASHER FLAT M14 |
| 15 | 043123 | 4 | WASHER LOCK M14 |
| 16 | 051779 | 4 | NUT HEX M14-2.0 G8 YEL CHR |
| 17 | 0A2601 | 1 | SCREW HHC M16-2.0 X 45 G8.8 |
| 18 | 0A2602 | 1 | WASHER FLAT .688ID X 3.25OD |
| 19 | 0F8408 | 4 | SCREW HHC M10-1.50 X 16 G10.9 |
| 20 | 046526 | 4 | WASHER LOCK M10 |
| 21 | 0C3993 | 4 | SCREW HHTT M4-0.7 X 25 BP |
| 22 | 022264 | 4 | WASHER LOCK #8-M4 |
| 23 | 038150 | 4 | WASHER FLAT #8 ZINC |
| 24 | 077043B | 1 | CONDUIT FLEX .50"ID (16" LG) |

* ROTOR REPLACEMENT PARTS

GROUP C



EXPLODED VIEW:
COOLING SYSTEM 2.5L C1
DRAWING #: 0F7363

EXPLODED VIEW: COOLING SYSTEM 2.5L C1

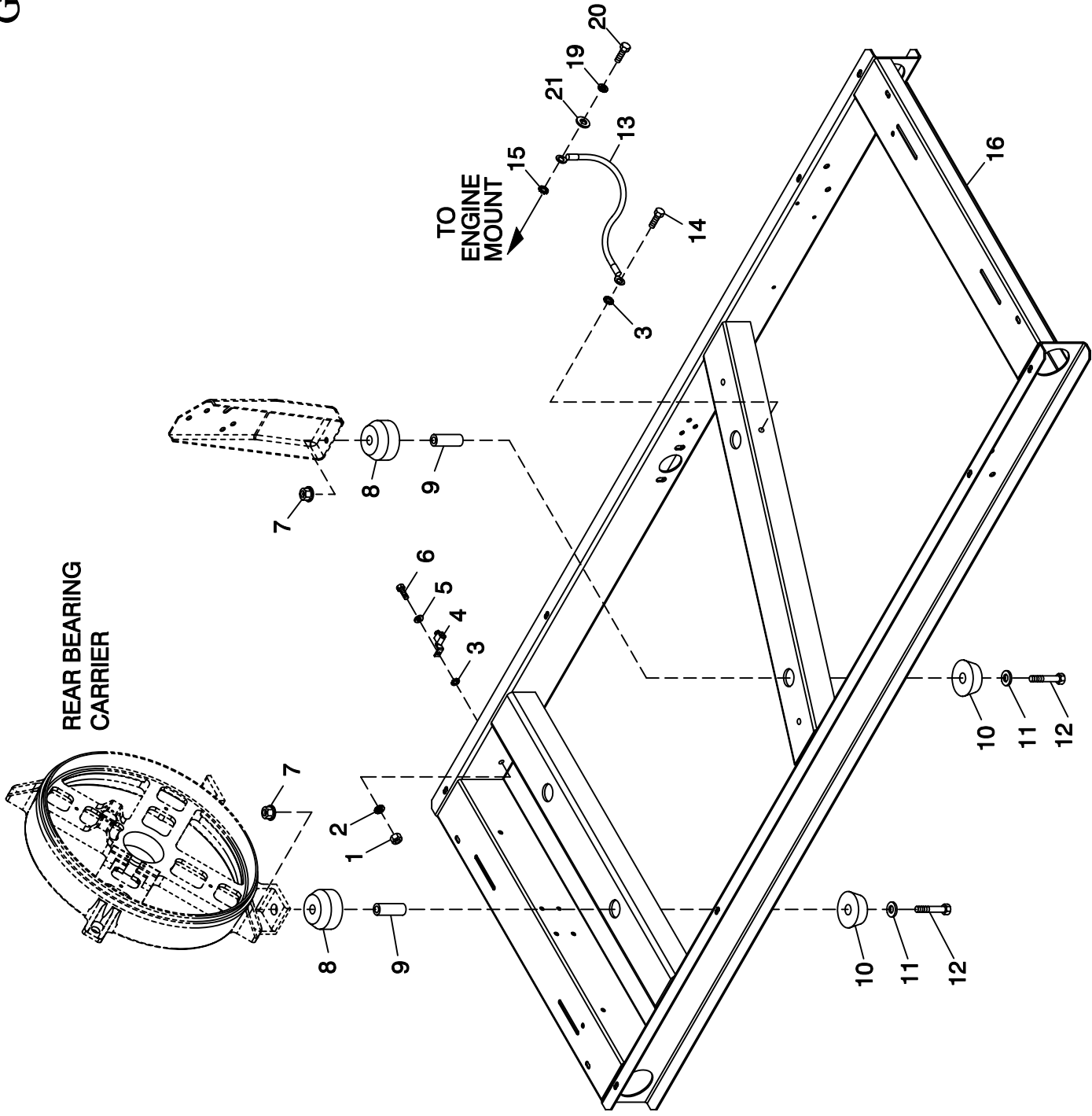
DRAWING #: 0F7363

GROUP C

APPLICABLE TO:

| ITEM | PART # | QTY. | DESCRIPTION |
|------|---------|------|--------------------------------|
| 1 | 0F7074 | 1 | SUPPORT RADIATOR LH SIDE |
| 2 | 0F7076 | 1 | VENTURI 16" DIA. FAN |
| 3 | 0F7075 | 1 | SUPPORT RADIATOR RH SIDE |
| 4 | 0E9837A | 1 | RADIATOR 2.5L CPL |
| 5 | 0F0230A | 1 | FAN COOL 16" DIA 8 BLADE |
| 6 | 0F7130 | 1 | SPACER FAN 2.5L C1 |
| 7 | 0E9833 | 1 | HOSE 2.5L FORD LOWER RADIATOR |
| 8 | 099502 | 4 | CLAMP HOSE #24 B1.06-2.00 |
| 9 | 069860C | 1 | HOSE OIL DRAIN ASSY 21" |
| 10 | 035461 | 1 | BARBED STR 1/4 NPT X 3/8 |
| 11 | 0F0127 | 1 | HOSE UPPER RADIATOR 174MM TAL |
| 12 | 046627 | 1 | CAP RADIATOR |
| 13 | 052250 | 2 | TAPE FOAM 1 X 1 (20" LG) |
| 14 | 022473 | 4 | WASHER FLAT 1/4-M6 ZINC |
| 15 | 022097 | 12 | WASHER LOCK M6-1/4 |
| 16 | 0C8566 | 8 | SCREW HHFC M6-1.0 X 20 G8.8 |
| 17 | 049813 | 4 | NUT HEX M6 X 1.0 G8 YEL CHR |
| 18 | 0C2454 | 24 | SCREW THF M6-1 X 16 N WA Z/JS |
| 19 | 040976 | 8 | SCREW SHC M8-1.25 X 20 G12.9 |
| 20 | 022145 | 4 | WASHER FLAT 5/16-M8 ZINC |
| 21 | 022129 | 4 | WASHER LOCK M8-5/16 |
| 22 | 0C7649 | 1 | CLAMP HOSE .38-.87 |
| 23 | 076749 | 1 | TANK COOLANT RECOVERY |
| 24 | 0F1433 | 1 | BRACKET 2.5L FORD WATER BOTTLE |
| 25 | 048031C | 2 | CLAMP HOSE BAND 1/4 |
| 26 | 029032 | 1 | HOSE 9/32 ID (40" LG) |
| 27 | 049814 | REF. | SCREW HHC M10-1.5 X 25 G8.8 |
| 28 | 046526 | REF. | WASHER LOCK M10 |
| 29 | 022131 | REF. | WASHER FLAT 3/8-M10 ZINC |
| 30 | 0F7307 | 1 | GUARD FAN RH C1 CPL |
| 31 | 0F7308 | 1 | GUARD FAN LH C1 CPL |
| 34 | 029107 | 1 | GROMMET 7/8 X 3/16 X 5/8 |

GROUP C



REAR BEARING
CARRIER

TO ENGINE
MOUNT

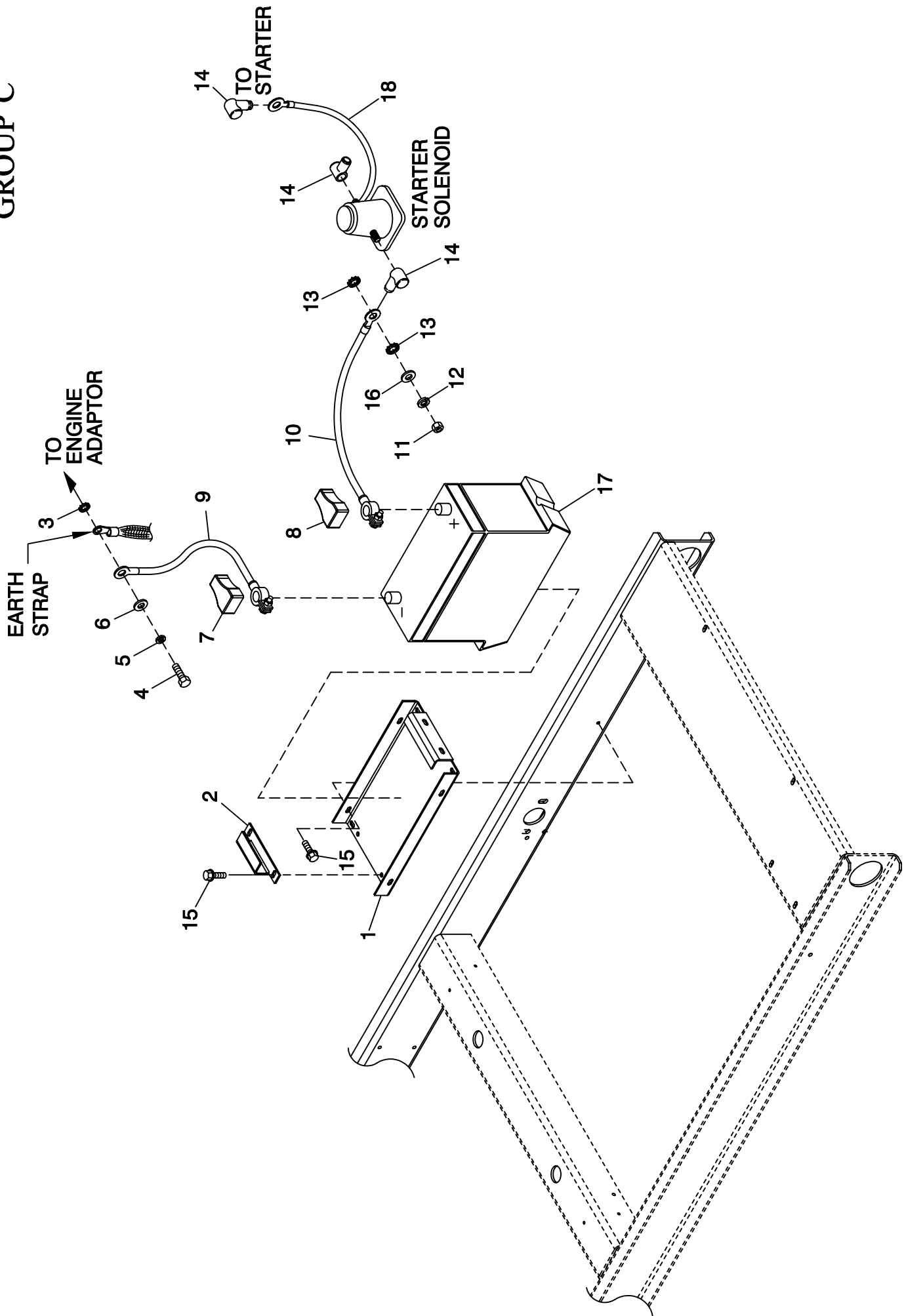
EXPLODED VIEW:
MOUNTING BASE 2.5L FORD
DRAWING #: 0F7416

REVISION: G-6148-A
DATE: 8/10/05

EXPLODED VIEW: MOUNTING BASE 2.5L FORD**DRAWING #: 0F7416****GROUP C****APPLICABLE TO:**

| ITEM | PART # | QTY. | DESCRIPTION |
|-------------|---------------|-------------|----------------------------------|
| 1 | 049813 | 1 | NUT HEX M6 X 1.0 G8 YEL CHR |
| 2 | 022097 | 1 | WASHER LOCK M6-1/4 |
| 3 | 026850 | 2 | WASHER SHAKEPROOF EXT 1/4 STL |
| 4 | 055414 | 1 | LUG SLDLSS #2-#8 X 17/64 CU |
| 5 | 022473 | 1 | WASHER FLAT 1/4-M6 ZINC |
| 6 | 047411 | 1 | SCREW HHC M6-1.0 X 16 G8.8 |
| 7 | 052860 | 4 | NUT FLANGED HEX M12-1.75 |
| 8 | 052251 | 4 | DAMPENER VIBRATION 40 BLUE |
| 9 | 052257 | 4 | SPACER .49 X .62 X 1.87 PWDR/ZNC |
| 10 | 052252 | 4 | DAMPENER VIBRATION |
| 11 | 052259 | 4 | WASHER FLAT M12 |
| 12 | 052891 | 4 | SCREW HHC M12-1.75 X 80 G8.8 |
| 13 | 0536210261 | 1 | ASSY WIRE #0 12.00" |
| 14 | 074906 | 1 | SCREW HHTT M6-1.0 X 20 BP |
| 15 | 025507 | REF | WASHER SHAKEPROOF EXT 7/16 STL |
| 16 | 0F6935 | 1 | MTG BASE, 2.5L FORD C1 CPL |
| 19 | 046526 | REF | WASHER LOCK M10 |
| 20 | 049814 | REF | SCREW HHC M10-1.5 X 25 G8.8 |
| 21 | 022131 | REF | WASHER FLAT 3/8-M10 ZINC |

GROUP C

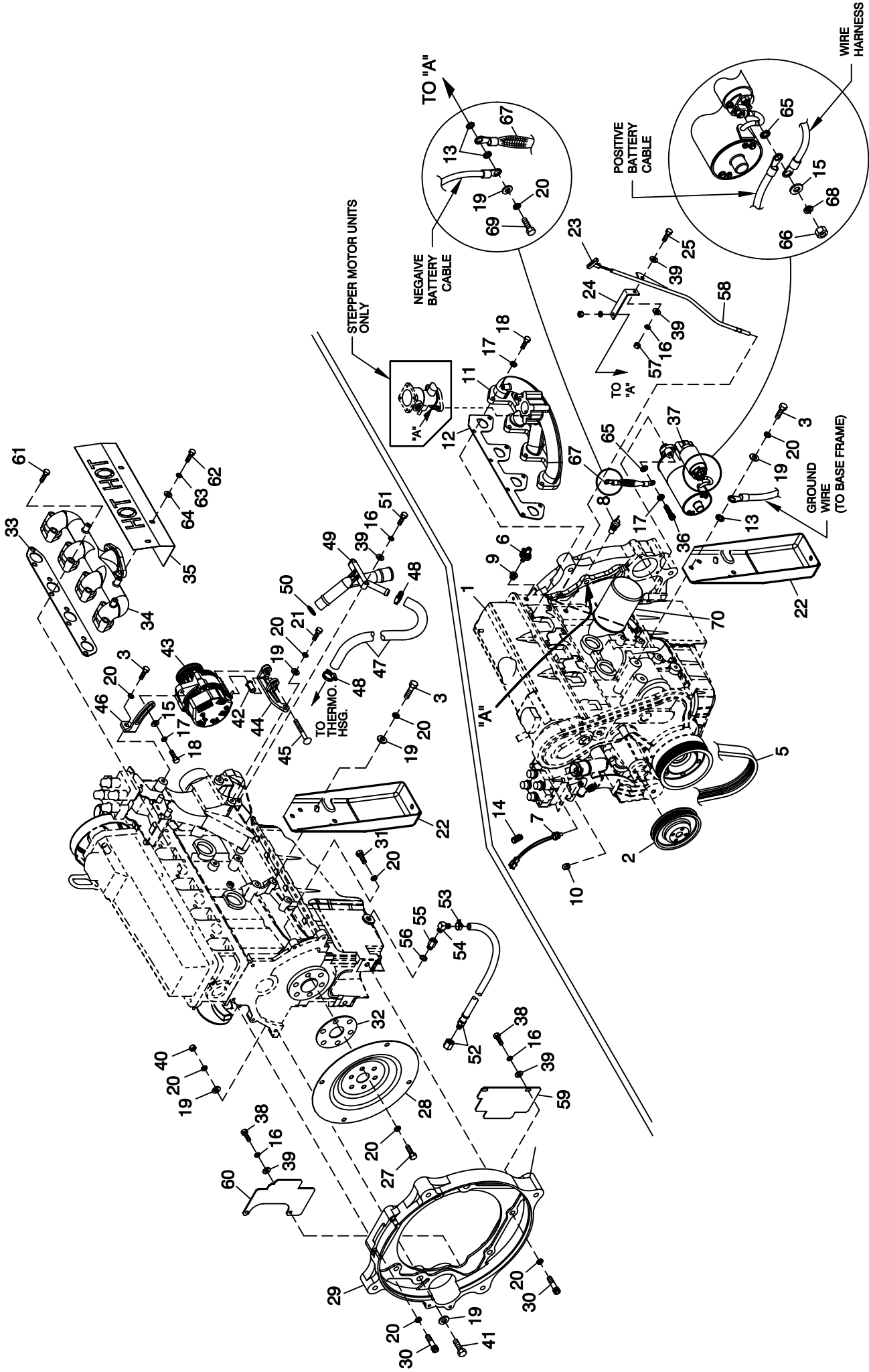


EXPLODED VIEW:
BATTERY C1 CPL
DRAWING #: 0F7422

EXPLODED VIEW: BATTERY C1 CPL**DRAWING #: 0F7422****GROUP C****APPLICABLE TO:**

| ITEM | PART # | QTY. | DESCRIPTION |
|-------------|---------------|-------------|--------------------------------|
| 1 | 0F3408B | 1 | BATTERY TRAY C1 CPL |
| 2 | 0F3411 | 1 | STRAP BATTERY RETAINMENT |
| 3 | 025507 | REF | WASHER SHAKEPROOF EXT 7/16 STL |
| 4 | 052647 | REF | SCREW SHC M10-1.5 X 25 G12.9 |
| 5 | 046526 | REF | WASHER LOCK M10 |
| 6 | 022131 | REF | WASHER FLAT 3/8-M10 ZINC |
| 7 | 050331A | REF | BATT POST COVER RED + |
| 8 | 050331 | REF | BATT POST COVER BLK - |
| 9 | 038805J | 1 | CABLE BATTERY BLK #1 X 30.00 |
| 10 | 038804U | 1 | CABLE BATTERY RED #1 X 28.00 |
| 11 | 045771 | REF | NUT HEX M8-1.25 G8 YEL CHR |
| 12 | 022129 | REF | WASHER LOCK M8-5/16 |
| 13 | 027482 | REF | WASHER SHAKEPROOF EXT 5/16 STL |
| 14 | 0F3976 | 3 | BOOT CONTACTOR CABLES |
| 15 | 0C2454 | 4 | SCREW THF M6-1 X 16 N WA ZJJS |
| 16 | 022145 | REF | WASHER FLAT 5/16-M8 ZINC |
| 17 | 077483 | REF | BATTERY 12VDC 75-AH 26 |
| 18 | 0742600131 | 1 | ASSY WIRE #16 RED 1.6 |

GROUP D



EXPLODED VIEW:
ENGINE COMMON PARTS 2.5L
DRAWING #: 0F7423

EXPLODED VIEW: ENGINE COMMON PARTS 2.5L
DRAWING #: 0F7423

GROUP D

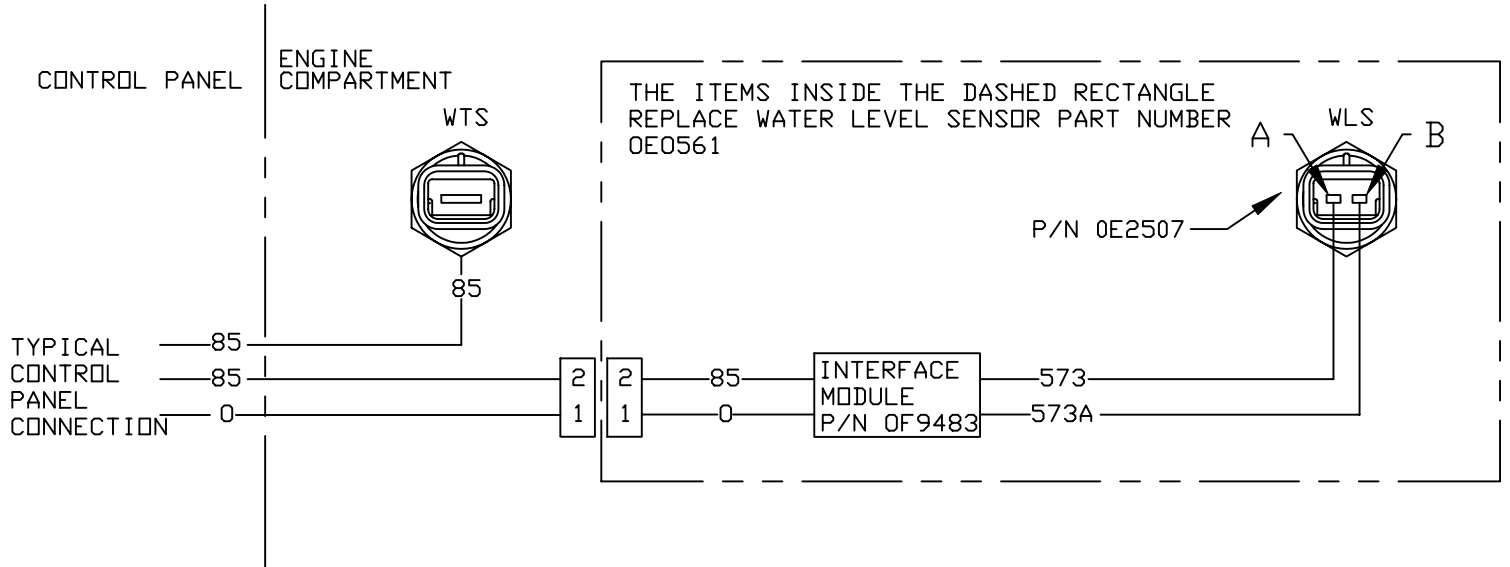
APPLICABLE TO: 2.5L FORD

| ITEM | PART # | QTY. | DESCRIPTION |
|------|---------|------|--|
| 1 | 0E9909 | REF | ENGINE 2.5L FORD |
| 2 | 0E9739 | 1 | PULLEY 2.5L FORD WATER PUMP |
| 3 | 049814 | 7 | SCREW HHC M10-1.5 X 25 G8.8 |
| 5 | 0D3488B | 1 | SERPENTINE BELT - 40.85" LENGTH |
| 6 | 0A8584 | 1 | SWITCH OIL PRESSURE 10PSI 2POL |
| 7 | 0E0561 | 1 | ASSY WATER LEVEL SENSOR C/E PL |
| 8 | 0A6751 | 1 | SW-TMP 245 DEG 3/8 NPT |
| 9 | 035579 | 1 | BUSHING REDUCER 1/4 TO 1/8 |
| 10 | 026925 | 1 | PLUG STD PIPE 3/8 STEEL SQ HD |
| 11 | 0E9611 | 1 | MANIFOLD INTAKE (MACHINED) (STEPPER MOTOR) |
| 12 | 0E9681 | 1 | GASKET 2.5L FORD INTAKE MAN. |
| 13 | 025507 | 3 | WASHER SHAKEPROOF EXT 7/16 STL |
| 14 | 077043A | 1 | CONDUIT FLEX .38" ID (6" LG) |
| 15 | 022145 | 2 | WASHER FLAT 5/16-M8 ZINC |

| ITEM | PART # | QTY. | DESCRIPTION |
|------|---------|------|--|
| 16 | 022097 | 7 | WASHER LOCK M6-1/4 |
| 17 | 022129 | 10 | WASHER LOCK M8-5/16 |
| 18 | 043107 | 10 | SCREW HHC M8-1.25 X 25 G8.8 |
| 19 | 022131 | 13 | WASHER FLAT 3/8-M10 ZINC |
| 20 | 046526 | 23 | WASHER LOCK M10 |
| 21 | 052625 | 2 | SCREW SHC M10-1.5 X 35 G12.9 |
| 22 | 0E9708 | 2 | ENGINE FOOT 2.5L FORD |
| 23 | 0E9738 | 1 | DIPSTICK 2.5L FORD |
| 24 | 0E9929 | 1 | BRACKET DIPSTICK TUBE |
| 25 | 042568 | 1 | SCREW HHC M6-1.0 X 20 G8.8 |
| 26 | 0F7428 | 1 | HARNNESS ENGINE 2.5L R-100 CPL (NOT SHOWN) |
| 27 | 0D5417 | 6 | SCREW HHC M10-1.0 X 25 G10.9 |
| 28 | 0F3903B | 1 | FLEX PLATE 2 POLE 2.5L FORD |
| 29 | 0E9655 | 1 | ADAPT CASTING MACH 2.5L FORD |
| 30 | 057192 | 4 | SCREW SHC M10-1.5 X 30 G12.9 |
| 31 | 060619 | 2 | SCREW SHC M10-1.50 X 40 G12.9 |
| 32 | 0E8940 | 1 | SPACER FLEXPLATE HSB |
| 33 | 0E9680 | 1 | GASKET 2.5L FORD EXHAUST MAN. |
| 34 | 0E9609 | 1 | MANIFOLD EXHAUST (MACHINED) |
| 35 | 0E9930 | 1 | HEAT SHIELD EXHAUST MANIFOLD |
| 36 | 049821 | 3 | SCREW SHC M8-1.25 X 30 G12.9 |
| 37 | 0E9747 | 1 | STARTER 12 VOLT |
| 38 | 047411 | 4 | SCREW HHC M6-1.0 X 16 G8.8 |
| 39 | 022473 | 8 | WASHER FLAT 1/4-M6 ZINC |
| 40 | 045772 | 2 | NUT HEX M10-1.5 G8 YEL CHR |
| 41 | 064416 | 2 | SCREW HHC M10-1.5 X 45 G8.8 |
| 42 | 0F0252 | 1 | SPRING BUSHING |
| 43 | 0E9868 | 1 | ALTERNATOR D.C |
| 44 | 0F0035 | 1 | BRKT D.C. ALTERNATOR (MACHINED) |
| 45 | 026082 | 1 | SCREW HHC 3/8-16 X 2-1/4 G5 |
| 46 | 0E9928 | 1 | TENSIONER D.C. ALTERNATOR |
| 47 | 0F0383 | 1 | HOSE 2.5L FORD COOLANT BY-PASS |
| 48 | 035473 | 2 | CLAMP HOSE #12 .50-1.25 |
| 49 | 0E9737 | 1 | LOWER HOSE ADAPTER 2.5L FORD |
| 50 | 0F0393 | 1 | O-RING 1-3/16 X 1-7/16 X 1/8 |
| 51 | 045757 | 2 | SCREW HHC M6-1.0 X 25 G8.8 |
| 52 | 069860C | 1 | HOSE OIL DRAIN ASSY 21" |
| 53 | 048031J | 1 | HOSE CLAMP BAND 5/8" |
| 54 | 043790 | 1 | BARBED EL 90 3/8 NPT X 3/8 |
| 55 | 077456 | 1 | ADAPTER M12-1.75 3/8 NPT |
| 56 | 052677 | 1 | WASHER NYLON .50 X .87 X .06 |
| 57 | 049813 | 1 | NUT HEX M6 X 1.0 G8 YEL CHR |
| 58 | 0E9738A | 1 | DIPSTICK TUBE 2.5L FORD |
| 59 | 0F1132 | 1 | COVER R/H SIDE ENGINE ADAPTOR |
| 60 | 0F1133 | 1 | COVER L/H SIDE ENGINE ADAPTOR |
| 61 * | 059355 | 8 | SCREW SHC M10-1.50 X 50 G12.9 |
| 62 | 085296 | 3 | SCREW HHC 1/4-20 X 1/2 SS |
| 63 | 083896 | 3 | WASHER LOCK 1/4-M6 SS |
| 64 | 084929 | 3 | WASHER FLAT 1/4 SS |
| 65 | 027482 | 1 | WASHER SHAKEPROOF EXT 5/16 STL |
| 66 | 045771 | REF | NUT HEX M8-1.25 G8 CLEAR ZINC |
| 67 | 021991 | 1 | EARTH STRAP |
| 68 | 022129 | REF | WASHER LOCK M8-5/16 |
| 69 | 052647 | 1 | SCREW SHC M10-1.5 X 25 G12.9 |
| 70 | 0F4604 | REF | FILTER 2.5L FORD OIL |

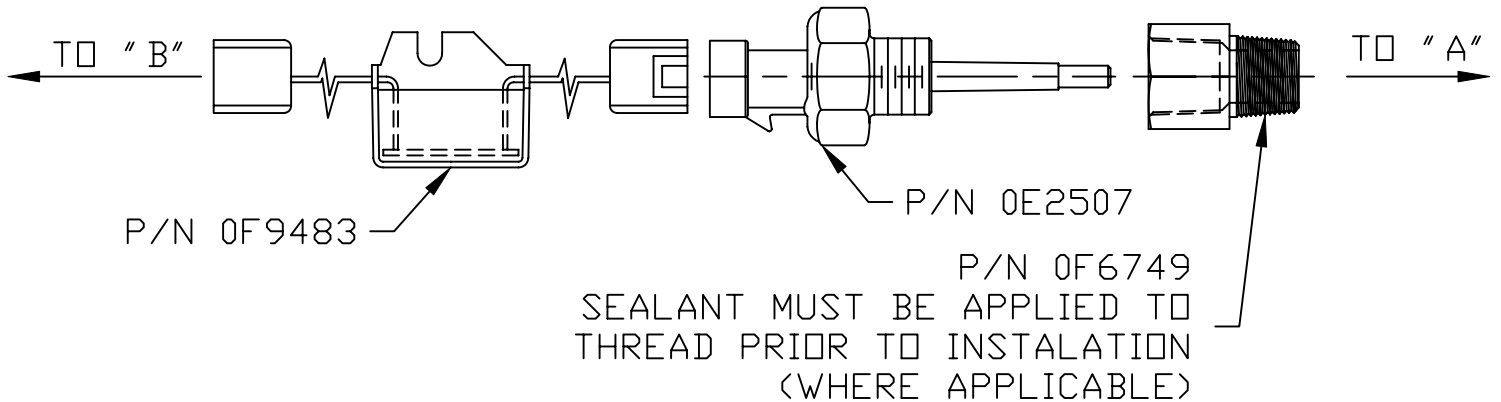
* NOTE: TORQUE TO 44 FT/LBS.

GROUP D



WIRING DIAGRAM FOR NEW COOLANT LEVEL SENSOR

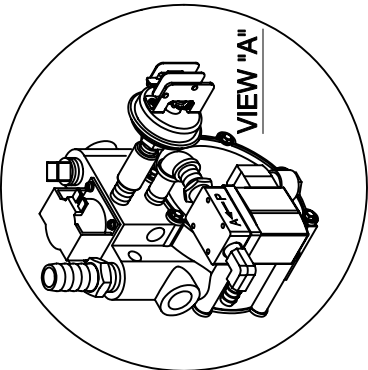
MECHANICAL DIAGRAM FOR NEW COOLANT LEVEL SENSOR INSTALATION



"A" = EXISTING COOLANT LEVEL SENSOR LOCATION ON UNIT
 "B" = EXISTING COOLANT LEVEL SENSOR WIRE HARNESS CONNECTOR

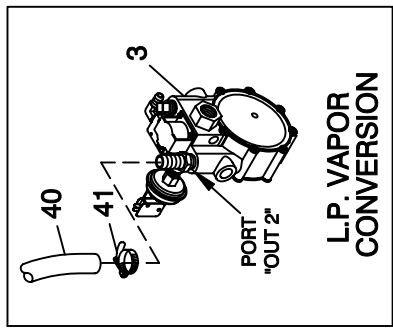
BLANK PAGE

GROUP E

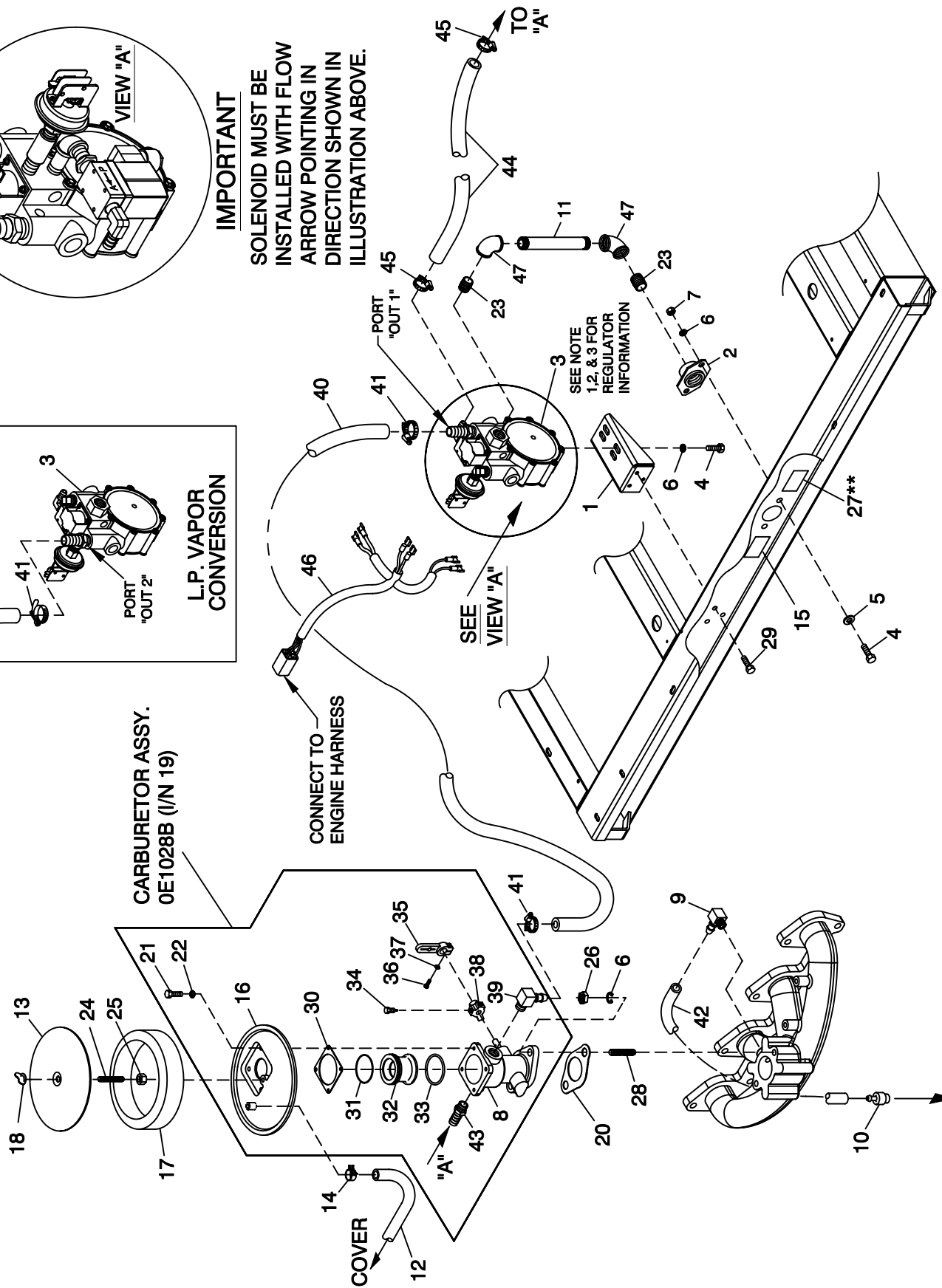


IMPORTANT

SOLENOID MUST BE
INSTALLED WITH FLOW
ARROW POINTING IN
DIRECTION SHOWN IN
ILLUSTRATION ABOVE.



CARBURETOR ASSY.
0E1028B (I/N 19)



EXPLODED VIEW:
NATURAL GAS FUEL OR LPV
DRAWING #: 0F7440

EXPLODED VIEW: NATURAL GAS FUEL OR LPV

DRAWING #: 0F7440

GROUP E

APPLICABLE TO: 2.5L FORD

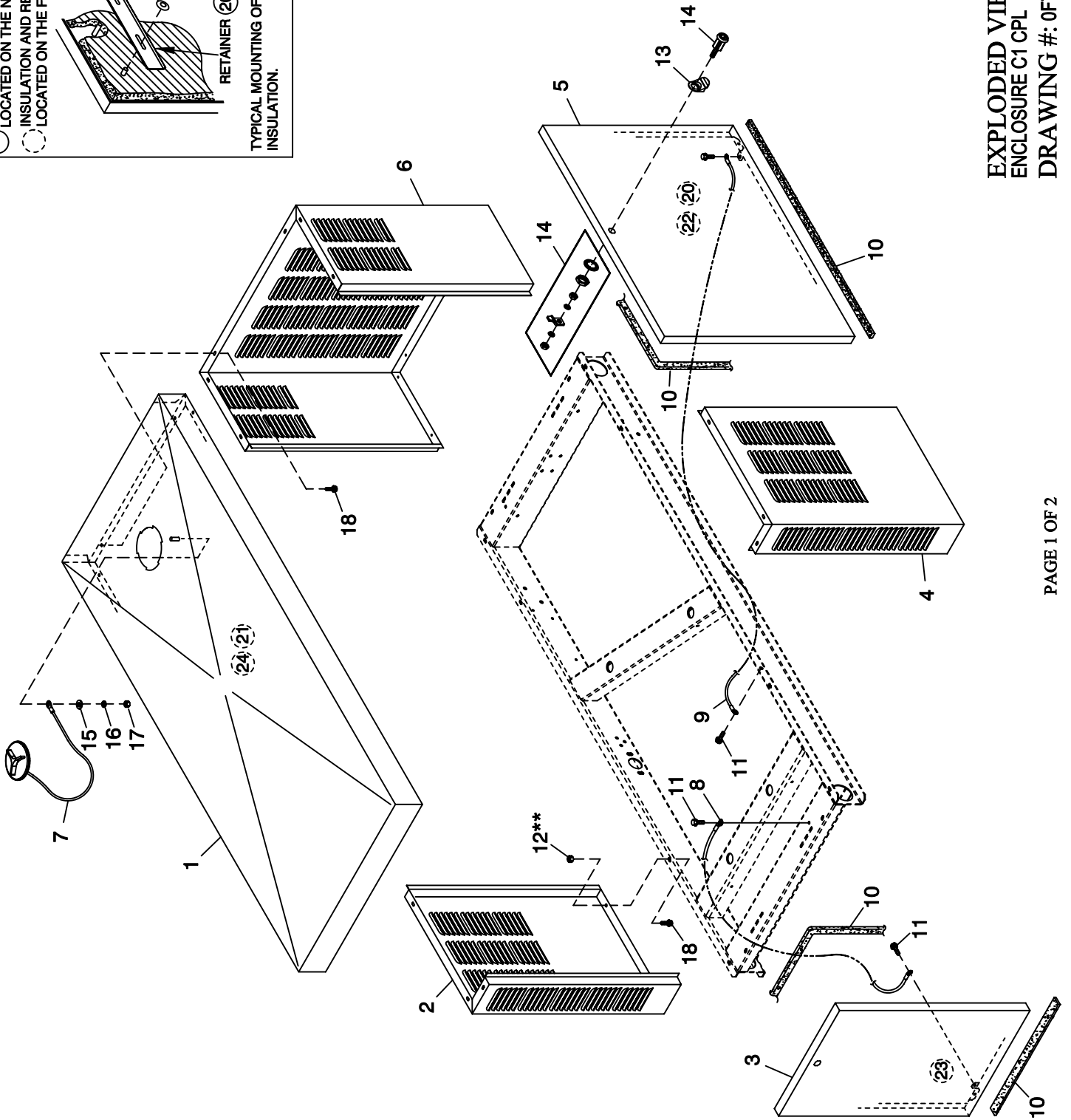
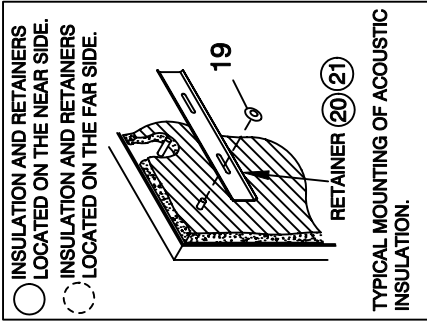
| ITEM | PART # | QTY. | DESCRIPTION |
|------|---------|------|----------------------------------|
| 1 | 0E8456 | 1 | BRACKET FUEL REGULATOR |
| 2 | 075580 | 1 | FLANGE FUEL INLET |
| 3 | 0F6364 | 1 | FUEL REG. 2.5L FORD REWORK |
| 4 | 039253 | 4 | SCREW HHC M8-1.25 X 20 G8.8 |
| 5 | 022145 | 2 | WASHER FLAT 5/16 ZINC |
| 6 | 022129 | 6 | WASHER LOCK M8-5/16 |
| 7 | 045771 | 2 | NUT HEX M8-1.25 G8 YEL CHR |
| 8* | 0F1570 | 1 | BODY CARBURETOR ASSEMBLY |
| 9 | 0A6344 | 1 | BARBED EL 90 1/8 NPT X 3/8 |
| 10 | 0F3994 | REF. | PCV VALVE 2.5L FORD |
| 11 | 026582 | 1 | NIPPLE PIPE 3/4 NPT X 4" LG BI |
| 12 | 0F0397 | 1 | HOSE CRANKCASE BREATHER |
| 13 | 0A5547 | 1 | COVER AIR CLEANER |
| 14 | 0C7649 | 1 | CLAMP HOSE .38-.87 |
| 15 | 0D1509 | 1 | DECAL INLET PRESSURE |
| 16* | 0E0591 | 1 | ADAPTER CARB. TO AIR CLNR |
| 17 | 059402 | 1 | FILTER ELEMENT |
| 18 | 037561 | 1 | NUT WING 1/4-20 NYLK |
| 19 | 0E1028B | 1 | CARBURETOR ASSY. 2.5L FORD |
| 20 | 059401 | 1 | CARBURETOR GASKET |
| 21* | 091526 | 4 | SCREW PPHM M5-0.8 X 12 ZNC |
| 22* | 049226 | 4 | WASHER LOCK M5 |
| 23 | 026915 | 2 | NIPPLE CLOSE 3/4 X 1.375 |
| 24 | 062522 | 1 | STUD TH 1/4-20 X 3 G2 ZNC FULL |
| 25 | 022127 | 1 | NUT HEX 1/4-20 STEEL |
| 26 | 022259 | 2 | NUT HEX 5/16-18 STEEL |
| 27** | 050279 | 1 | DECAL FUEL INLET NG |
| | 050280 | 1 | DECAL FUEL INLET LPG |
| 28 | 0A6125 | 2 | STUD 5/16-18 X 1.25 F THR |
| 29 | 0C2454 | 3 | SCREW TH-FRM M6-1 X 16 N WA Z/JS |
| 30* | 0E1104 | 1 | GASKET AIR CLEANER ADAPTER |
| 31* | 0E0668 | 1 | O-RING 2-028 1.38 X 1.50 X .06 |
| 32* | 0E0590A | 1 | VENTURI 20MM |
| 33* | 0C5133 | 1 | O-RING 29.82 X 2.62 |
| 34* | 0E0665 | 1 | SCREW THROTTLE PIN STOP |
| 35* | 0E1108A | 1 | THROTTLE ARM REWORK 2.5L FORD |
| 36* | 033138 | 1 | SCREW HHM #10-32 X 5/8 |
| 37* | 022152 | 1 | WASHER LOCK #10 |
| 38* | 0E0645 | 1 | LEVER, THROTTLE STOP |
| 39* | 034339 | 1 | BARBED EL 90 3/8 NPT X 5/8 |
| 40 | 059194 | 1 | HOSE 5/8 ID LPG & NG (24" LG) |
| 41 | 057823 | 2 | CLAMP HOSE #10 .56 - 1.06 |
| 42 | 0F0382 | 1 | HOSE 3/8" 90 DEG 2.5L PVC |
| 43* | 089617 | 1 | BARBED STR 1/4NPT X 1/4 MALE |
| 44 | 030340 | 1 | HOSE 1/4 ID SAE 30R7 (24" LG) |
| 45 | 040173 | 2 | CLAMP HOSE #5.5 .62-.62 |
| 46 | 0F6155 | 1 | HARNES FUEL JUMPER SINGLE REG |
| 47 | 026812 | 2 | ELBOW 90D 3/4 NPT |

* INCLUDED IN ITEM 19 (CARBURETOR ASSY)

NOTES:

- REGULATOR (I/N 3) AS SHOWN IN ILLUSTRATION IS SET UP FOR NATURAL GAS APPLICATION.
- TO CONFIGURE REGULATOR FOR LP VAPOR, SWITCH HOSE BARB, HOSE CLAMP (I/N 41) AND HOSE (I/N 40) FROM "OUT-1" TO "OUT-2". REPLACE PIPE PLUG FROM "OUT-2" TO "OUT-1". USE PIPE SEALANT ON HOSE BARB AND PIPE PLUG. MAKE SURE TO KEEP PORTS FREE FROM DEBRIS DURING RECONFIGURATION PROCESS.
- ** FOR LP VAPOR APPLICATION SUBSTITUTE LPG FUEL INLET DECAL P/N 050280 FOR NG FUEL INLET DECAL P/N 050279 (ITEM 27).
- WHEN SWITCHING FUEL TYPES, THE PROPER DIP SWITCH SETTINGS MUST BE MADE TO THE CONTROL PANEL. SEE OWNERS MANUAL, FUEL SECTION FOR MORE DETAILS.

GROUP F



EXPLODED VIEW:
 ENCLOSURE C1 CPL
 DRAWING #: 0F7356

EXPLODED VIEW: ENCLOSURE C1 CPL

DRAWING #: 0F7356

GROUP F

APPLICABLE TO:

| ITEM | PART # | QTY. | DESCRIPTION |
|-------------|---------------|-------------|--------------------------------|
| 1 | 0F7003 (XX) | 1 | ROOF C1 CPL |
| 2 | 0F7004 (XX) | 1 | CORNER POST LH SIDE C1 CPL |
| 3 | 0F7008 (XX) | 1 | DOOR REAR C1 CPL |
| 4 | 0F7005 (XX) | 1 | CORNER POST RH SIDE C1 CPL |
| 5 | 0F7007 (XX) | 2 | DOOR LH & RH SIDE C1 CPL |
| 6 | 0F7006 (XX) | 1 | DUCT FRONT DISCHARGE C1 CPL |
| 7 | 0C2634A | 1 | ASSEMBLY COVER ACCESS |
| 8 | 0912970091 | 1 | ASSY WIRE 14AWG 13.8" GRN/YEL |
| 9 | 0912970090 | 2 | ASSY WIRE 14AWG 33.5" GRN/YEL |
| 10 | 0E5968 | 1 | GASKET EXTRUDED TRIM (356" LG) |
| 11 | 0E3257 | 6 | SCREW HWHTF M6-1.0 X 16 |
| 12 ** | 077992 | 18 | NUT HEX LOCK M6-1.0 SS NY INS |
| 13 | 0F5049 | 3 | TAB PULL |
| 14 | 0F5048 | 3 | LATCH VISE ACTION 5/16 HEX SKT |
| 15 | 022473 | 1 | WASHER FLAT 1/4-M6 ZINC |
| 16 | 022097 | 1 | WASHER LOCK M6-1/4 |
| 17 | 022127 | 1 | NUT HEX 1/4-20 STEEL |
| 18 | 0C2454 | 24 | SCREW THF M6-1 X 16 N WA Z/JS |
| 19 | 078115 | 20 | WASHER SELF LOCKING DOME |
| 20 | 0F3890B | 2 | RETAINER INSULATION (820) |
| 21 | 0F3890 | 4 | RETAINER INSULATION (450) |
| 22 | 0F7365 | 2 | INSULATION SIDE DOOR C1 |
| 23 | 0F7365B | 1 | INSULATION REAR DOOR C1 CPL |
| 24 | 0F7365A | 1 | INSULATION ROOF C1 CPL |

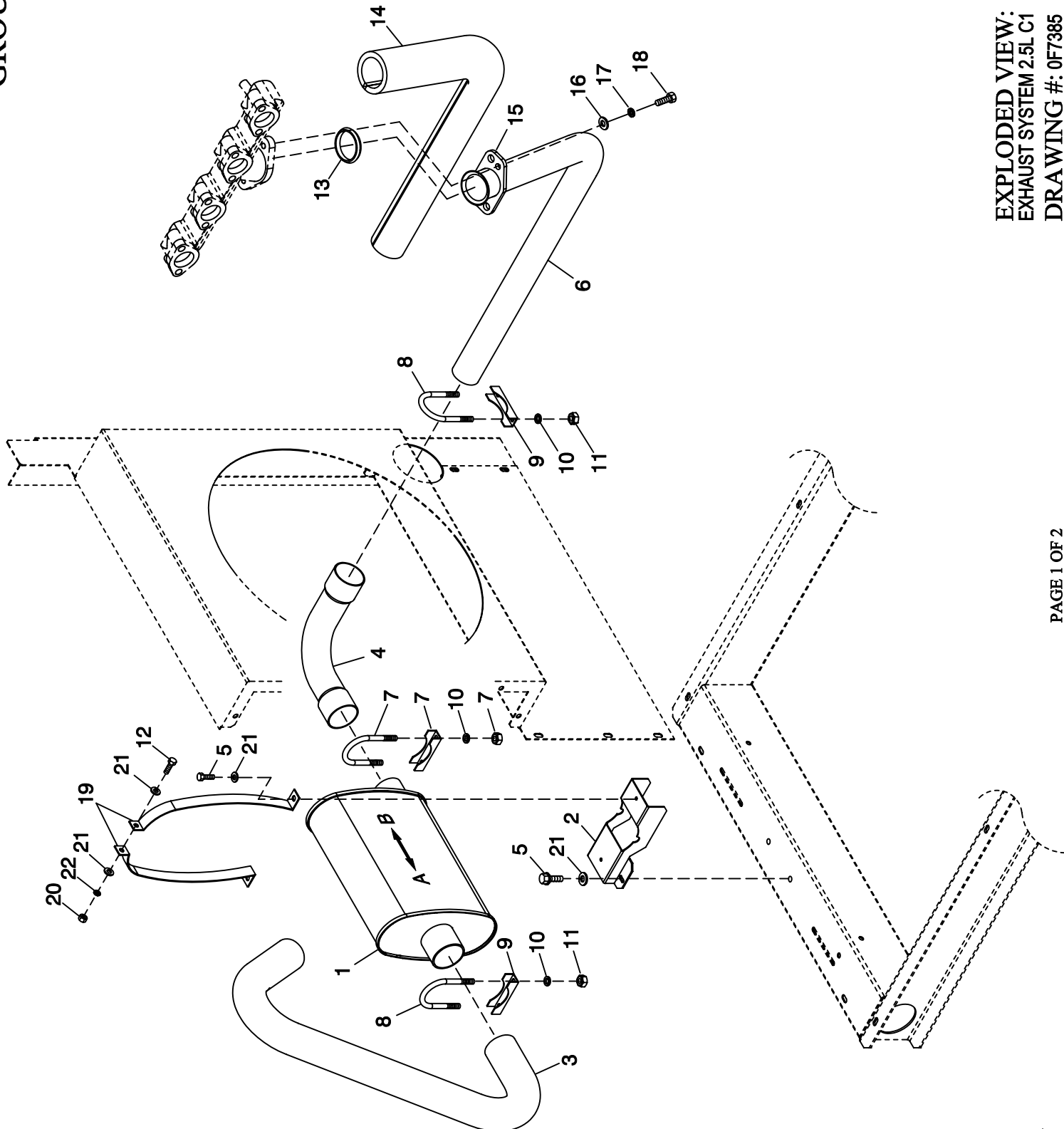
OPTIONAL COMPARTMENT MATERIALS:

ALL P/N'S WITH AN (XX) SUFFIX INDICATE A MULTIPLE MATERIAL AND COLOR OPTION.
USE THE FOLLOWING LEGEND TO IDENTIFY THE CORRECT PART NUMBER:

| PART NO. | MATERIAL | COLOR |
|-----------------|-----------------|--------------|
| 0XXXXXSN | STEEL | TAN |
| 0XXXXXAN | ALUMINUM | TAN |
| 0XXXXXSG | STEEL | GRAY |
| 0XXXXXAG | ALUMINUM | GRAY |

** ALUMINUM ENCLOSURE NOTE: ALL ENCLOSURE PANELS THAT FASTEN TO THE BASE FRAME MUST BE SECURED USING ITEM 18 & 11 THREAD FORMING FASTENER AND ITEM 12 LOCK NUT. LOCK NUT IS TO BE INSTALLED AFTER THREAD FORMING FASTENER HAS PENETRATED THROUGH EXTRUSIONS IN ENCLOSURE PANELS. ALL ROOF PANELS ARE TO BE SECURED IN THE SAME MANNER.

GROUP F



EXPLODED VIEW: EXHAUST SYSTEM 2.5L C1

DRAWING #: 0F7385

GROUP F

APPLICABLE TO:

| ITEM | PART # | QTY. | DESCRIPTION |
|-------------|---------------|-------------|---------------------------------|
| 1 | 0F7366 | 1 | MUFFLER C1 |
| 2 | 0F7647 | 1 | MUFFLER SADDLE |
| 3 | 0F8095 | 1 | PIPE EXHAUST OUTLET |
| 4 | 0F7172 | 1 | PIPE EXH INLET MFLR SIDE 2.5L |
| 5 | 0E3257 | 4 | SCREW HWHTF M6-1.0 X 16 |
| 6 | 0F7382 | 1 | PIPE EXH INLET MANIFLD SIDE 2.5 |
| 7 | 0C6119 | 1 | BOLT U 5/16-18 X 2-1/4 |
| 8 | 036434 | 2 | BOLT U 5/16-18 X 2.09 |
| 9 | 036449 | 2 | SADDLE 2 INCH |
| 10 | 022129 | 6 | WASHER LOCK M8-5/16 |
| 11 | 022259 | 4 | NUT HEX 5/16-18 STEEL |
| 12 | 038750 | 3 | SCREW HHC M6-1.0 X 30 G8.8 |
| 13 | 044149 | 1 | GASKET EXHAUST RING |
| 14 | 0E0170A | 1 | EXHAUST BLANKET 988MM |
| 15 | 0E8816 | 1 | FLANGE EXHAUST 2" PIPE |
| 16 | 022131 | 2 | WASHER FLAT 3/8-M10 ZINC |
| 17 | 085917 | 2 | WASHER LOCK 3/8 SS |
| 18 | 0D2611 | 2 | SCREW HHC 3/8-16 X 1-3/4 SS |
| 19 | 0F7644 | 2 | MUFFLER STRAP |
| 20 | 049813 | 1 | NUT HEX M6 X 1.0 G8 YEL CHR |
| 21 | 022473 | 6 | WASHER FLAT 1/4-M6 ZINC |
| 22 | 022097 | 1 | WASHER LOCK M6-1/4 |