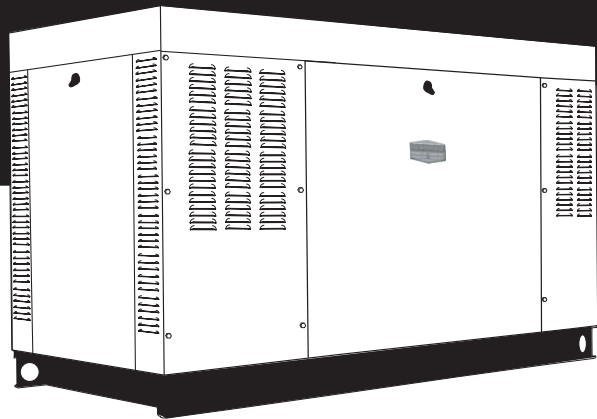


Serial Number

**QT
1.5L
20kW**

Model: 005211-0

**STANDBY GENERATOR
OWNER'S MANUAL**



A new standard of reliability

QUIETSOURCE™

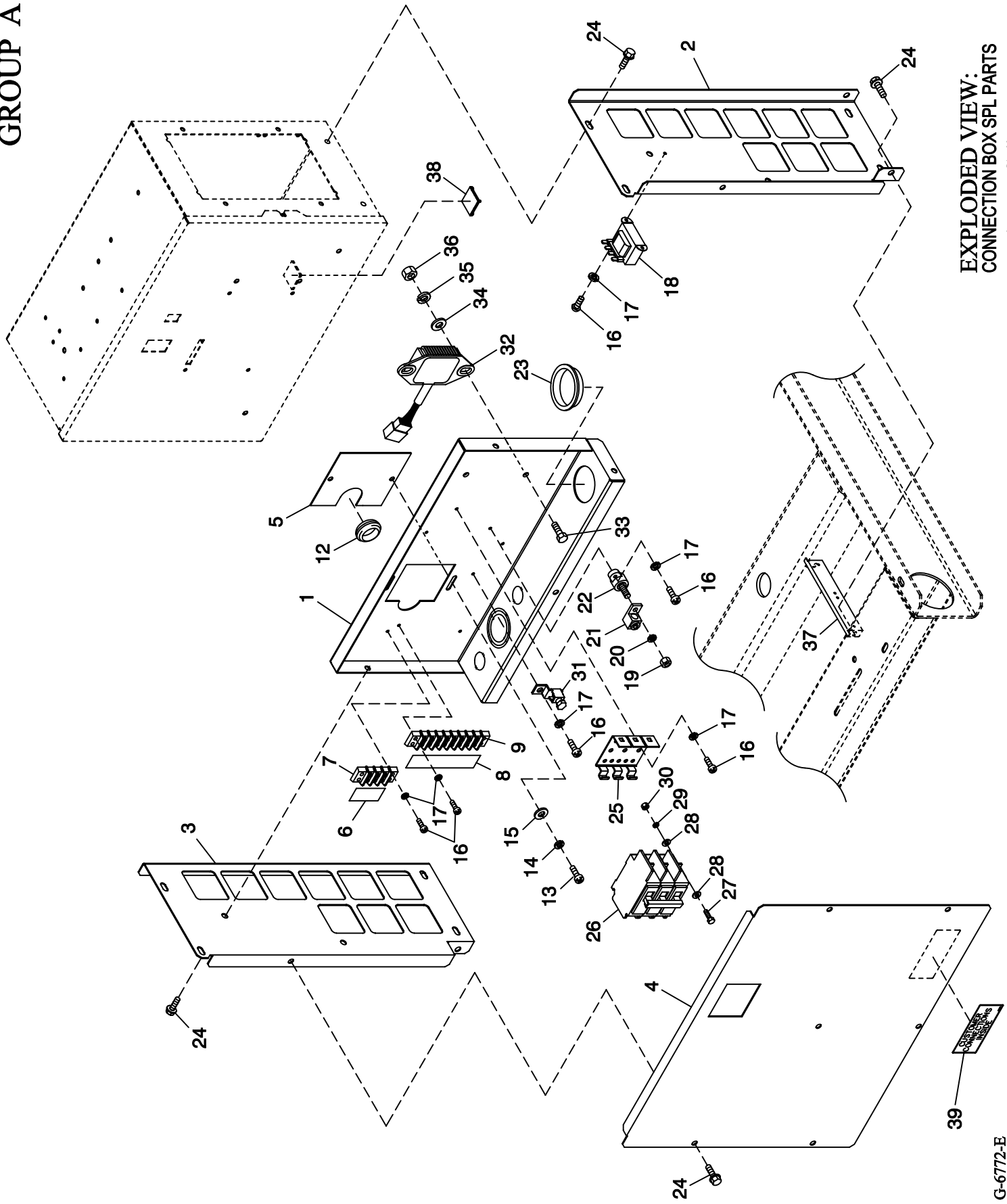
⚠ Not intended for use in critical life support applications. ⚠

— ⚠ **CAUTION** ⚠ —

**ONLY QUALIFIED ELECTRICIANS OR CONTRACTORS SHOULD ATTEMPT INSTALLATION!
DEADLY EXHAUST FUMES. OUTDOOR INSTALLATION ONLY!**

This manual should remain with the unit.

GROUP A



EXPLODED VIEW:
CONNECTION BOX SPL PARTS
DRAWING #: 0F7352

EXPLODED VIEW: CONNECTION BOX SPL PARTS

DRAWING #: 0F7352

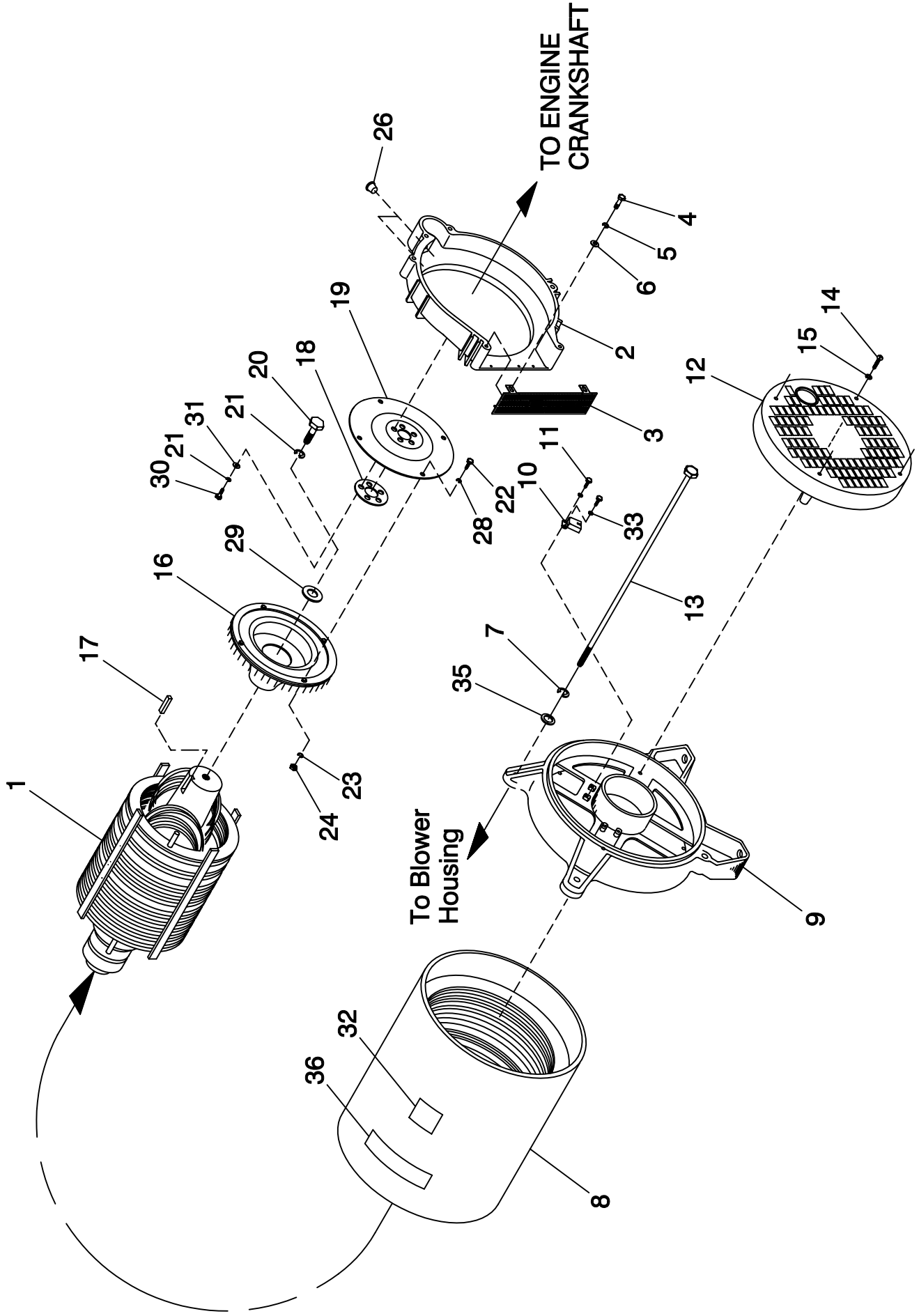
GROUP A

APPLICABLE TO:

ITEM	PART #	QTY.	DESCRIPTION
1	0F7135	1	BREAKER TRAY BACK/BOTTOM
2	0F7022	1	SUPPORT CONTROL PANEL SIDE RH
3	0F7021	1	SUPPORT CONTROL PANEL SIDE LH
4	0F7260	1	COVER CIRCUIT BREAKER 2P
	0F7136	1	COVER CIRCUIT BREAKER 3P
5	0F6156	1	PLATE WIRE SNGL GALV
6	0F4464	1	DECAL CUST CONN 120V UTILITY
7	0D4698	REF	BLOCK TERM 20A 6 X 3 X 1100V
8	0F3824	1	DECAL UTIL SENSE/CUST CONN
9	057701	REF	BLOCK TERM 20A 8 X 6 X 1100V
10	0F6146	1	HANG TAG 2 WIRE START (NOT SHOWN)
12	081008	1	GROMMET 1.25 X .25 X .75
13	0C2267	2	SCREW HHTT M5-0.8 X 12 BP
14	049226	2	WASHER LOCK M5
15	051713	2	WASHER FLAT M5
16	0C2212	11	SCREW PHTT M4-0.7 X 16 ZYC
17	022264	11	WASHER LOCK #8-M4
18	0F6366A	1	XFMR DUAL 104V/16V (1 PHASE)
	0F6366B	1	XFMR DUAL 120V/16V (3 PHASE)
19	022241	1	NUT HEX 3/8-16 STEEL
20	022237	1	WASHER LOCK 3/8
21	057329	1	LUG SLDLSS 350-#6 X 13/32 AL/CU
22	057073	1	JUNCTION BLOCK 3/8-16
23	023484J	1	BUSHING SNAP SB-2000-26
24	0E3257	15	SCREW HWHTF M6-1.0 X 16
25	0E7890	REF	BRKT CB MTG BACK 2P
	0E6002	REF	MTG TRACK BQ SIEMENS CB 3P
26	0D5544	REF	CB 0100A 2P 240V S BQ2 LL (1.5L 2 POLE)
	062812	REF	CB 0080A 3P 240V S BQ3 LL (1.5L 3 POLE)
	0A2077	REF	CB 0125A 2P 240V S BQ2 LL (2.5L 2 POLE)
	040532	REF	CB 0100A 3P 240V S BQ3 LL (2.5L 3 POLE)
27	052619	REF	SCREW HHC M5-0.8 X 20 G8.8 (NOT SHOWN)
28	023897	REF	WASHER FLAT #10 ZINC (NOT SHOWN)
29	049226	REF	WASHER LOCK M5 (NOT SHOWN)
30	051716	REF	NUT HEX M5-0.8 G8 CLEAR ZINC (NOT SHOWN)
31	025433	1	LUG SLDLSS #6-14 X 13/64 CU
32 *	0A1354A	REF	REGULATOR - DC ALT
33 *	042568	REF	SCREW HHC M6-1.0 X 20 G8.8
34 *	022473	REF	WASHER FLAT 1/4-M6 ZINC
35 *	022097	REF	WASHER LOCK M6-1/4
36 *	049813	REF	NUT HEX M6 X 1.0 G8 YEL CHR
37 *	0F7194	REF	BRACKET PANEL SUPPORT 1.5L C1
38	057593	1	CABLE TIE MOUNT BLACK
39	0F1733	1	DECAL CUSTOMER CONNECT INSIDE

* USED ON 1.5L ONLY.

GROUP A



EXPLODED VIEW:
GENERATOR
DRAWING #: 0F8222

EXPLODED VIEW: GENERATOR

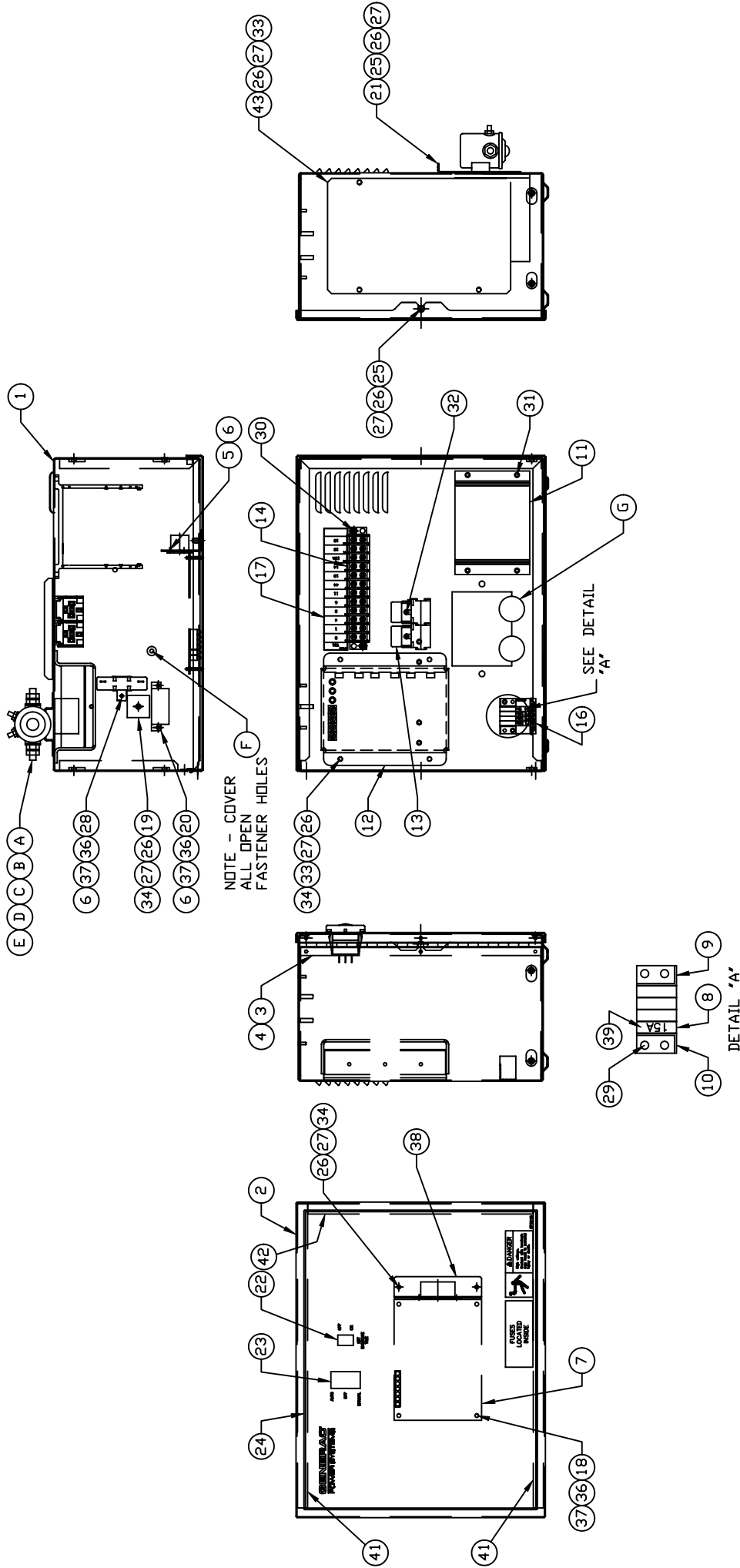
DRAWING #: 0F8222

GROUP A

APPLICABLE TO:

ITEM	PART #	QTY.	DESCRIPTION
1	098675	1	ASSY ROTOR 20KW
2	0A5336A	1	HOUSING BLOWER
3	0A1659	1	SCREEN AIR OUTLET
4	020746	4	SCREW PPHM M5-0.8 X 8 ZINC
5	049226	4	WASHER LOCK M5
6	051713	4	WASHER FLAT M5
7	022129	4	WASHER LOCK M8-5/16
8	0F8218	1	ASSY STATOR 20KW 1PH A
	0F8220	1	ASSY STATOR 20KW 3PH GJK
9	0A5382	1	BEARING CARRIER REAR
10	075591	1	ASSY HOLDER BRUSH
11	075476	4	SCREW PPHM M4-0.7 X 16
12	0A5601A	1	COVER REAR BEARING
13	075554B	4	BOLT STATOR X 16" LG
14	0A9375	4	SCREW RHM #10-24 X 2
15	022152	4	WASHER LOCK #10
16	097146	1	FAN & RING GEAR ASSEM.
17	042558	1	KEY SQ 3/8 X 1 STEEL
18	0A5061	1	SPACER-FLEX PLATE
19	0A4989	1	PLATE FLEX
20	053557	1	SCREW HHC M12-1.75 X 40 G8.8
21	051769	6	WASHER LOCK M12
22	049541	4	SCREW HHC M10-1.5 X 35 G8.8
23	046526	4	WASHER LOCK M10
24	045772	4	NUT HEX M10-1.5 G8 YEL CHR
26*	087599	2	PLUG PLASTIC 3/8 NPT
27	077043E	1	FLEX CONDUIT 1" BLACK (NOT SHOWN)
28	022131	4	WASHER FLAT 3/8-M10 ZINC
29	072578	1	SPACER ROTOR SHAFT
30	0A7043	5	SCREW HHC M12-1.25 X 25 G8.8
31	049808	5	WASHER FLAT M12
32	058589	1	DECAL WARN ENG START
33	023365	4	WASHER SHAKEPROOF INT #8
35	0A8830	4	WASHER FLAT .34 ID X .75 OD
36	072080	1	DECAL DANGER STANBY UNITS

GROUP B

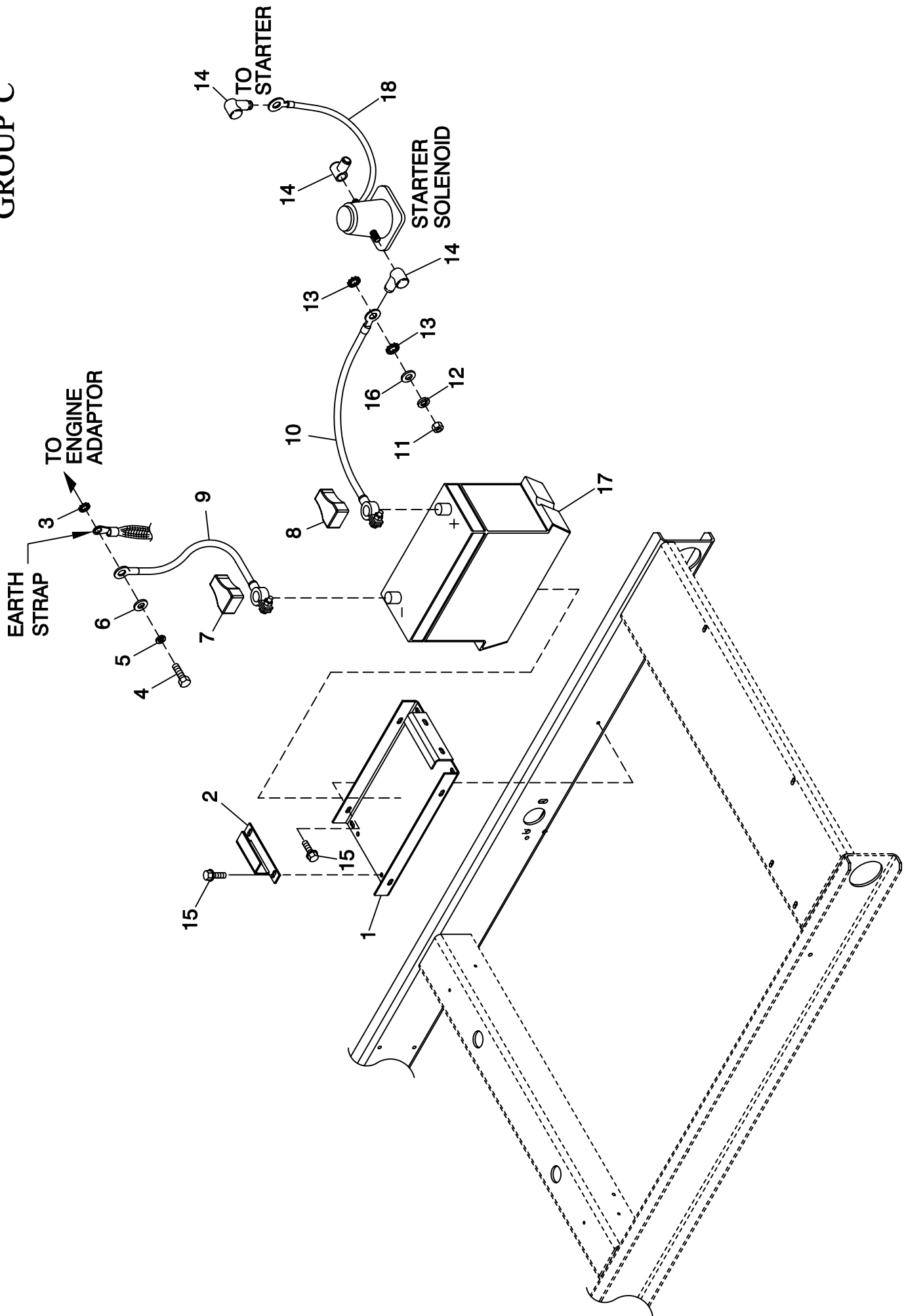


EXPLODED VIEW:
 R-100 3600 RPM 1.5L 240V
 DRAWING #: 0F7380D

APPLICABLE TO:

ITEM	PART #	QTY.	DESCRIPTION
1	0F1823A	1	ENCL HSB CONTROL PANEL
2	0F3078	1	COVER CONTROL PANEL
3	0F2606	1	HINGE CONTINUOUS H-PNL
4	036261	6	RIVET POP .125 X .275 SS
5	043181	4	SCREW PHM M3-0.5 X 10MM
6	052777	7	WASHER FLAT M3
7	0F4245F	1	ASSY PCB CPL CTRLR 3600 RPM
8	0F1262	4	HOLDER FUSE WICKMANN 178.6150
9	0F1263	1	ADPTR RH SIDE WICKMAN 178.6191
10	0F1264	1	ADPTR LH SIDE WICKMAN 178.6192
11	0F1725C	1	ASSY PCB 2AMP 12V UL BATT CHGR
12	067680	1	ASSY VOLTAGE REGULATOR 60HZ
13	0E6875A	2	RELAY 12VDC C FORM W/DIODE
14	055911	1	BLOCK TERM 20A 12 X 6 X 1100V
16	0F5459	1	DECAL CPL CONTROL PANEL FUSES
17	0F5462	1	DECAL CPL 3.9L TB1
18	0A5062J	4	SPACER 9.5H 3.2 ID
19	029673	1	DIO BRIDGE 25A 600V
20	049350	1	CB 4 X 1 ETA 46-500-P
21	0F1958	1	PLATE HARNESS CLAMP
22	082573	1	SWITCH RKR DPST 125V SPD
23	0E4494	1	SWITCH RKR DPDT ON-OFF-ON
24	0F3215	1	DECAL CONTROL HSB
25	0F5886	3	SCREW HHPM M5-0.8 X 12
26	051713	14	WASHER FLAT M5
27	049226	14	WASHER LOCK M5
28	0F5752B	1	RES WW 25R 5% 25W QK CONN
29	0F5884	2	SCREW PHTT M3.5-0.6 X 10
30	0F5896	2	SCREW PHTT M3.5-0.6 X 16
31	0C2265	4	SCREW PHTT M4-0.7 X 12 ZYC
32	0C3990	2	SCREW PHTT M4-0.7 X 10 ZYC
33	091526	8	SCREW PPHM M5-0.8 X 12 ZNC
34	051716	7	NUT HEX M5-0.8 G8 CLEAR ZINC
36	043182	7	WASHER LOCK M3
37	051714	7	NUT HEX M3-0.5 G8 YEL CHR
38	0F3192	1	SUPPORT ANGLE PCB
39	0E7403C	1	FUSE ATO TYPE 15 AMP (BLUE)
40	0F4416	1	HARN 1800RPM R-100 CONTROL PNL (NOT SHOWN)
41	0F6305	2	SEAL COVER 3.18 X 12.7 X 382
42	0F6305A	1	SEAL COVER 3.18 X 12.7 X 283
43	0F2627	1	PLATE COVER H PANEL
COMPONENTS INSTALLED PER OF7380D			
A	056739	1	RELAY SOLENOID 12VDC PNL MNT
B	022287	2	SCREW HHC 1/4-20 X 3/4 G5
C	022473	4	WASHER FLAT 1/4-M6 ZINC
D	022097	2	WASHER LOCK M6-1/4
E	022127	2	NUT HEX 1/4-20 STEEL
F	0F6145	A/R	SEAL WEATHER .45" DIA

GROUP C



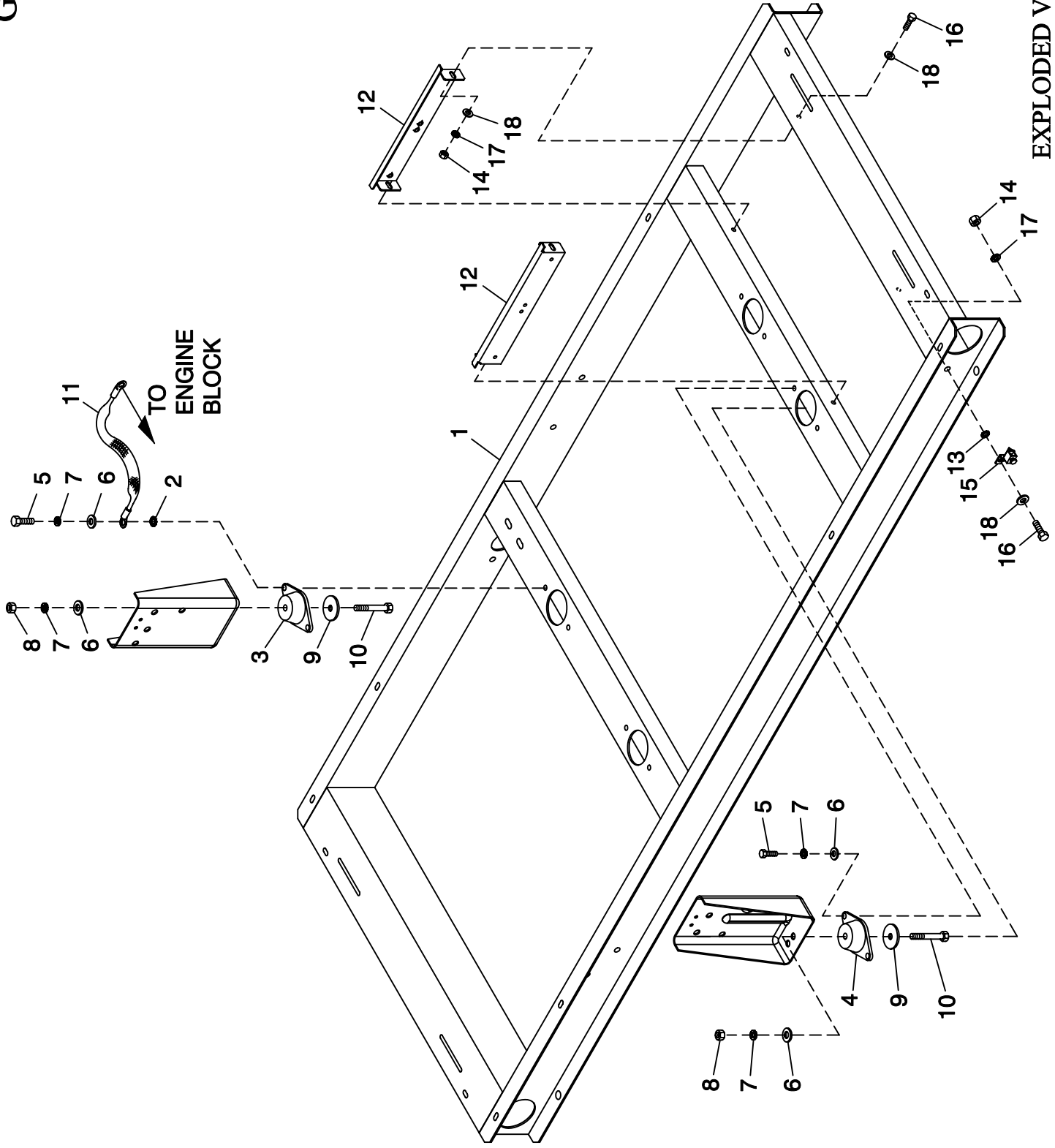
EXPLODED VIEW:
BATTERY C1 CPL
DRAWING #: 0F7422

REVISION: G-6517-D
DATE: 9/23/05

EXPLODED VIEW: BATTERY C1 CPL**DRAWING #: 0F7422****GROUP C****APPLICABLE TO:**

ITEM	PART #	QTY.	DESCRIPTION
1	0F3408B	1	BATTERY TRAY C1 CPL
2	0F3411	1	STRAP BATTERY RETAINMENT
3	025507	REF	WASHER SHAKEPROOF EXT 7/16 STL
4	052647	REF	SCREW SHC M10-1.5 X 25 G12.9
5	046526	REF	WASHER LOCK M10
6	022131	REF	WASHER FLAT 3/8-M10 ZINC
7	050331A	REF	BATT POST COVER RED +
8	050331	REF	BATT POST COVER BLK -
9	038805J	1	CABLE BATTERY BLK #1 X 30.00
10	038804U	1	CABLE BATTERY RED #1 X 28.00
11	045771	REF	NUT HEX M8-1.25 G8 YEL CHR
12	022129	REF	WASHER LOCK M8-5/16
13	027482	REF	WASHER SHAKEPROOF EXT 5/16 STL
14	0F3976	3	BOOT CONTACTOR CABLES
15	0C2454	4	SCREW THF M6-1 X 16 N WA ZJJS
16	022145	REF	WASHER FLAT 5/16-M8 ZINC
17	077483	REF	BATTERY 12VDC 75-AH 26
18	0742600131	1	ASSY WIRE #16 RED 1.6

GROUP C

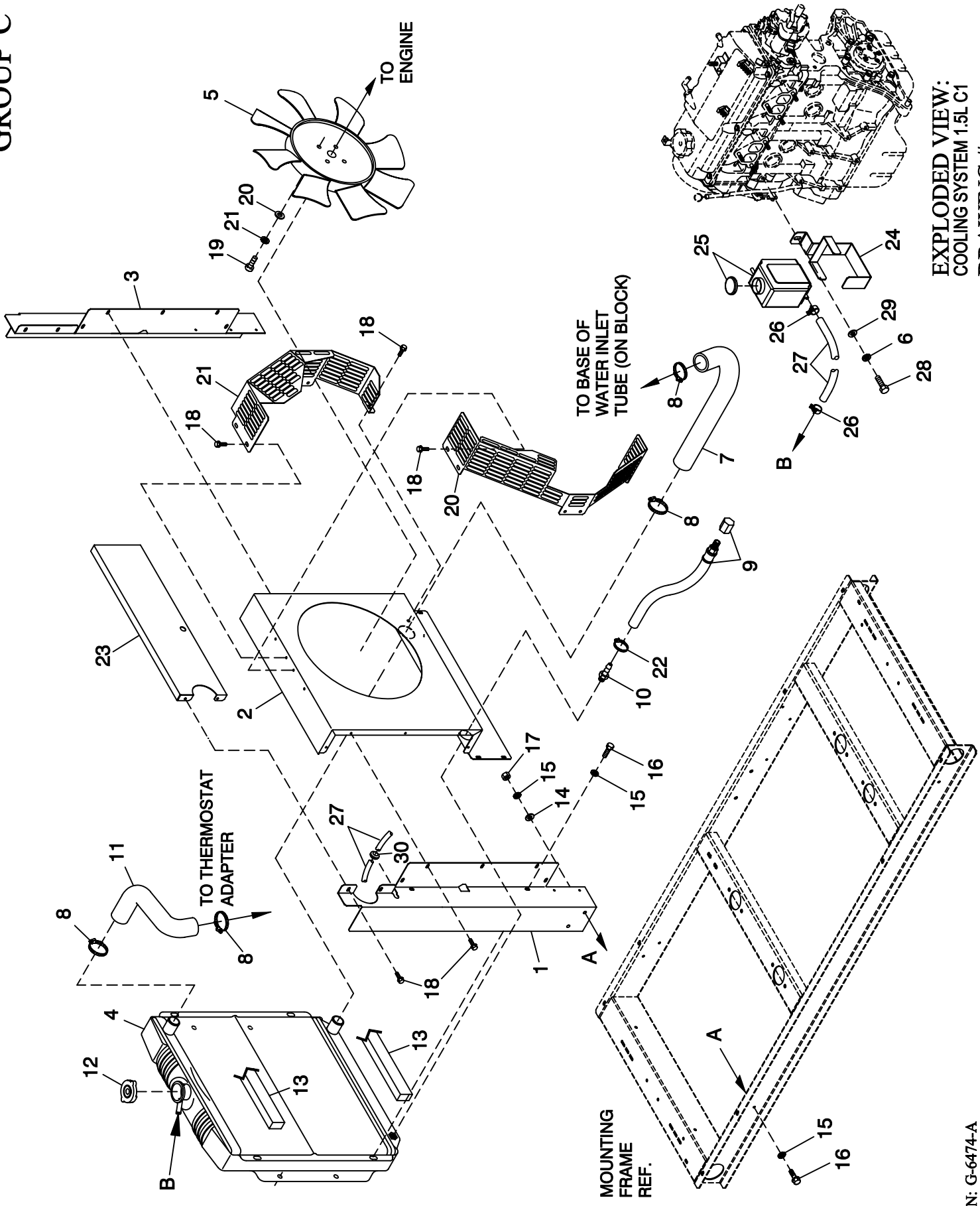


EXPLODED VIEW:
MOUNTING BASE
DRAWING #: 0F7456

EXPLODED VIEW: MOUNTING BASE**DRAWING #: 0F7456****GROUP C****APPLICABLE TO:**

ITEM	PART #	QTY.	DESCRIPTION
1	0F7155	1	MOUNTING BASE 1.5L C1 CPL
2	027482	2	WASHER SHAKEPROOF EXT 5/16 STL
3	070936	2	DAMPENER VIBRATION
4	070936C	2	VIB. ISO. 70-75 DURO
5	039253	8	SCREW HHC M8-1.25 X 20 G8.8
6	022145	12	WASHER FLAT 5/16 ZINC
7	022129	12	WASHER LOCK M8-5/16
8	045771	4	NUT HEX M8-1.25 G8 YEL CHR
9	071956	4	WASHER FLAT M8
10	051730	4	SCREW HHC M8-1.25 X 60 G8.8
11	021991	1	EARTH STRAP
12	0F7194	2	BRACKET PANEL SUPPORT 1.5L C1
13	026850	1	WASHER SHAKEPROOF EXT 1/4 STL
14	049813	5	NUT HEX M6 X 1.0 G8 YEL CHR
15	055414	1	LUG SLDLSS #2-#8 X 17/64 CU
16	047411	5	SCREW HHC M6-1.0 X 16 G8.8
17	022097	5	WASHER LOCK M6-1/4
18	022473	9	WASHER FLAT 1/4-M6 ZINC

GROUP C



EXPLODED VIEW:
 COOLING SYSTEM 1.5L C1
 DRAWING #: 0F7466

EXPLODED VIEW: COOLING SYSTEM 1.5L C1**DRAWING #: 0F7466****GROUP C****APPLICABLE TO:**

ITEM	PART #	QTY.	DESCRIPTION
1	0F7211	1	SUPPORT RADIATOR LH SIDE
2	0F7209	1	VENTURI 15" DIA FAN
3	0F7210	1	SUPPORT RADIATOR RH SIDE
4	0E9837A	1	RADIATOR 2.5L CPL
5	0E1936	1	FAN COOLING 15"
6	022129	1	WASHER LOCK M8-5/16
7	0F7166	1	RADIATOR HOSE LWR 1.5L C1 CPL
8	099502	4	CLAMP HOSE #24 B1.06-2.00
9	069860C	1	HOSE OIL DRAIN ASSY 21"
10	035461	1	BARBED STR 1/4 NPT X 3/8
11	0A6258	1	HOSE - UPPER RADIATOR
12	046627	1	CAP RADIATOR
13	052250	2	TAPE FOAM 1 X 1 (17" LG)
14	022473	8	WASHER FLAT 1/4-M6 ZINC
15	022097	16	WASHER LOCK M6-1/4
16	0C8566	8	SCREW HHFC M6-1.0 X 20 G8.8
17	049813	4	NUT HEX M6 X 1.0 G8 YEL CHR
18	0C2454	24	SCREW THF M6-1 X 16 N WA Z/J5
19	055816	4	SCREW HHC M6-1.0 X 70 G8.8
20	0F7594	4	GUARD FAN LH C1 CPL
21	0F7595	4	GUARD FAN RH C1 CPL
22	0C7649	1	CLAMP HOSE .38-.87
23	0F7320	1	BLOCK OFF UPPER
24	0F1433	1	BRACKET 2.5L FORD WATER BOTTLE
25	076749	1	TANK COOLANT RECOVERY
26	048031C	2	CLAMP HOSE BAND 1/4
27	029032	1	HOSE 9/32 ID (40" LG)
28	040976	1	SCREW SHC M8-1.25 X 20 G12.9
29	022145	1	WASHER FLAT 5/16-M8 ZINC
30	029107	1	GROMMET 7/8 X 3/16 X 5/8

EXPLODED VIEW: GOVERNOR ASSEMBLY

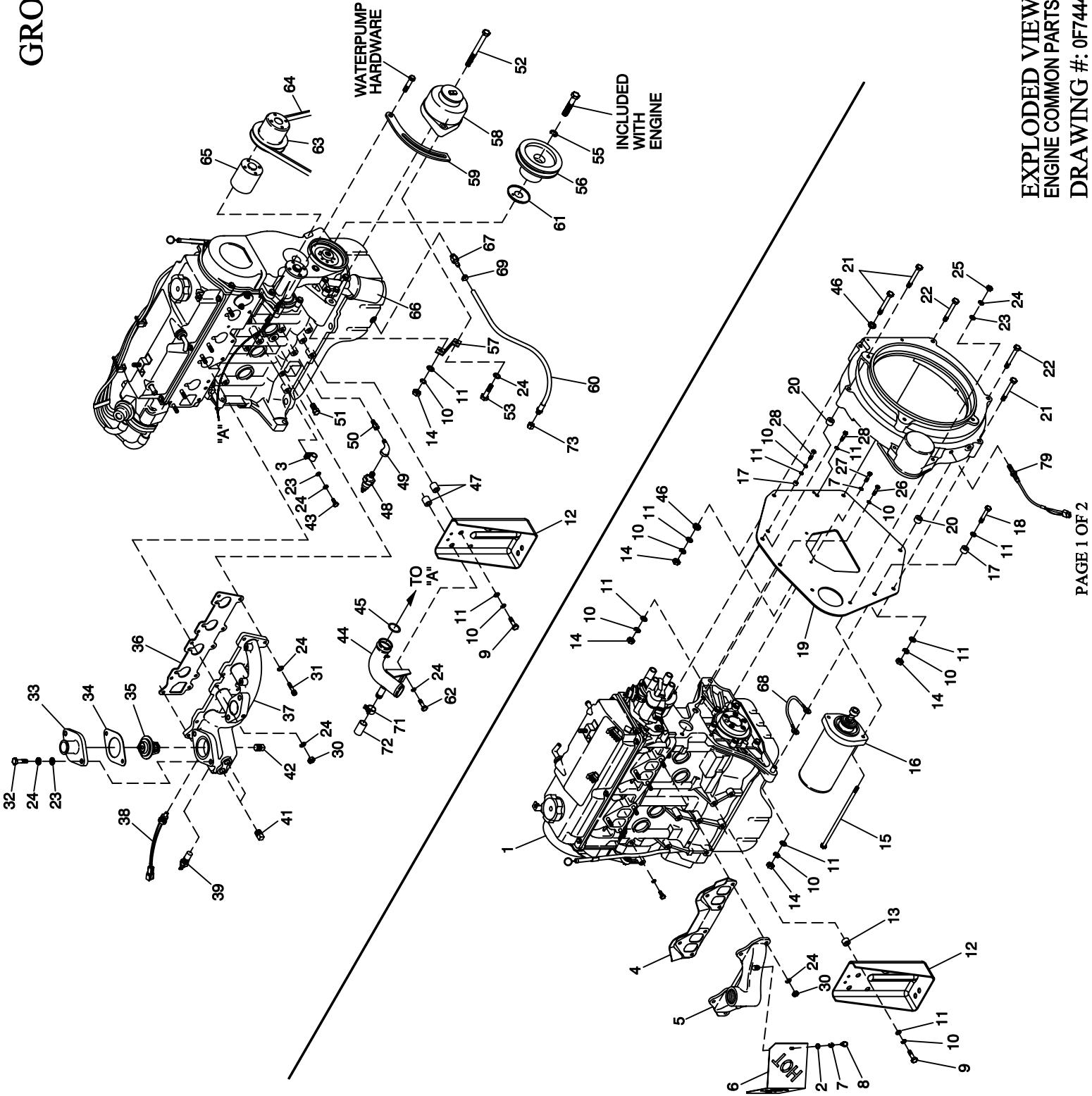
DRAWING #: 0A7216

GROUP D

APPLICABLE TO:

ITEM	PART #	QTY.	DESCRIPTION
1	098290	1	ASM MOTOR STEPPER
2	098941A	1	HOUSING GOVERNOR CONNECTOR
3	098958A	1	CONNECTOR INTERFACE ASSEMBLY
4	098942A	1	COVER CONNECTOR HOUSING
5	098225	2	SCREW FHM #2 X 5/8 SELF TAP
6	043146	3	SCREW HHC M6-1.0 X 10 G8.8
7	022097	5	WASHER LOCK M6-1/4
8	064526	2	SCREW TAP HWH #6-25 X 3/8 ZINC
9	098783	1	LEVER STEPPER MOTOR
10	037398	2	NUT LOCK HEX #10-32 NYL INS
11	0A7041	1	ASSEMBLY CARBURATOR LINKAGE
12	0A7106	1	BRACKET STEPPER MOTOR
13	074031	-	LIQUID NEOPRENE
14	029333A	1	TIE WRAP 7.4"X.19" BLK UL
15	022507	2	SCREW HHC 1/4-20 X 1/2 G5
16	022473	2	WASHER FLAT 1/4 ZINC

GROUP D



INCLUDED WITH ENGINE

EXPLODED VIEW:
ENGINE COMMON PARTS 1.5L CPL
DRAWING #: 0F7444

**EXPLODED VIEW: ENGINE COMMON PARTS 1.5L CPL
DRAWING #: 0F7444**

GROUP D

APPLICABLE TO:

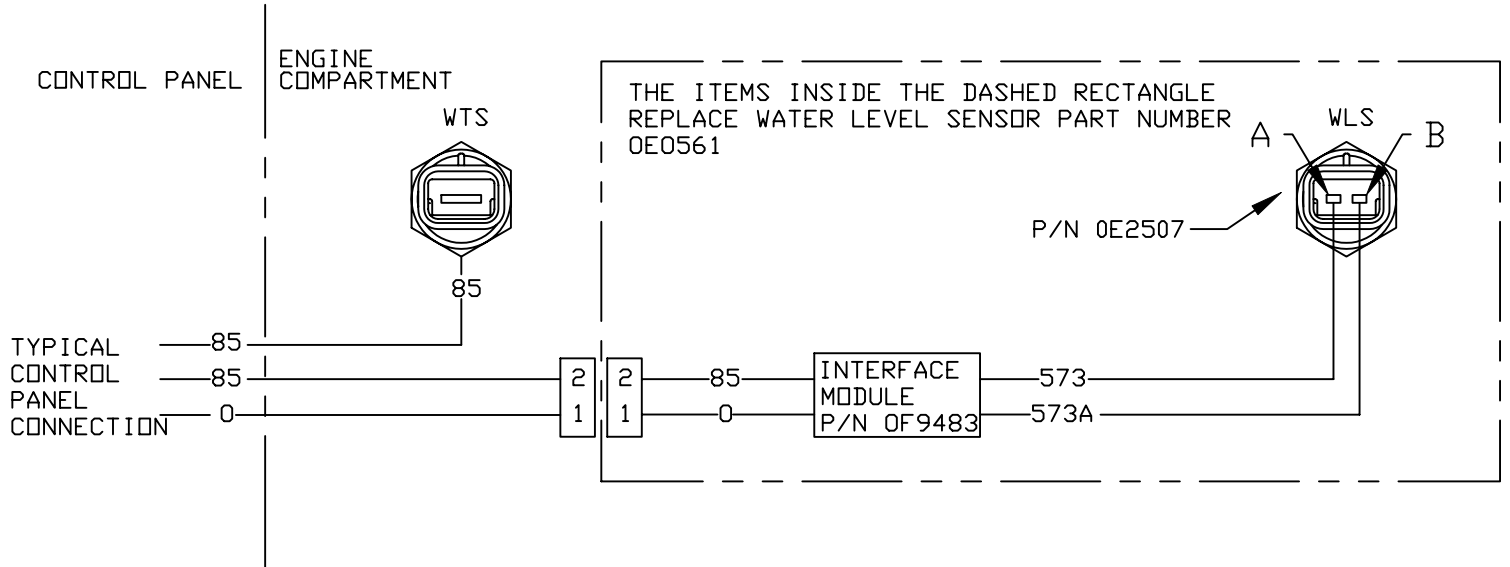
ITEM	PART #	QTY.	DESCRIPTION
1	0A4531	REF.	ENGINE-1.5L
2	022473	2	WASHER FLAT 1/4 ZINC
3*	055934C	1	CLAMP VINYL .5 X .406 Z
4	0A45310258	REF.	GASKET-EXHAUST MANIFOLD
5	0A4355	1	MANIFOLD-EXHAUST
6	0E2632	1	HEAT SHIELD EXH 1.5L
7	022097	4	WASHER LOCK M6-1/4
8	022507	2	SCREW HHC 1/4-20 X 1/2 G5
9	052212	4	SCREW HHC M10-1.25 X 25 G8.8
10	046526	4	WASHER-LOCK-M10
11	022131	20	WASHER FLAT 3/8 ZINC
12	0C2499	2	STAMPING ENG FOOT
13	055993	1	SPACER .41 X .75 X .12 STL/ZNC
14	045772	1	NUT HEX M10-1.5 G8 YEL CHR
15	023586	2	SCREW SHC 5/16-18 X 2 G8.8 NZ
16	020692	1	STARTER-12V
17	0A7005	2	SPACER .56 X 1 X .37 ST/ZNC
18	052243	1	SCREW HHC M10-1.5 X 60 G8.8
19	0A4772	1	ENGINE PLATE
20	070901	2	SLEEVE DOWEL BLHSG
21	051735	3	SCREW HHC M10-1.5 X 70 G8.8
22	056768	3	SCREW HHC M10-1.5 X 90 G8.8
23	022145	12	WASHER FLAT 5/16 ZINC
24	022129	19	WASHER LOCK M8-5/16
25	022259	2	NUT HEX 5/16-18 STEEL
26	052213	11	SCREW HHC M10-1.25 X 20 G8.8
27	047411	2	SCREW HHC M6-1.0 X 16 G8.8
28	052830	1	SCREW HHC M10-1.25 X 45 G8.8
30	045771	12	NUT HEX M8-1.25 G8 YEL CHR
31	058306	5	SCREW SHC M8-1.25 X 25 G12.9
32	030795	2	SCREW HHC 5/16-18 X 1 G5
33	0A2711A	1	ADAPTER-THERMOSTAT
34	048665	1	GASKET THERMOSTAT
35	075885	1	THERMOSTAT 195 DEG
36	0A45310257	REF.	GASKET INLET MANIFOLD
37	0E1100	1	MANIFOLD INTAKE MACHINED
38	0E0561	1	ASSY WATER LEVEL SENSOR C/E PL
39	0A6751	1	SW-TMP 245 DEG 3/8 NPT
41	026925	2	PLUG STD PIPE 3/8 STEEL SQ HD
42	061012	1	PLUG STD PIPE 1/8 SCKT HD
43	039253	5	SCREW HHC M8-1.25 X 20 G8.8
44	0A5110	1	PIPE WATER-INLET
45	0A7006	1	O-RING 1-1/16 X 1-5/16 X 1/8
46	025507	2	WASHER SHAKEPROOF EXT 7/16 STL
47	022500B	2	SPACER .41 X .75 X .25 ST/ZNC
48	0A8584	1	SWITCH OIL PRESSURE
49	036277	1	ELBOW 90D STREET 1/8
50	042574	1	ADAPTOR 1/8 NPTF TO 1/8-28
51	026073A	1	PLUG STD PIPE 1/4 STEEL SQ HD
52	0A6701	1	SCREW HHC M10-1.5 X 110 G8.8
53	039414	1	SCREW HHC M8-1.25 X 35 G8.8
55	051769	1	WASHER LOCK M12
56	0A4800A	1	PULLEY-CRANKSHAFT (3600 RPM)
57	0A5839	1	BRACKET - ALT SUPPRT
58	0A1354B	1	DC ALTERNATOR-12V
59	0A4839	1	ARM ADJUST ALTERNATOR
60	069860C	1	HOSE ASM.-OIL DRAIN
61	0F3856	1	GUARD CRANKSHAFT 1.5L
62	058443	2	SCREW CRIMPTITE 1/4-20 X 5/8
63	0A2628	1	PULLEY - FAN 95 DIA
64	0A5586	1	V-BELT 3/8 X 28.9D
65	0A4814	1	SPACER PULLEY
66	0A45310244	REF.	FILTER OIL
67	0C1852	1	ADAPTER DRAIN OIL
68	0912970066	1	GROUND WIRE (STARTER)
69	070928	1	CLAMP HOSE - OIL DRAIN
70	069860C	1	HOSE OIL DRAIN ASSY 21"

ITEM	PART #	QTY.	DESCRIPTION
71	035473	1	CLAMP HOSE #12 .50-1.25
72	077996	1	CAP ANTIFREEZE RUBBER
73	069811	1	CAP HEX 1/4 NPT BRASS
74**	0A1354A	1	REGULATOR - DC ALT
75**	042568	2	SCREW HHC M6-1.0 X 20 G8.8
76**	022473	2	WASHER FLAT 1/4-M6 ZINC
77**	022097	2	WASHER LOCK M6-1/4
78**	049813	2	NUT HEX M6 X 1.0 G8 YEL CHR
79	0D2244M	1	ASSY MAGPICKUP (3/8-24 MALE)

* CLAMP FOR WIRING HARNESS (NOT SHOWN)

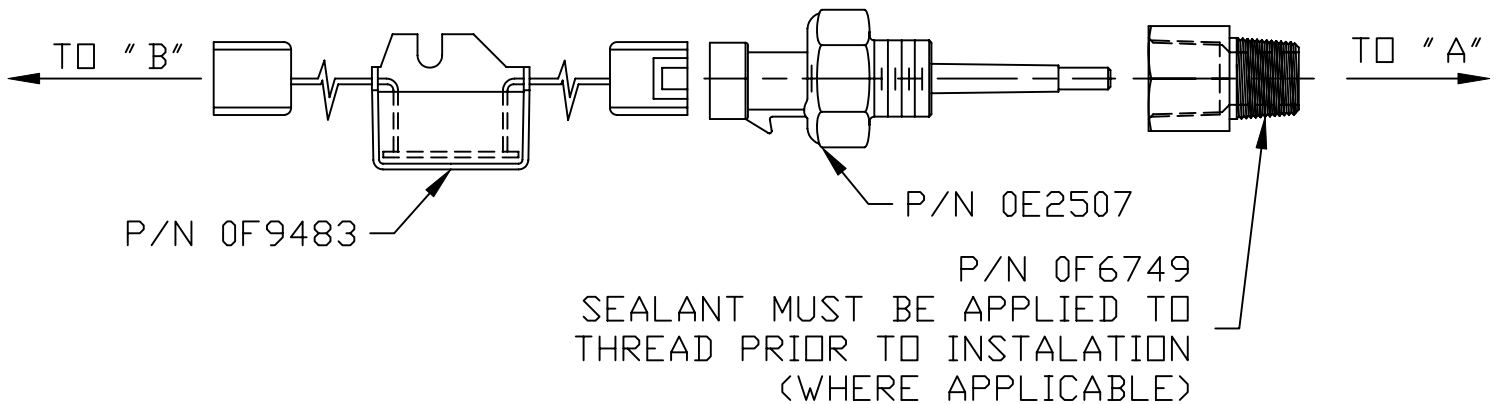
** NOT SHOWN

GROUP D



WIRING DIAGRAM FOR NEW COOLANT LEVEL SENSOR

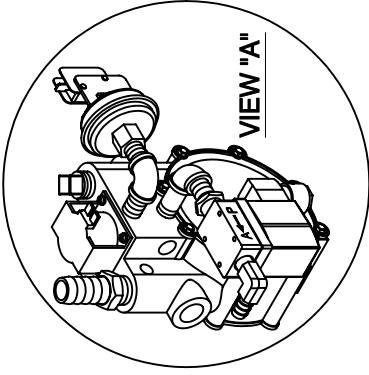
MECHANICAL DIAGRAM FOR NEW COOLANT LEVEL SENSOR INSTALATION



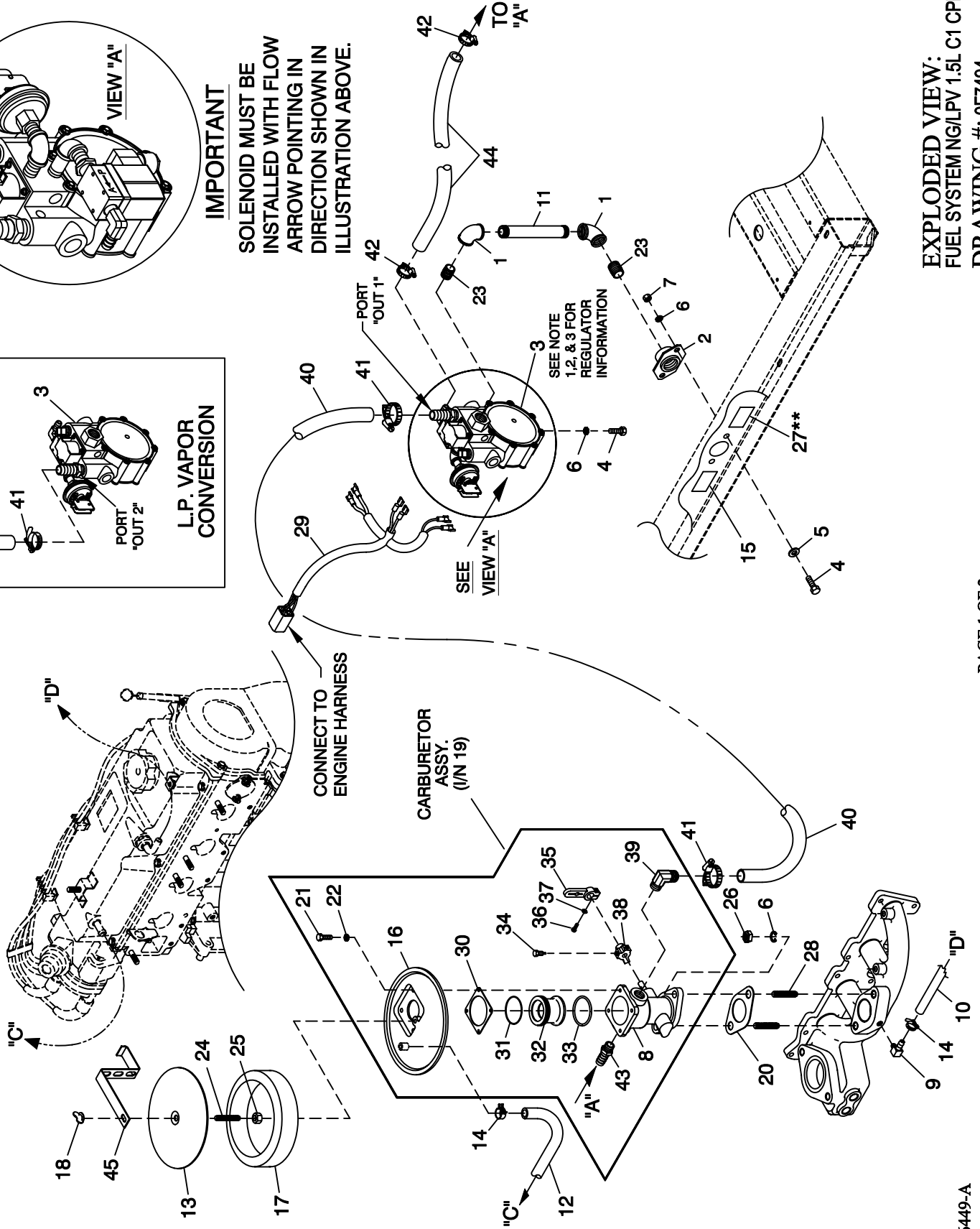
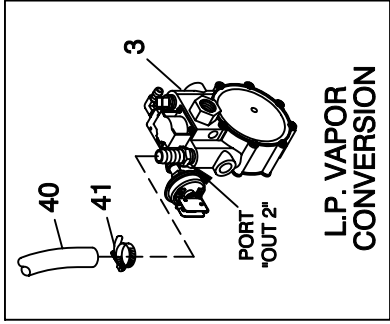
"A" = EXISTING COOLANT LEVEL SENSOR LOCATION ON UNIT
 "B" = EXISTING COOLANT LEVEL SENSOR WIRE HARNESS CONNECTOR

BLANK PAGE

GROUP E



IMPORTANT
SOLENOID MUST BE
INSTALLED WITH FLOW
ARROW POINTING IN
DIRECTION SHOWN IN
ILLUSTRATION ABOVE.



**EXPLODED VIEW:
FUEL SYSTEM NGL/PV 1.5L C1 CPL
DRAWING #: 0F7494**

EXPLODED VIEW: FUEL SYSTEM NG/LPV 1.5L C1 CPL
 DRAWING #: 0F7494

GROUP E

APPLICABLE TO: 1.5L

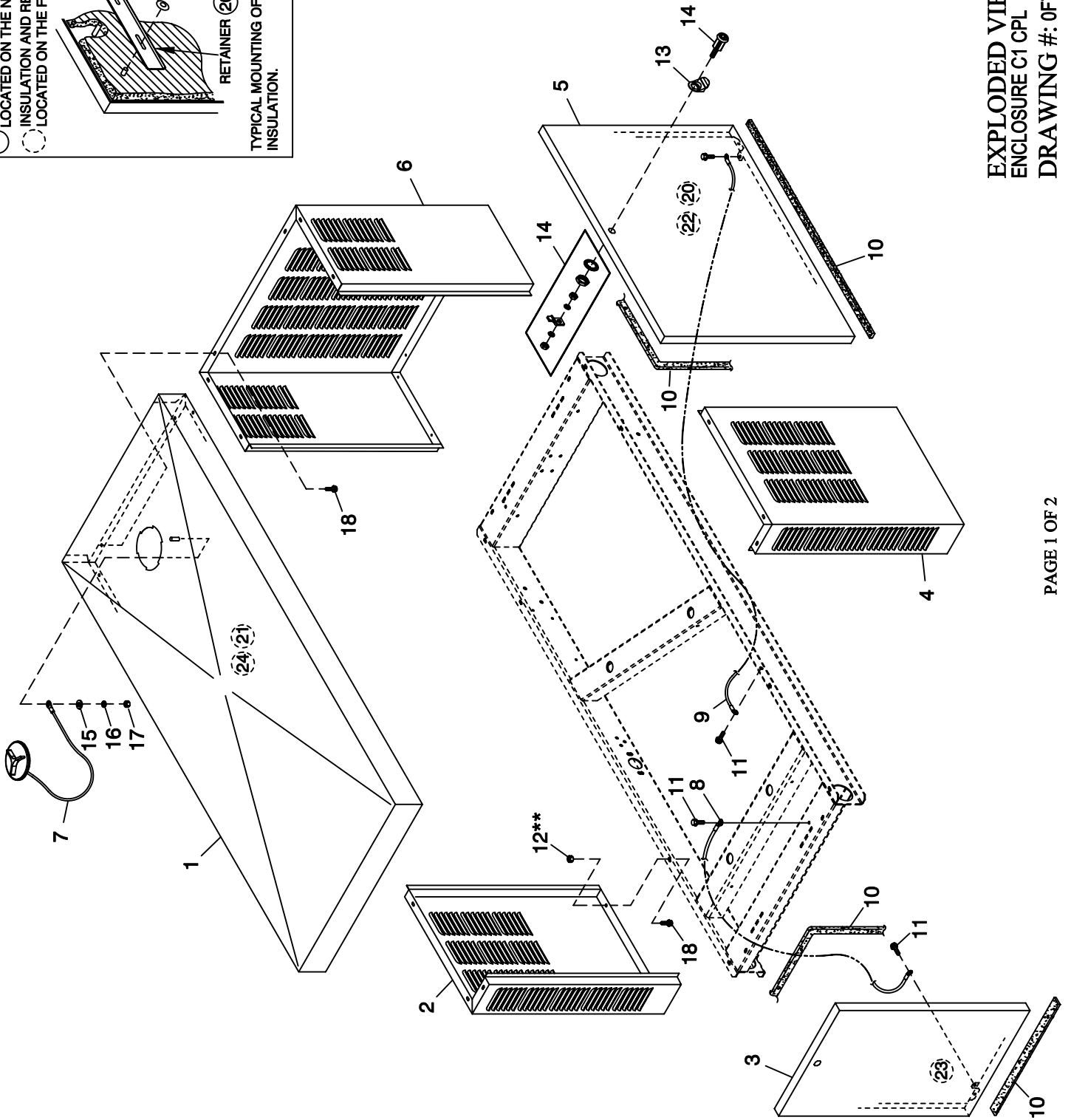
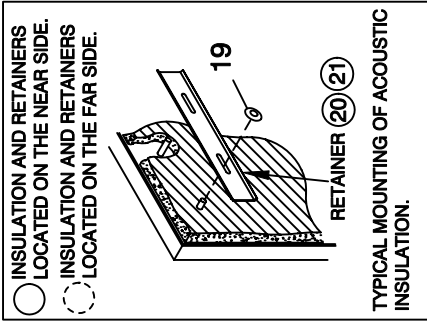
ITEM	PART #	QTY.	DESCRIPTION
1	026812	2	ELBOW 90D 3/4 NPT
2	075580	1	FLANGE FUEL INLET
3	0F6364A	1	FUEL RGLTR 1.5L REWORK
4	039253	4	SCREW HHC M8-1.25 X 20 G8.8
5	022145	2	WASHER FLAT 5/16 ZINC
6	022129	6	WASHER LOCK M8-5/16
7	045771	2	NUT HEX M8-1.25 G8 YEL CHR
8 *	0F1570	1	BODY CARBURETOR ASSEMBLY
9	032552	1	BARBED EL 90 5/16 X 1/8 NPT
10	029032	1	HOSE 9/32 ID
11	025424	1	NIPPLE PIPE 3/4 NPT X 6
12	0F0397	1	HOSE CRANKCASE BREATHER
13	0A5547	1	COVER AIR CLEANER
14	048031C	4	CLAMP HOSE BAND 1/4
15	0D1509	1	DECAL INLET PRESSURE
16 *	0E0591	1	ADAPTER CARB. TO AIR CLNR
17	059402	1	FILTER ELEMENT
18	037561	1	NUT WING 1/4-20 NYLK
19	0E1028C	1	ASSY CARBURETOR 1.5L C1 CPL
20	059401	1	CARBURETOR GASKET
21 *	091526	4	SCREW PPHM M5-0.8 X 12 ZNC
22 *	049226	4	WASHER LOCK M5
23	026915	2	NIPPLE CLOSE 3/4 X 1.375
24	062522	1	STUD TH 1/4-20 X 3 G2 ZNC FULL
25	022127	1	NUT HEX 1/4-20 STEEL
26	022259	2	NUT HEX 5/16-18 STEEL
27 **	050279	1	DECAL FUEL INLET NG
	050280	1	DECAL FUEL INLET LPG
28	0A6125	2	STUD 5/16-18 X 1.25 F THR
29	0F6155	1	HARNESS FUEL JUMPER SINGLE REG
30 *	0E1104	1	GASKET AIR CLEANER ADAPTER
31 *	0E0668	1	O-RING 2-028 1.38 X 1.50 X .06
32 *	0E0590	1	VENTURI 18MM
33 *	0C5133	1	O-RING 29.82 X 2.62
34 *	0E0665	1	SCREW THROTTLE PIN STOP
35 *	0E1108	1	THROTTLE ARM REWORK
36 *	033138	1	SCREW HHM #10-32 X 5/8
37 *	022152	1	WASHER LOCK #10
38 *	0E0645	1	LEVER THROTTLE STOP
39 *	034339	1	BARBED EL 90 3/8 NPT X 5/8
40	059194	1	HOSE 5/8 ID LPG & NG (24" LG)
41	057823	2	CLAMP HOSE #10 .56 - 1.06
42	040173	2	CLAMP HOSE #5.5 .62-.62
43 *	089617	1	BARBED STR 1/4 NPT X 1/4 MALE
44	030340	1	HOSE 1/4 ID SAE 30R7
45	0A7040	1	BRACKET-RAD HOSE

* INCLUDED IN ITEM 19 (CARBURETOR ASSY)

NOTES:

- REGULATOR (I/N 3) AS SHOWN IN ILLUSTRATION IS SET UP FOR NATURAL GAS APPLICATION.
- TO CONFIGURE REGULATOR FOR LP VAPOR, SWITCH HOSE BARB, HOSE CLAMP (I/N 41) AND HOSE (I/N 40) FROM "OUT-1" TO "OUT-2". REPLACE PIPE PLUG FROM "OUT-2" TO "OUT-1". USE PIPE SEALANT ON HOSE BARB AND PIPE PLUG. MAKE SURE TO KEEP PORTS FREE FROM DEBRIS DURING RECONFIGURATION PROCESS.
- ** FOR LP VAPOR APPLICATION SUBSTITUE LPG FUEL INLET DECAL P/N 050280 FOR NG FUEL INLET DECAL P/N 050279 (ITEM 27).
- WHEN SWITCHING FUEL TYPES, THE PROPER DIP SWITCH SITTINGS MUST BE MADE TO THE CONTROL PANEL. SEE OWNERS MANUAL, FUEL SECTION FOR MORE DETAILS.

GROUP F



EXPLODED VIEW:
 ENCLOSURE C1 CPL
 DRAWING #: 0F7356

EXPLODED VIEW: ENCLOSURE C1 CPL

DRAWING #: 0F7356

GROUP F

APPLICABLE TO:

ITEM	PART #	QTY.	DESCRIPTION
1	0F7003 (XX)	1	ROOF C1 CPL
2	0F7004 (XX)	1	CORNER POST LH SIDE C1 CPL
3	0F7008 (XX)	1	DOOR REAR C1 CPL
4	0F7005 (XX)	1	CORNER POST RH SIDE C1 CPL
5	0F7007 (XX)	2	DOOR LH & RH SIDE C1 CPL
6	0F7006 (XX)	1	DUCT FRONT DISCHARGE C1 CPL
7	0C2634A	1	ASSEMBLY COVER ACCESS
8	0912970091	1	ASSY WIRE 14AWG 13.8" GRN/YEL
9	0912970090	2	ASSY WIRE 14AWG 33.5" GRN/YEL
10	0E5968	1	GASKET EXTRUDED TRIM (356" LG)
11	0E3257	6	SCREW HWHTF M6-1.0 X 16
12 **	077992	18	NUT HEX LOCK M6-1.0 SS NY INS
13	0F5049	3	TAB PULL
14	0F5048	3	LATCH VISE ACTION 5/16 HEX SKT
15	022473	1	WASHER FLAT 1/4-M6 ZINC
16	022097	1	WASHER LOCK M6-1/4
17	022127	1	NUT HEX 1/4-20 STEEL
18	0C2454	24	SCREW THF M6-1 X 16 N WA Z/JS
19	078115	20	WASHER SELF LOCKING DOME
20	0F3890B	2	RETAINER INSULATION (820)
21	0F3890	4	RETAINER INSULATION (450)
22	0F7365	2	INSULATION SIDE DOOR C1
23	0F7365B	1	INSULATION REAR DOOR C1 CPL
24	0F7365A	1	INSULATION ROOF C1 CPL

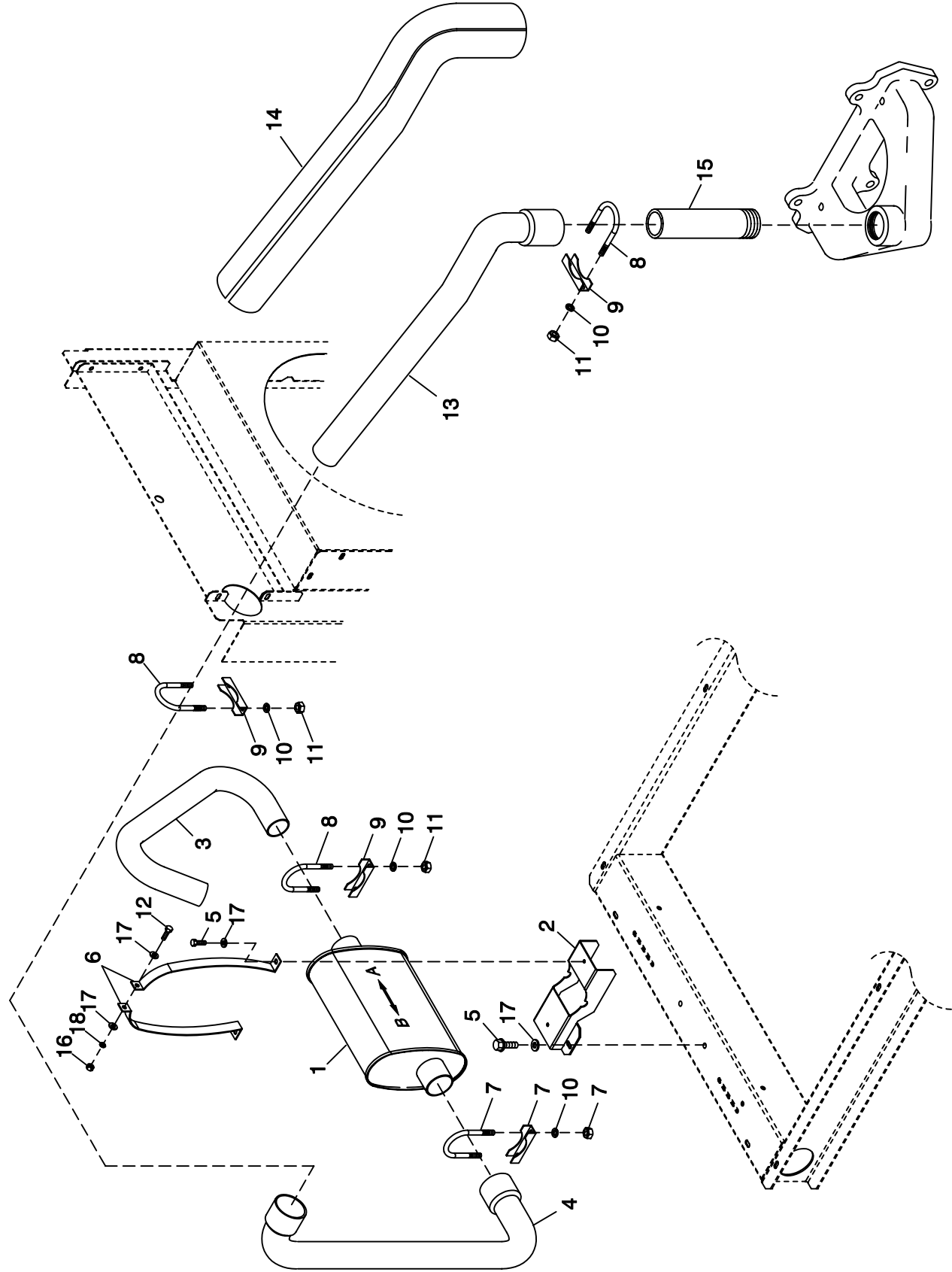
OPTIONAL COMPARTMENT MATERIALS:

ALL P/N'S WITH AN (XX) SUFFIX INDICATE A MULTIPLE MATERIAL AND COLOR OPTION.
USE THE FOLLOWING LEGEND TO IDENTIFY THE CORRECT PART NUMBER:

PART NO.	MATERIAL	COLOR
0XXXXXSN	STEEL	TAN
0XXXXXAN	ALUMINUM	TAN
0XXXXXSG	STEEL	GRAY
0XXXXXAG	ALUMINUM	GRAY

** ALUMINUM ENCLOSURE NOTE: ALL ENCLOSURE PANELS THAT FASTEN TO THE BASE FRAME MUST BE SECURED USING ITEM 18 & 11 THREAD FORMING FASTENER AND ITEM 12 LOCK NUT. LOCK NUT IS TO BE INSTALLED AFTER THREAD FORMING FASTENER HAS PENETRATED THROUGH EXTRUSIONS IN ENCLOSURE PANELS. ALL ROOF PANELS ARE TO BE SECURED IN THE SAME MANNER.

GROUP F



EXPLODED VIEW: EXHAUST SYSTEM**DRAWING #: 0F7492****GROUP F****APPLICABLE TO:**

ITEM	PART #	QTY.	DESCRIPTION
1	0F7366	1	MUFFLER C1
2	0F7647	1	MUFFLER SADDLE
3	0F8095	1	PIPE EXHAUST OUTLET
4	0F7538	1	PIPE EXH INLET MUFLR SIDE 1.5L
5	0E3257	4	SCREW HWHTF M6-1.0 X 16
6	0F7644	2	MUFFLER STRAP
7	0C6119	1	BOLT U 5/16-18 X 2-1/4
8	036434	3	BOLT U 5/16-18 X 2.09
9	036449	3	SADDLE 2 INCH
10	022129	8	WASHER LOCK M8-5/16
11	022259	6	NUT HEX 5/16-18 STEEL
12	038750	1	SCREW HHC M6-1.0 X 30 G8.8
13	0F7539	1	PIPE EX INLET MANIFLD SIDE 1.5
14	0E0170	1	EXHAUST BLANKET 800MM
15	0E2844	1	NIPPLE TOE 1.5NPTX5.5 BLK IRON
16	049813	1	NUT HEX M6 X 1.0 G8 YEL CHR
17	022473	6	WASHER FLAT 1/4-M6 ZINC
18	022097	1	WASHER LOCK M6-1/4