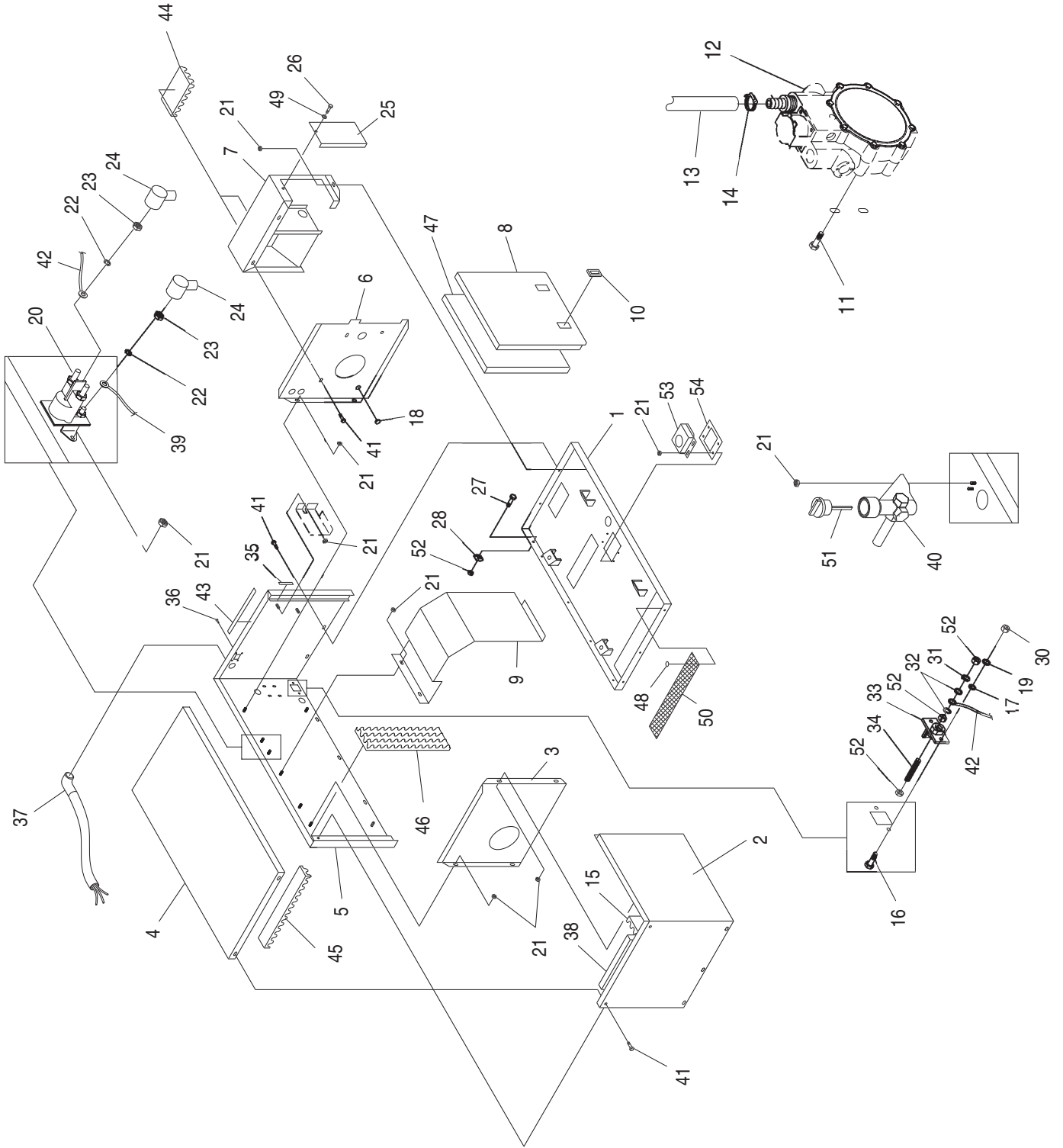


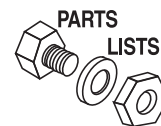
**Appendix 3 – Exploded Views and Parts Lists**

**Recreational Vehicle Generator Enclosure – Drawing No. 0F4589**



### Appendix 3 – Exploded Views and Parts Lists

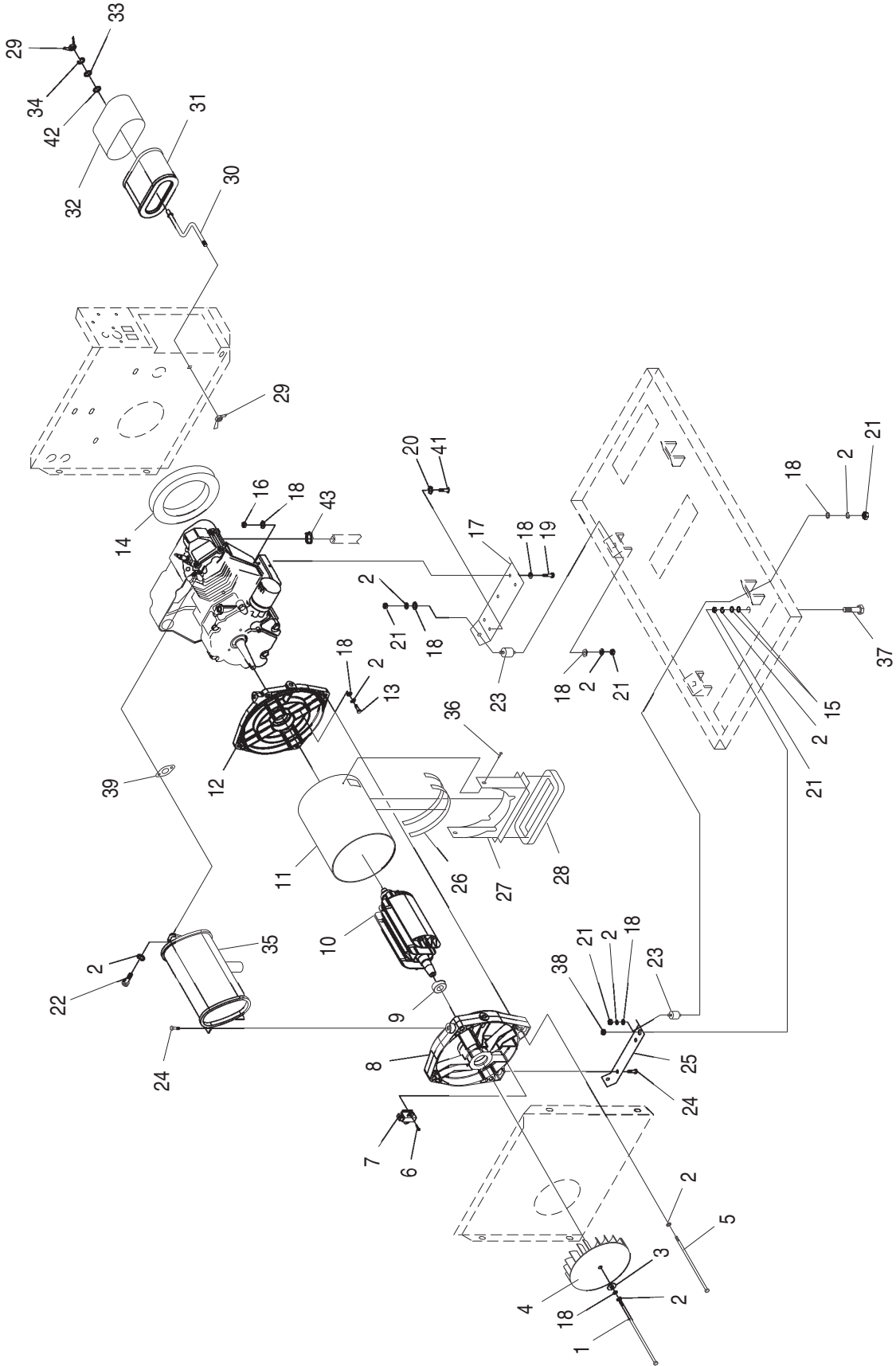
#### Recreational Vehicle Generator Enclosure – Drawing No. 0F4589



ITEM	PART NO.	QTY.	DESCRIPTION
1	0F3916	1	TRAY, ENCLOSURE
2	0D6942	1	PANEL, ENCLOSURE SIDE
3	0D6939	1	PANEL, REAR DIVIDER
4	0F3920	1	PANEL, ENCLOSURE ROOF
5	0F3917	1	PANEL, ENCLOSURE BACK
6	0F3918	1	PANEL, FRONT DIVIDER
7	0F3919	1	COMPARTMENT, AIR INTAKE
8	0D6944	1	PANEL, ENCLOSURE DOOR
9	0D8254	1	SHIELD, MUFFLER
10	0C5644	2	SLIDE LATCH, FLUSH
11	0A1495	4	SCREW HHTT M4-0.7 X 10MM
12	0E1742A	1	LP REGULATOR
13	047290	1	HOSE 3/8" I.D. SINGLE BRAID 33" LONG
14	048031E	1	HOSE CLAMP BAND 3/8"
15	0D8628B	1	FOAM, FRONT AIR OUT COMPARTMENT
16	047411	2	SCREW HHC M6-1.0 X 16
17	022473	2	WASHER FLAT 1/4"
18	023484S	1	BUSHING, 1.09" SNAP
19	022097	2	WASHER LOCK M6-1/4"
20	086729	1	CONTACTOR, STARTER
21	0D3700	22	NUT FLANGE M6-1.0 NYLOK
22	022129	2	WASHER LOCK M8-5/16"
23	022259	2	NUT HEX 5/16"-18
24	075763A	2	BOOT BATTERY CABLE
25	0D7293	1	PANEL AIR BOX COVER
26	064113	1	SCREW, M6-1.00 X 20MM WING
27	0C7561	1	BOLT CARR 3/8"-16 X 1" BRASS
28	0A4456	1	3/8" SPECIAL L/WASHER
30	049813	2	NUT HEX M6 X 1.0
31	022237	1	WASHER LOCK 3/8"
32	022131	2	WASHER FLAT 3/8-M10"
33	0C5443	1	BLOCK, TERMINAL BATTERY POST
34	0C7423	1	STUD 3/8"-16 X 2"-1/4" BRASS
35	029451	2.1'	TAPE FOAM 1/8" X 1/2"
36	074908	4	SCREW HHTT M5-0.8 X 10
37	0D8717	1	CUSTOMER CONNECTION HARNESS
38	0D9020	1	FOAM, AIR OUT COMPARTMENT SIDE
39	0742600144	1	CABLE, STARTER
40	0E0724	1	ASSEMBLY OIL DRAIN
41	0A7215	20	SCREW SW 1/4"-20 X 5/8" WITH NYLON WASHER
42	0742600143	1	CABLE, BATTERY CONNECTION
43	029451A	8.75'	FOAM TAPE 1/16" X 1/2"
44	0D8627	2	FOAM, AIR INTAKE COMPARTMENT
45	0D8628	1	FOAM, ROOF AIR OUT COMPARTMENT
46	0D8628A	1	FOAM, BACK COMPARTMENT
47	0D8691	1	FOAM, DOOR PANEL
48	0D7176	4	WASHER SELF LOCKING 1"
49	0A2115	1	WASHER NYLON .250"
50	0D9282	1	HARDWARE CLOTH COMPARTMENT AIR OUT
51	0E0393	1	ASSEMBLY, CAP & DIPSTICK
52	0C7968	4	NUT HEX JAM 3/8"-16 BRASS
53	0E0014	1	BOX, MUFFLER TAIL PIPE
54	0E0017	1	GASKET, MUFFLER TAIL PIPE BOX

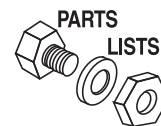
**Appendix 3 – Exploded Views and Parts Lists**

**Recreational Vehicle Generator  
Generator – Drawing No. 0F4590**



### Appendix 3 – Exploded Views and Parts Lists

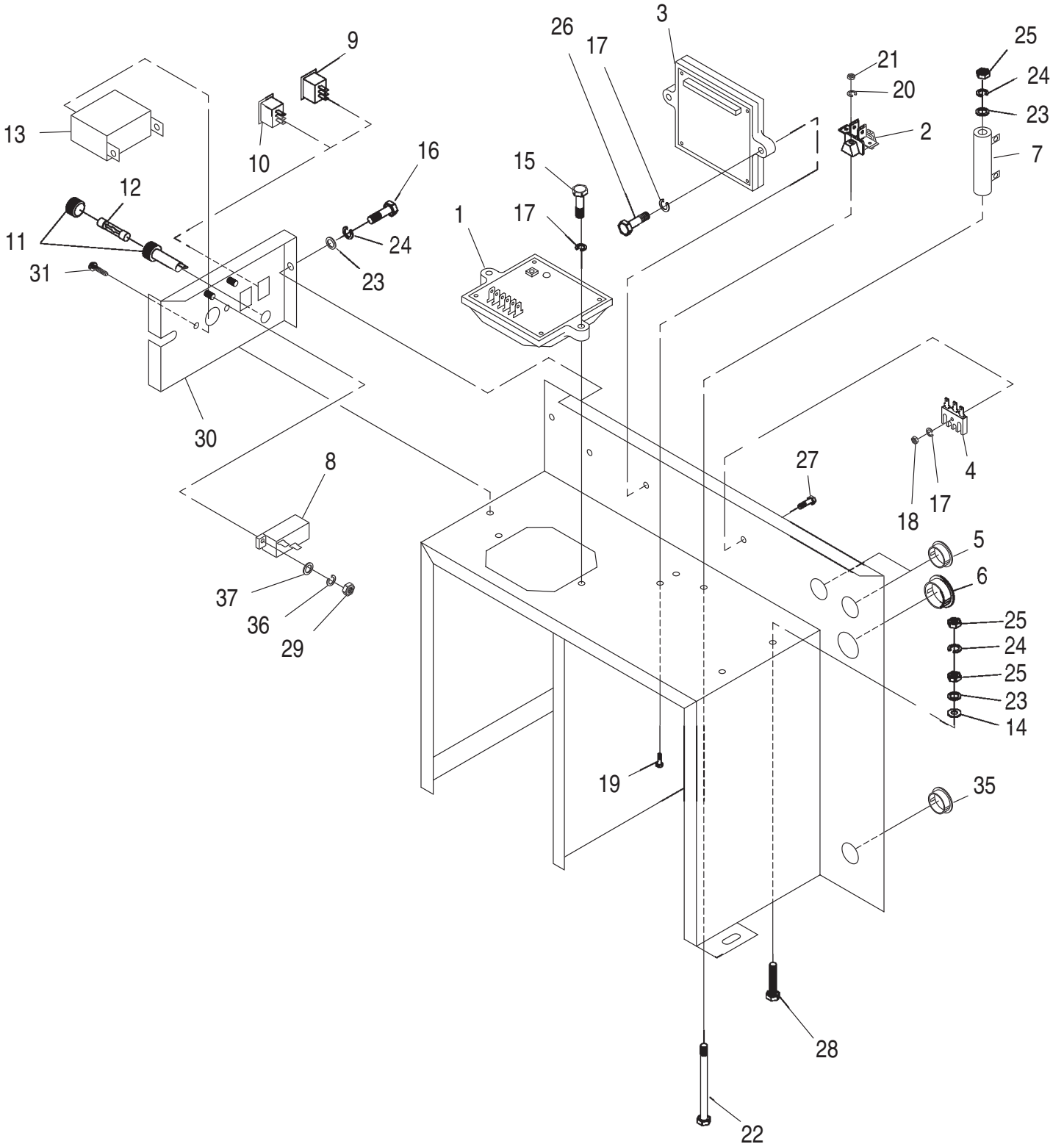
#### Recreational Vehicle Generator Generator – Drawing No. 0F4590



ITEM	PART NO.	QTY.	DESCRIPTION
1	050322	1	SCREW IHHC 5/16"-24 X 9-3/4"
2	022129	22	WASHER LOCK M8-5/16"
3	049451	1	WASHER FLAT .406" I.D. X 1.62" O.D.
4	0C8096A	1	FAN, 8" CURVE BLADE, 16.5MM I.D.
5	0D8120	4	SCREW IHHC M8-1.25 X 260MM
6	066849	2	SCREW HHTT M5-0.8 X 16
7	066386	1	ASSEMBLY, BRUSH HOLDER
8	0D4217	1	CARRIER, REAR BEARING
9	073159	1	BEARING
10	0D4484H	1	ROTOR
11	0D4430H	1	STATOR
12	0D4216	1	ADAPTOR, ENGINE
13	048614	4	SCREW HHC 5/16"-24 X 3/4"
14	0D2588A	1	GASKET, FRONT DIVIDER
15	022131	4	WASHER FLAT 3/8"-M10
16	027028	4	NUT LOCK HEX 5/16"-18 NYLON INSERT
17	0D6832	1	BRACKET, ENGINE MOUNTING
18	022145	18	WASHER FLAT 5/16"
19	030231	3	SCREW HHC 5/16"-18 X 1-1/2"
20	0C3168	1	5/16" SPECIAL LOCK WASHER
21	022259	10	NUT HEX 5/16"-18
22	0C8565	2	SCREW SHC M8-1.25 X 18MM
23	0D8048	4	VIBRATION MOUNT
24	083512	6	SCREW HHTT M8-1.2 X 16MM
25	0D6831	1	BRACKET, ALTERNATOR MOUNTING
26	029451	2.14'	TAPE ELEC. UL FOAM 1/8" X 1/2"
27	0D6918	1	DUCT, ALTERNATOR AIR
28	0D2558	1	GASKET, ALTERNATOR DUCT
29	087680	2	NUT WING M6-1.0
30	0D7530	1	STUD, M6-1.0 OFFSET
31	0D9723	1	ELEMENT, AIR FILTER
32	0D4511	1	PRECLEANER, AIR
33	0D8451	1	WASHER FLAT .281" I.D. X 1.50" O.D.
34	022097	1	WASHER LOCK M6-1/4"
35	0D7440	1	MUFFLER
36	090388	2	SCREW HHTT M6-1.0 X 12MM
37	0D7441	2	BOLT CARR 5/16"-18 X 2"
38	081105	2	NUT FLANG 5/16"-18 LOCK
39	089476	1	GASKET, EXHAUST
41	022531	1	SCREW HHC 5/16"-18 X 1-3/4"
42	0D8981	1	FILTER GASKET RV
43	048031E	1	HOSE CLAMP 3/8"

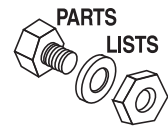
**Appendix 3 – Exploded Views and Parts Lists**

**Recreational Vehicle Generator  
Control Panel – Drawing No. 0F4591**



### Appendix 3 – Exploded Views and Parts Lists

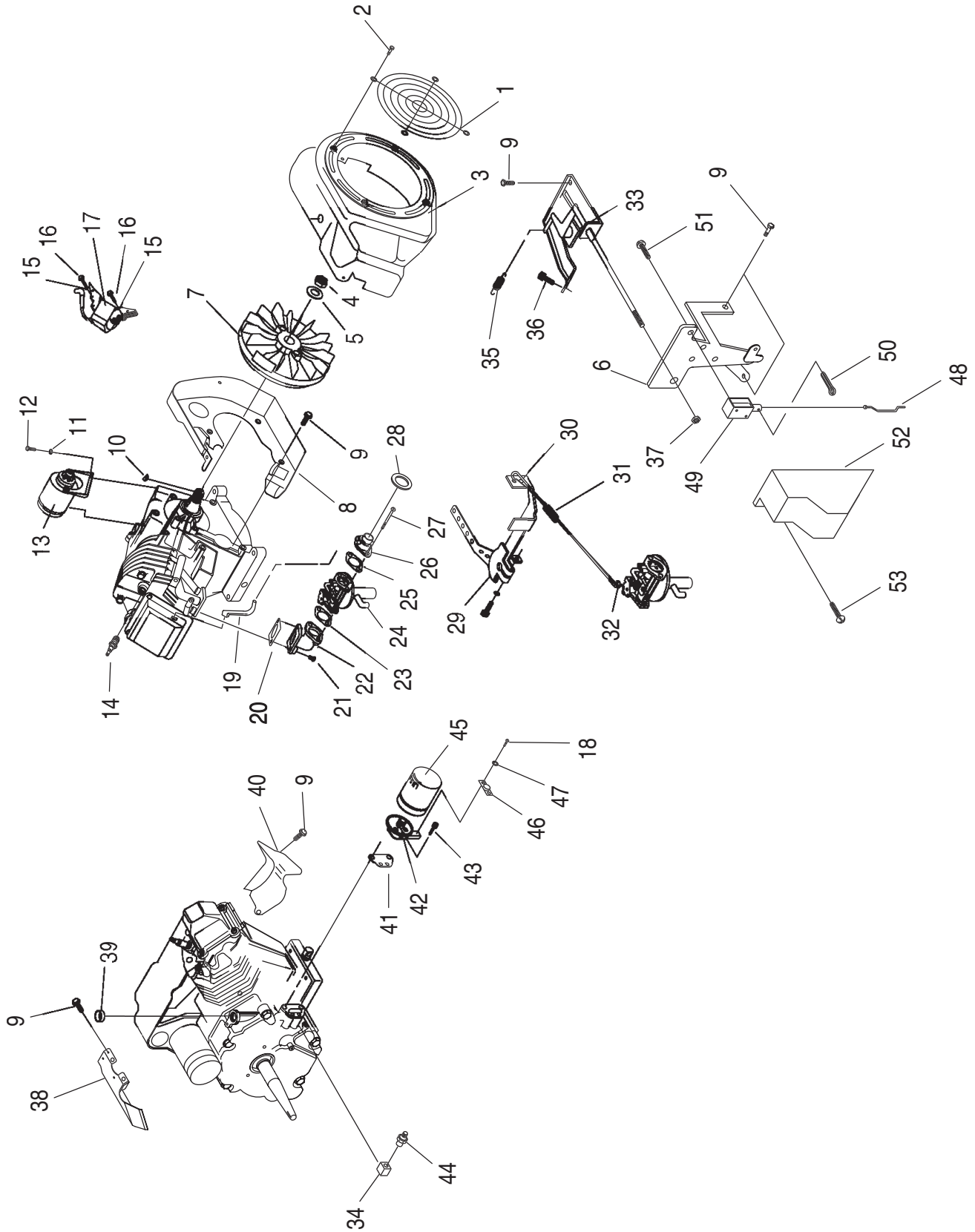
#### Recreational Vehicle Generator Control Panel – Drawing No. 0F4591



ITEM	PART NO.	QTY.	DESCRIPTION
1	0830490	1	REGULATOR VOLTAGE
2	075210A	1	TERMINAL BLOCK
3	092234	1	CONTROLLER P.C.B.
4	065795	1	BATTERY CHARGER RECTIFIER
5	023484F	2	BUSHING SNAP 1"
6	023484R	1	BUSHING SNAP 1-1/4"
7	075234	1	RESISTOR, 1 OHM 25W
8	057159	1	CIRCUIT BREAKER 2.0 AMP (60HZ)
	054502	1	CIRCUIT BREAKER 3.0 AMP (50HZ)
9	087798	1	SWITCH S.P.D.T.
10	092113	1	SWITCH S.P.D.T. ON-MOM-ON
11	032300	1	HOLDER FUSE
12	0A9611	1	FUSE 7.5A
13	090145	1	CIRCUIT BREAKER, 30 X 1 (60HZ)
	0E2314	1	CIRCUIT BREAKER, 15A 2 POLE (50HZ)
14	0A1658	2	LOCK WASHER SPECIAL
15	075235	2	SCREW HHC M5-0.8 X 30MM
16	047411	2	SCREW HHC M6-1.0 X 16MM
17	049226	5	WASHER LOCK M5
18	051716	1	NUT HEX M5-0.8
19	075476	2	SCREW PPHM M4-0.7 X 16MM
20	022264	2	WASHER LOCK #8-M4
21	051715	4	NUT HEX M4-0.7
22	0A2053	1	SCREW HHC M6-1.0 X 65MM
23	022473	5	WASHER FLAT 1/4"
24	022097	4	WASHER LOCK M6-1/4"
25	049813	4	NUT HEX M6-1.0
26	055440	2	SCREW HHC M5-0.8 X 25MM
27	049815	1	SCREW HHC M5-0.8 X 16MM
28	038750	2	SCREW HHC M6-1.0 X 30MM
29	051714	2	NUT, HEX M3-0.5
30	0D8794	1	PANEL CONTROL
31	025105	2	SCREW RHM #6-32 X 1/4" SIMS
32	028739	2	TIE WRAP UL 4" (NOT SHOWN)
33	0D8308	1	DECAL (NOT SHOWN)
34	0F5025	1	HARNESS (NOT SHOWN)
35	023484S	1	BUSHING, SNAP 1.09"
36	043182	2	WASHER LOCK M3
37	031879	2	WASHER FLAT M3

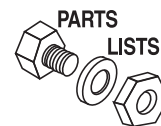
**Appendix 3 – Exploded Views and Parts Lists**

**Recreational Vehicle Generator  
GN-220 H/SH Engine – Drawing No. 0F5791 Part 1**



## Appendix 3 – Exploded Views and Parts Lists

### Recreational Vehicle Generator GN-220 H/SH Engine – Drawing No. 0F5791 Part 1

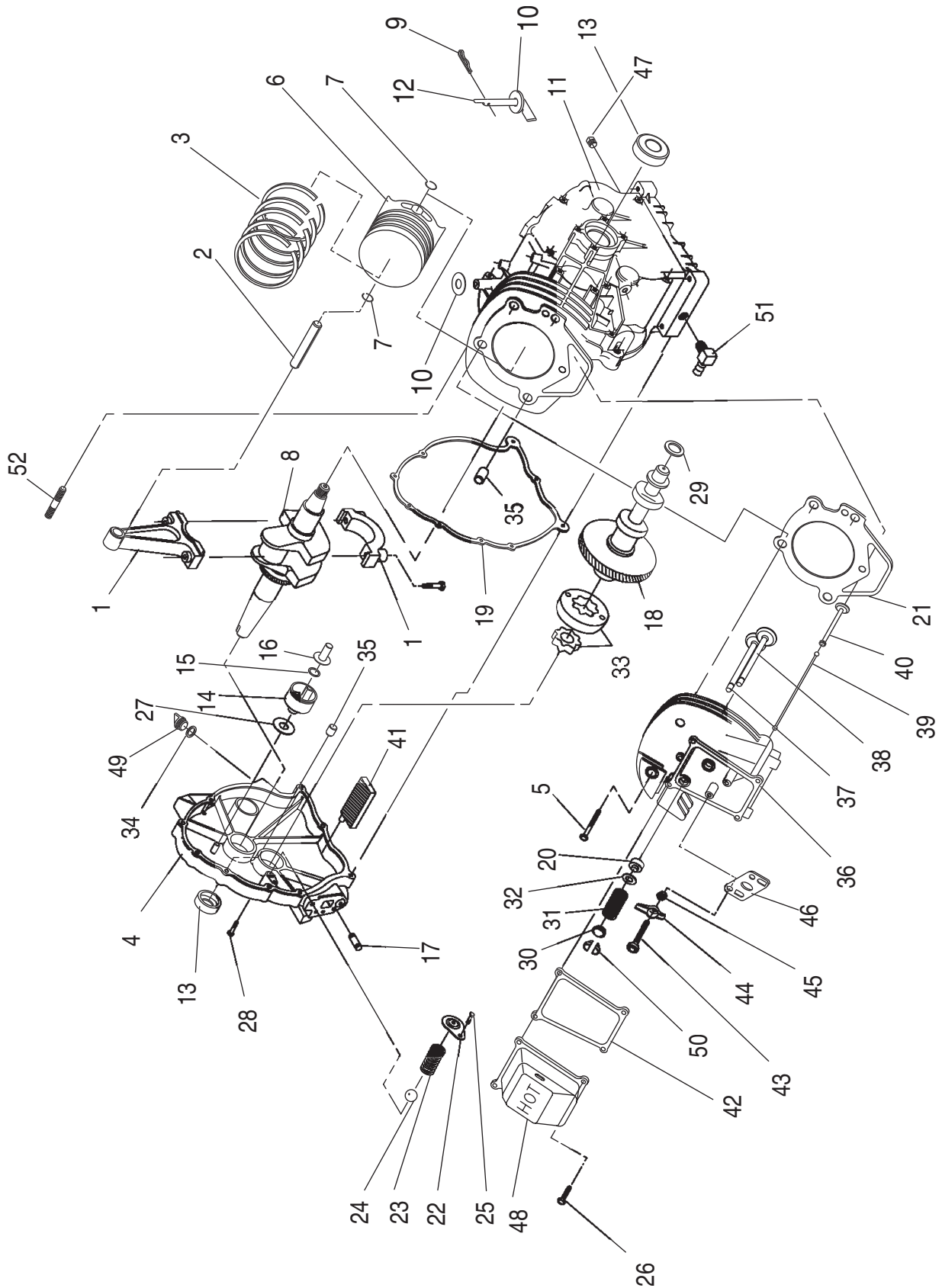


ITEM	PART NO.	QTY.	DESCRIPTION
1	0D8433	1	GUARD, FAN
2	0C1069	10	SCREW, HHTT M6-1.0 X 8MM
3	090695F	1	BLOWER HOUSING
4	081810	1	NUT, HEX M16-1.5
5	083312	1	WASHER, M16 CONICAL
6	0D8400	1	ASSEMBLY, CHOKE SOLENOID BRACKET
7	0C8917D	1	FLYWHEEL, WITH RING GEAR
8	0C8798A	1	BACKPLATE, ELECTRIC START
9	045756	10	SCREW HHTT M6-1.0 X 10MM
10	082774	1	KEY, WOODRUFF 4 X 19D
11	022129	2	5/16"-M8 LOCK WASHER
12	081990	2	SCREW SHC M8-1.25 X 40MM
13	0D9004A	1	STARTER ASSEMBLY
14	072347	1	SPARKPLUG
15	022097	2	LOCKWASHER, 1/4"- M6
16	082981	2	TAPTITE, M6-1.0 X 30MM
17	081675	1	ASSEMBLY, IGNITION COIL
18	0C1085	2	SCREW PPHM M3-0.5 X 8MM
19	0D7666A	1	BREATHER TUBE
20	090051	1	GASKET, MANIFOLD/ HEAD
21	080316	2	SCREW HHFC M6-1.0 X 30MM
22	090948	1	INTAKE MANIFOLD
23	078631	1	GASKET CARBURETOR/MANIFOLD
24	0F5759	1	CARBURETOR LP WITH CHOKE
25	091846	1	GASKET, CARB/ ADAPTOR
26	0D7558	1	ADAPTOR, CARB
27	078643	2	BOLT, CARB MOUNT M6-1.0 X 75MM
28	0D8372	1	GASKET, CARB TO AIRBOX
29	0C2756	1	ASSEMBLY, GOVERNOR LEVER
30	0D7458	1	ROD, GOVERNOR
31	0C3979	1	SPRING, ANTI LASH
32	085953	1	WASHER, CARB WEAR
33	0D8739A	1	ASSEMBLY BRACKET GOVERNOR ADJUST
34	036277	1	ELBOW 90D STREET 1/8NPT
35	0E7019	1	SPRING, GOVERNOR
36	083512	1	SCREW HHTT M8-1.2 X 16MM
37	082025	1	NUT HEX LOCK M5-0.8 NYLOCK
38	092984	1	TOP WRAPPER
39	094820	1	PLUG, EXPANSION
40	089739	1	LOWER WRAPPER
41	091848	1	GASKET, OIL PSI PAD
42	0D8778	1	ADAPTER, OIL FILTER
43	0D8803	2	SCREW SHC M6-1.0 X 22MM
44	0A8584	1	SWITCH, OIL- 10 PSI
45	070185B	1	FILTER, OIL
46	075281	1	SWITCH, THERMAL 284F
47	043182	2	WASHER LOCK M3
48	0D8397	1	ROD, CHOKE CONTROL
49	0D8591	1	SOLENOID, CHOKE
50	077091	1	PIN, COTTER
51	0A7095	2	SCREW PRHMS #4-40 X 1-1/8" LONG
52	077075	1	COVER, CHOKE COIL
53	0C2824	2	SCREW TAP-R #10-32 X 9/16"



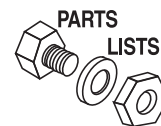
### Appendix 3 – Exploded Views and Parts Lists

Recreational Vehicle Generator  
GN-220 H/SH Engine – Drawing No. 0F5791 Part 2



## Appendix 3 – Exploded Views and Parts Lists

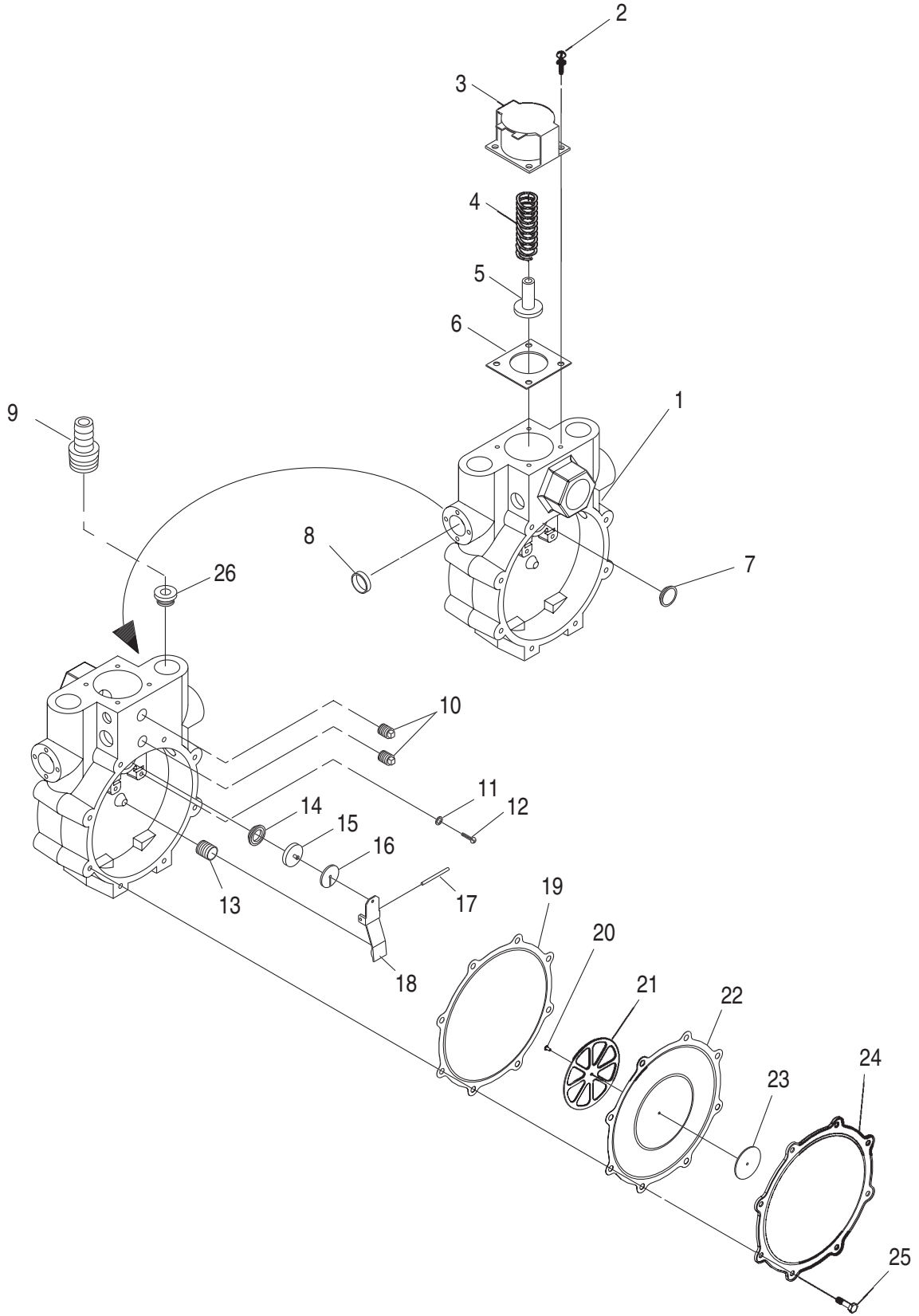
### Recreational Vehicle Generator GN-220 H/SH Engine – Drawing No. 0F5791 Part 2



ITEM	PART NO.	QTY.	DESCRIPTION
N/A	0F5800	1	LONG BLOCK ASSEMBLY 220 RV LP
1	078621	1	CONNECTING ROD ASSEMBLY
2	076389	1	PISTON PIN
3	088411	1	PISTON RING SET
4	0A8897B	1	GEAR COVER ASSEMBLY
5	077168	5	M8 X 56MM HEAD BOLT
6	088057	1	PISTON
7	076390	2	PIN RETAINER RING
8	083337A	1	TAPERED CRANKSHAFT ASSEMBLY
9	078658	1	GOVERNOR "R" PIN
10	0F0967	2	WASHER FLAT 1/4, .015 THK
11	089213E	1	CRANKCASE ASSEMBLY
12	0A7637	1	GOVERNOR ARM
13	0E3811	2	OIL SEAL
14	0D1303	1	GOVERNOR GEAR ASSEMBLY
15	078645	1	GOVERNOR GEAR C-RING
16	0A7811	1	GOVERNOR SPOOL
17	072683A	1	1/8" NPT PIPE PLUG
18	0F0687	1	CAMSHAFT ASSEMBLY
19	089096	1	CRANKCASE GASKET
20	088156	1	VALVE STEM SEAL
21	0A8822	1	CYLINDER HEAD GASKET
22	078691	1	OIL PRESSURE RELIEF COVER
23	0A5772	1	OIL PRESSURE SPRING
24	0A5776	1	11/32" BALL
25	074908	1	M5 FORM SCREW
26	078606	4	M6-1.0 X 12MM SCREW
27	076361	1	GOVERNOR GEAR THRUST WASHER
28	0D2414	6	SCREW, HHFC M8-1.25 X 35MM
29	099922	1	SPRING WASHER
30	0C3733	2	VALVE RETAINER
31	0C4390	2	VALVE SPRING
32	084186	2	VALVE SPRING WEAR WASHER
33	083192	1	GEROTER SET
34	0E0057	1	"O" RING
35	078699B	4	SLEEVE, SEAM DWL
36	021705B	1	CYLINDER HEAD ASSEMBLY
37	0C3590	1	EXHAUST VALVE
38	0C3591	1	INTAKE VALVE
39	0D9853A	2	PUSH ROD
40	083235	2	TAPPET
41	080336	1	OIL PICK-UP ASSEMBLY
42	0C8754	1	ROCKER COVER GASKET
43	077161	2	PIVOT BALL STUD
44	077160	2	GN- 191/220 ROCKER ARM
45	076307	2	ROCKER ARM JAM NUT
46	088403	1	PUSH ROD GUIDE PLATE
47	026073A	1	1/4" NPT PIPE PLUG
48	088412A	1	ROCKER COVER ASSEMBLY
49	076329	1	PLASTIC OIL FILL PLUG
50	0C3592	4	VALVE SPRING KEEPER
51	049340	1	BARBED ELBOW 90 1/4" NPT X 3/8"
52	045761A	1	STUD M8-1.25 / 10MM X 30MM

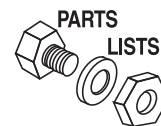
### Appendix 3 – Exploded Views and Parts Lists

#### Recreational Vehicle Generator Regulator – Drawing No. 0F5819



### Appendix 3 – Exploded Views and Parts Lists

#### Recreational Vehicle Generator Regulator – Drawing No. 0F5819



ITEM	PART NO.	QTY.	DESCRIPTION
1	0D5694	1	CASTING, TWIN REGULATOR HOUSING
2	0F4795	4	SCREW PPHM SEMS M4-0.7 X 10
3	0F5022	1	SOLENOID COIL, 12VDC
4	0C6070	1	SPRING-SOLENOID PLUNGER
5	0C4680	1	PLUNGER LP REG. ASSY
6	0C4647	1	GASKET, SOLENOID
7	0C4643	1	INLET, TWIN REGULATOR NO HOLE
8	0D3973	1	PLUG, EXPANSION 16MM TWINREG
9	0D7020A	1	BARBED STR 1/2NPT X 3/8" W/VS
10	026073	2	PLUG STD PIPE 1/8 STEEL SQ HD
11	0D3308	2	WASHER FLAT 3.2MM ID X 10MM OD
12	070728	2	SCREW PFILHM M3-0.5 X 5
13	0C5764	1	SPRING, REGULATOR
14	0C4643A	1	INLET, TWIN REG 11.11 DIA.
15	0C5764	1	SEAL, INLET REGULATOR
16	0C5968	1	SUPPORT, INLET SEAL
17	0C5759	1	PIN, PIVOT ARM
18	0C5761	1	LEVER, REGULATOR
19	0C6069	1	GASKET, DIAPHRAGM
20	0C6731	1	RIVET .118 X .125 ALUMINUM
21	0C6067	1	SUPPORT, DIAPHRAGM
22	0C4706	1	DIAPHRAGM, TWIN REGULATOR
23	0C6068	1	CAP, DIAPHRAGM SUPPORT
24	0C5762	1	COVER, TWIN REGULATOR
25	045764	8	SCREW HHTT M4-0.7 X 8 BP
26	0C5760K	1	JET LP



## **CALIFORNIA AND FEDERAL EMISSION CONTROL WARRANTY STATEMENT**

### **YOUR WARRANTY RIGHTS AND OBLIGATIONS**

The California Air Resources Board (CARB) and the United States Environmental Protection Agency (EPA), together with Generac Power Systems, Inc. (Generac), are pleased to explain the Emission Control System Warranty on your new engine.\* New utility, and lawn and garden equipment engines must be designed, built and equipped to meet stringent anti-smog standards for the state of California and the federal government. Generac will warrant the emission control system on your engine for the periods of time listed below provided there has been no abuse, neglect, unapproved modification or improper maintenance of your engine.

Your emission control system may include parts such as the carburetor, ignition and exhaust systems. Generac will repair your engine at no cost to you for diagnosis, replacement parts and labor, should a warrantable condition occur.

### **MANUFACTURER'S EMISSION CONTROL SYSTEM WARRANTY COVERAGE:**

Emissions control systems on 1997 and later model year engines are warranted for two years as hereinafter noted. If, during such warranty period, any emission-related component or system on your engine is found to be defective in materials or workmanship, repairs or replacement will be performed by a Generac Authorized Warranty Service Facility.

### **PURCHASER'S/OWNER'S WARRANTY RESPONSIBILITIES:**

As the engine purchaser/owner, you are responsible for the completion of all required maintenance as listed in your factory supplied Owner's Manual. For warranty purposes, Generac recommends that you retain all receipts covering maintenance on your engine. However, Generac cannot deny warranty solely because of the lack of receipts or for your failure to ensure the completion of all scheduled maintenance.

As the engine purchaser/owner, you should, however, be aware that Generac may deny any and/or all warranty coverage or responsibility if your engine, or a part/component thereof, has failed due to abuse, neglect, improper maintenance or unapproved modifications, or the use of counterfeit and/or 'grey market' parts not made, supplied or approved by Generac.

**You are responsible for presenting your engine to a Generac Authorized Warranty Service Facility as soon as a problem occurs.** The warranty repairs should be completed in a reasonable amount of time, not to exceed 30 days.

Warranty service can be arranged by contacting either your selling dealer or a Generac Authorized Warranty Service Facility. To locate the Generac Authorized Warranty Service Facility nearest you, call our toll-free number:

**1-800-333-1322**

**IMPORTANT NOTE:** This warranty statement explains your rights and obligations under the Emission Control System Warranty (ECS Warranty), which is provided to you by Generac pursuant to California and federal law. See also the "Generac Limited Warranties for Generac Power Systems, Inc.," which is enclosed herewith on a separate sheet, also provided to you by Generac. The ECS Warranty applies only to the emission control system of your new engine. If there is any conflict in terms between the ECS Warranty and the Generac Warranty, the ECS Warranty shall apply except in circumstances where the Generac Warranty may provide a longer warranty period. Both the ECS Warranty and the Generac Warranty describe important rights and obligations with respect to your new engine.

Warranty service can be performed only by a Generac Authorized Warranty Service Facility. When requesting warranty service, evidence must be presented showing the date of the sale to the original purchaser/owner. The purchaser/owner shall be responsible for any expenses or other charges incurred for service calls and/or transportation of the product to/from the inspection or repair facilities. The purchaser/owner also shall be responsible for any and/or all damages or losses incurred while the engine is being transported/shipped for inspection or warranty repairs.

**If you have any questions regarding your warranty rights and responsibilities, you should contact Generac at the following address:**

**ATTENTION WARRANTY DEPARTMENT  
GENERAC POWER SYSTEMS, INC.  
P.O. BOX 297  
WHITEWATER, WI 53190**



### **EMISSION CONTROL SYSTEM WARRANTY**

Emission Control System Warranty (ECS Warranty) for 1997 and later model year engines:

- (a) **Applicability:** This warranty shall apply to 1997 and later model year engines. The ECS Warranty Period shall begin on the date the new engine or equipment is purchased by/delivered to its original, end-use purchaser/owner and shall continue for 24 consecutive months thereafter.
- (b) **General Emissions Warranty Coverage:** Generac warrants to the original, end-use purchaser/owner of the new engine or equipment, and to each subsequent purchaser/owner, that each of its engines is ...
  - (1) Designed, built and equipped so as to conform with all applicable regulations adopted by the EPA and CARB pursuant to their respective authority, and
  - (2) Free from defects in materials and workmanship which, at any time during the ECS Warranty Period, may cause a warranted emissions-related part to fail to be identical in all material respects to the part as described in the engine manufacturer's application for certification.
- (c) **The ECS Warranty only pertains to emissions-related parts on your engine, as follows:**
  - (1) Any warranted, emissions-related parts that are not scheduled for replacement as required maintenance in the Owner's Manual shall be warranted for the ECS Warranty Period. If any such part fails during the ECS Warranty Period, it shall be repaired or replaced by Generac according to Subsection (4) below. Any such part repaired or replaced under the ECS Warranty shall be warranted for the remainder of the ECS Warranty Period.
  - (2) Any warranted, emissions-related part that is scheduled only for regular inspection as specified in the Owner's Manual shall be warranted for the ECS Warranty Period. A statement in such written instructions to the effect of "repair or replace as necessary" shall not reduce the ECS Warranty Period. Any such part repaired or replaced under the ECS Warranty shall be warranted for the remainder of the ECS Warranty Period.
  - (3) Any warranted, emissions-related part that is scheduled for replacement as required maintenance in the Owner's Manual shall be warranted for the period of time prior to the first scheduled replacement point for that part. If the part fails prior to the first scheduled replacement, the part shall be repaired or replaced by Generac according to Subsection (4) below. Any such emissions-related part repaired or replaced under the ECS Warranty shall be warranted for the remainder of the ECS Warranty Period prior to the first scheduled replacement point for such emissions-related part.
  - (4) Repair or replacement of any warranted, emissions-related part under this ECS Warranty shall be performed at no charge to the owner at a Generac Authorized Warranty Service Facility.
  - (5) When the engine is inspected by a Generac Authorized Warranty Service Facility, the owner shall not be held responsible for diagnostic costs if the repair is deemed warrantable.
  - (6) Generac shall be liable for damages to other original engine components or approved modifications proximately caused by a failure under warranty of any emission-related part covered by the ECS Warranty.
  - (7) Throughout the ECS Warranty Period, Generac shall maintain a supply of warranted emission-related parts sufficient to meet the expected demand for such emission-related parts.
  - (8) Any Generac authorized and approved emission-related replacement part may be used in the performance of any ECS Warranty maintenance or repairs and will be provided without charge to the purchaser/owner. Such use shall not reduce Generac's ECS Warranty obligations.
  - (9) Unapproved, add-on, modified, counterfeit and/or 'grey market' parts may not be used to modify or repair a Generac engine. Such use voids this ECS Warranty and shall be sufficient grounds for disallowing an ECS Warranty claim. Generac shall not be held liable hereunder for failures of any warranted parts of a Generac engine caused by the use of such an unapproved, add-on, modified, counterfeit and/or 'grey market' part.

### **EMISSION RELATED PARTS INCLUDE THE FOLLOWING:**

- 1) Fuel Metering System:
  - 1.1) Gasoline carburetor assembly and its internal components (if so equipped).
    - a) Fuel filter (if so equipped)
    - b) Carburetor gaskets
    - c) Fuel pump (if so equipped)
  - 1.2) LPG carburetion assembly and its internal components (if so equipped).
    - a) Fuel controller (if so equipped)
    - b) Mixer and its gaskets (if so equipped)
    - c) Carburetor and its gaskets (if so equipped)
    - d) Primary gas regulator (if so equipped)
    - e) LP liquid vaporizer (if so equipped)
- 2) Air Induction System including:
  - a) Intake pipe/manifold
  - b) Air cleaner
- 3) Ignition System including:
  - a) Spark plug
  - b) Ignition module
- 4) Catalytic Muffler Assembly (if so equipped) including:
  - a) Muffler gasket
  - b) Exhaust manifold
- 5) Crankcase Breather Assembly including:
  - a) Breather connection tube

\*Generac engine types covered by this warranty statement include the following:

- 1) Utility
- 2) Lawn and Garden Equipment
- 3) Recreational Vehicle (RV) Generator
- 4) Industrial Mobile (IM) Generator





## Appendix 4 – Warranty

### Recreational Vehicle Generator

#### GENERAC POWER SYSTEMS' THREE-YEAR LIMITED WARRANTY FOR GUARDIAN RECREATIONAL VEHICLE GENERATORS

**NOTE: ALL UNITS MUST BE INSTALLED BY GENERAC POWER SYSTEMS AUTHORIZED SERVICE FACILITIES.** For a period of 3 (three) years of operation from the date of original sale, Generac Power Systems, Inc. (Generac) will, at its option, repair or replace any part which, upon examination, inspection and testing by Generac or a Generac Authorized Warranty Service Facility, is found to be defective under normal use and service, in accordance with the warranty schedule set forth below. Any equipment that the purchaser/owner claims to be defective must be returned to and examined by the nearest Generac Authorized Warranty Service Facility. All transportation costs under the warranty, including return to the factory, are to be borne and prepaid by the purchaser/owner. This warranty applies only to Generac generators sold and rated for "Recreational Vehicle" (RV) applications, as Generac has defined Recreational Vehicle generator applications. The factory recommends exercising the unit one half-hour every month.

#### WARRANTY SCHEDULE – COMMERCIAL APPLICATIONS

**YEAR ONE** – 100% (one hundred percent) coverage on part(s), labor, removal and reinstallation listed:

- **Engine** – All components
- **Alternator** – All components

#### WARRANTY SCHEDULE – CONSUMER/PERSONAL APPLICATIONS

**YEARS ONE AND TWO** – 100% (one hundred percent) coverage on part(s), labor, removal and reinstallation listed:

- **Engine** – All components
- **Alternator** – All components

**YEAR THREE** – 100% (one hundred percent) only on selected part(s) and labor listed [Any labor and part(s) not listed, and removal and reinstallation are the owner's responsibility]:

- Rotor, Stator, Computer Control Board (part numbers 0A6060 and 0A3369) and inverter, (if applicable with regard to the generator) Cylinder Block, Cylinder Head, Crankshaft, Piston(s), Valve, Valve Lifter(s), Intake and Exhaust Manifolds

Generac RV generators manufactured prior to December 31, 1997, **DO NOT** have a transferable warranty. Generac RV generators manufactured after January 1, 1998, have a transferable warranty to the second owner **ONLY** for the remainder of the three-year limited warranty. Proof-of-purchase is required and must be presented to a Generac Authorized Warranty Service Facility prior to the performance of any warranty service.

All warranty expense allowances **are** subject to the conditions defined in Guardian's Warranty Policies and Procedures Guide.

#### THIS WARRANTY SHALL NOT APPLY TO THE FOLLOWING:

- Generac Guardian generators that utilize non-Generac replacement parts.
- Costs of normal maintenance, adjustments, installation and start-up.
- Repairs or diagnostics performed by individuals other than Guardian/Generac authorized dealers not authorized in writing by Generac Power Systems.
- Failures caused by any contaminated fuels, oils, coolants or lack of proper fluid amounts.
- Failures due, but not limited, to normal wear and tear, accident, misuse, abuse, negligence or improper installation. As with all mechanical devices, the Generac engines need periodic part(s) service and replacement to perform well. This warranty will not cover repair when normal use has exhausted the life of a part(s) or engine.
- Failures caused by any external cause or act of God, such as collision, theft, vandalism, riot or wars, nuclear holocaust, fire, freezing, lightning, earthquake, windstorm, hail, volcanic eruption, water or flood, tornado or hurricane.
- Damage related to rodent and/or insect infestation.
- Products that are modified or altered in a manner not authorized by Generac in writing.
- Any incidental, consequential or indirect damages caused by defects in materials or workmanship, or any delay in repair or replacement of the defective part(s).
- Failure due to misapplication.
- Telephone, cellular phone, facsimile, internet access or other communication expenses.
- Living or travel expenses of person(s) performing service, except as specifically included within the terms of a specific unit warranty period.
- Expenses related to "customer instruction" or troubleshooting where no manufacturing defect is found.
- Rental equipment used while warranty repairs are being performed.
- Overnight freight costs for replacement part(s).
- Overtime labor.
- Starting batteries, fuses, light bulbs and engine fluids.

THIS WARRANTY IS IN PLACE OF ALL OTHER WARRANTIES, EXPRESSED OR IMPLIED. SPECIFICALLY, GENERAC MAKES NO OTHER WARRANTIES AS TO THE MERCHANTABILITY OR FITNESS FOR A PARTICULAR PURPOSE. Some states do not allow limitations on how long an implied warranty lasts, so the above limitation may not apply to you.

GENERAC'S ONLY LIABILITY SHALL BE THE REPAIR OR REPLACEMENT OF PART(S) AS STATED ABOVE. IN NO EVENT SHALL GENERAC BE LIABLE FOR ANY INCIDENTAL OR CONSEQUENTIAL DAMAGES, EVEN IF SUCH DAMAGES ARE A DIRECT RESULT OF GENERAC'S NEGLIGENCE. Some states do not allow the exclusion or limitation of incidental or consequential damages, so the above limitation may not apply to you.

This warranty gives you specific legal rights. You also have other rights from state to state.

P.O. BOX 297 • WHITEWATER, WI 53190

Revision 02.05