



Installation and Owner's Manual

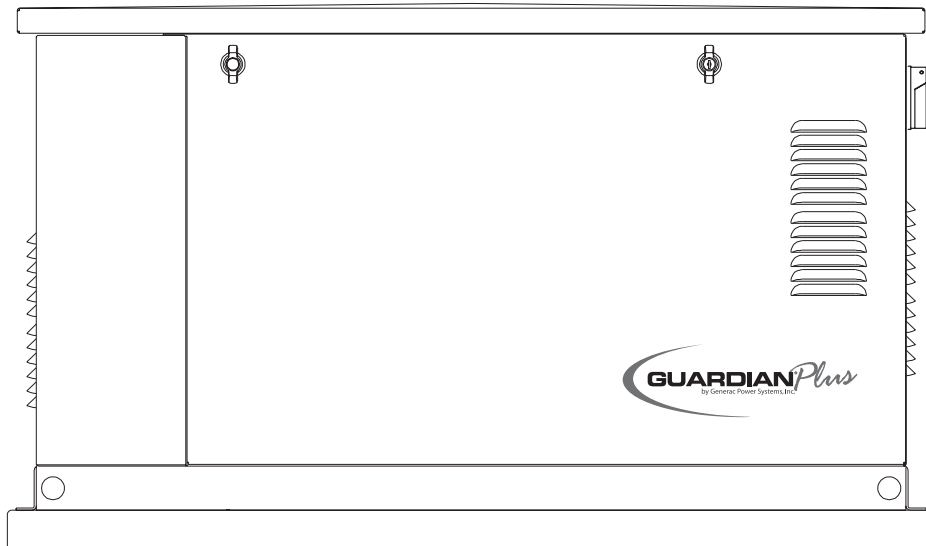
**Air-cooled, Prepackaged
Automatic Standby Generators**

Models:

04389-3 (6 kW NG, 7 kW LP)

04456-3 (12 kW NG, 12 kW LP)

04390-3 (13 kW NG, 15 kW LP)



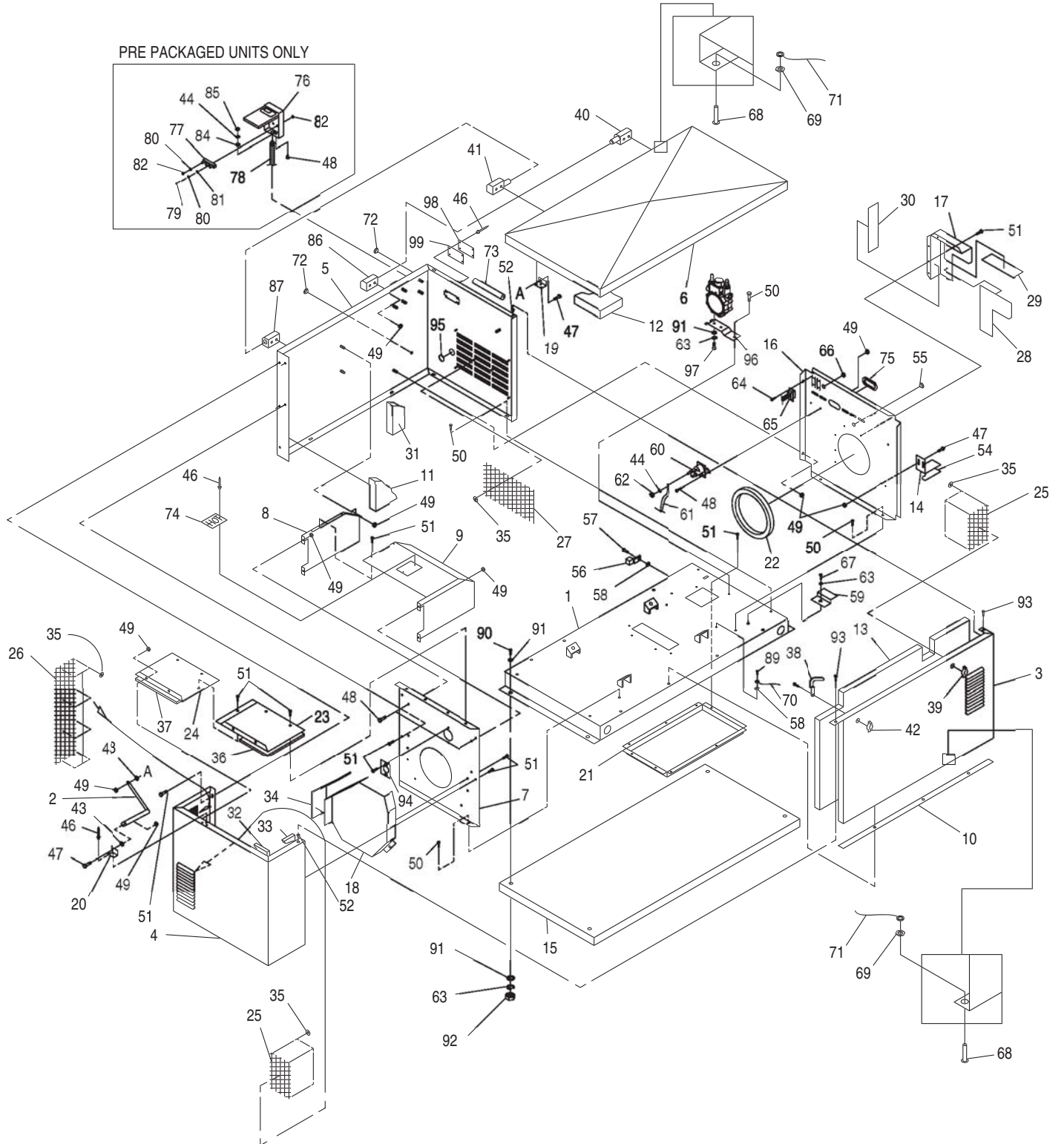
**Not intended for use as Primary Power in place of utility or in
life-support applications.**



DEADLY EXHAUST FUMES. OUTDOOR INSTALLATION ONLY!

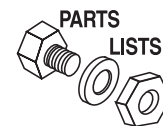
Section 8 – Exploded Views and Parts Lists

**Air-cooled 7 kW, 12 kW and 15 kW Generators
Enclosure – Drawing No. 0F0080-C**



Section 8 – Exploded Views and Parts Lists

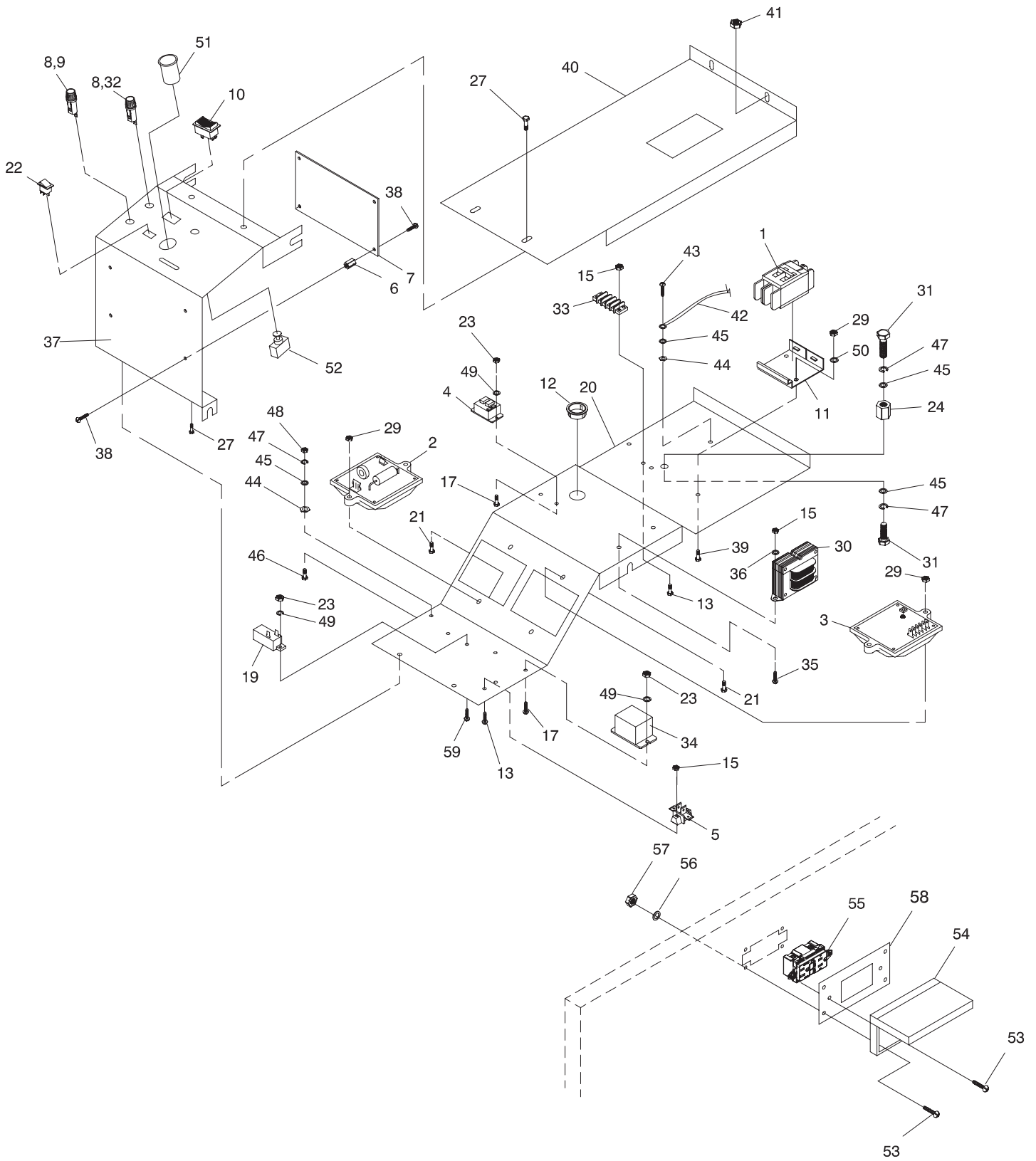
**Air-cooled 7 kW, 12 kW and 15 kW Generators
Enclosure – Drawing No. 0F0080-C**



ITEM	PART NO.	QTY.	DESCRIPTION	ITEM	PART NO.	QTY.	DESCRIPTION
1	0C6140	1	ASSEMBLY, ENCLOSURE BASE	47	047411	6	SCREW HHC M6-1.0 X 16 G8.8
	0D1901	1	ASSEMBLY, ENCLOSURE BASE (7KW)		047411	4	SCREW HHC M6-1.0 X 16 G8.8 (7KW)
2	0C6735	2	SUPPORT, ROOF FOLDING	48	043116	5	SCREW HHC M6-1.0 X 12 G8.8
3	0F0063	1	ENCLOSURE, FRONT		043116	6	SCREW HHC M6-1.0 X 12 G8.8 (7KW)
4	0C7062	1	ENCLOSURE, EXHAUST SIDE	49	0D3700	26	NUT, LOCKING FLANGE M6-1.0
	0C7062A	1	ENCLOSURE, EXHAUST SIDE (7KW)		0D3700	24	NUT, LOCKING FLANGE M6-1.0 (7KW)
5	0E8811	1	ENCLOSURE, SIDE & BACK	50	0D4662	11	SCREW HHTT M8-1.2 X 20 BP
	0E8811A	1	ENCLOSURE, SIDE & BACK (7KW)	51	090388	36	SCREW TAPTITE M6-1.0 X 12 BP
6	0E9873	1	ENCLOSURE, ROOF			24	SCREW TAPTITE M6-1.0 X 12 BP (7KW)
7	0C7065	1	PANEL, ALTERNATOR DIVIDER	52	092120	2	NUT LOCK TRIC M6 X 1.0 Y/ZNC
	0C7065A	1	PANEL, ALTERNATOR DIVIDER (7KW)	54	0D3167	1	GASKET, BATTERY SUPPORT BRACKET
8	0C8101A	1	PANEL, MUFFLER BOX SIDE	55	0A3328	1	PLUG, PLASTIC 0.593
	0C8861	1	PANEL, MUFFLER BOX SIDE (7KW)	56	055414	1	LUG SLDLSS #2-#8X17/64 CU
9	0C8101B	1	COVER, MUFFLER BOX	57	092079	1	SCREW TAPTITE M6-1.0X25 BP
	0C8862	1	COVER, MUFFLER BOX (7KW)	58	0A1658	2	L/WASH SPECIAL 1/4
10	0C8283	1	GASKET, DOOR SEAL	59	0C2937	1	BRACKET, BATTERY HOLD DOWN (7KW)
11	0C8284A	1	FOAM, BACK ENCLOSURE	60	086729	1	CONTACTOR, STARTER (7KW)
12	0C8284B	1	FOAM, ROOF ENCLOSURE	61	0388040AJ0	1	CABLE, #6 RED BATTERY 38.5"
13	0C8284C	1	FOAM, FRONT ENCLOSURE	62	022127	2	NUT HEX 1/4-20 STEEL (7KW)
14	0C8285	1	BRACKET, BATTERY SUPPORT	63	022129	6	WASHER LOCK 5/16
15	0C8899A	1	PAD, 24"X48" WITH MOUNTING HOLES		022129	7	WASHER LOCK 5/16 (7KW)
16	0D1128	1	PANEL, ENGINE DIVIDER	64	074908	8	SCREW TAPTITE M5-0.8 X 10 BP
	0D1128A	1	PANEL, ENGINE DIVIDER (7KW)	65	0D2346	1	HARNESS, ENGINE
17	0E4244	1	BAFFLE, INTAKE		0D2345	1	HARNESS, ENGINE (7KW)
	0D1605A	1	BAFFLE, INTAKE (7KW)	66	023484F	1	BUSHING, SNAP SB-1000-12
18	0D1606	1	HOUSING, FAN	67	022142	1	SCREW HHC 5/16-18 X 3/4 G5 (7KW)
	0D5264	1	BAFFLE, EXHAUST (7KW)	68	0A7836	2	RIVET, 1/8" X 0.126" - 0.375" LSH POP
19	0D1839	2	BRACKET, TOP SUPPORT	69	0A8475	2	L/WASH SPECIAL #10
20	0D1840	2	BRACKET, BOTTOM SUPPORT	70	0912970069	1	ASSEMBLY, ROOF / DOOR GROUND WIRE
21	0D2425	1	DUCT, BASE AIR	71	0912970070	2	ASSEMBLY, ROOF / DOOR GROUND WIRE
22	0D2588	1	GASKET, FRONT DIVIDER	72	055450	2	PLUG PLASTIC 1.375
	0D2588A	1	GASKET, FRONT DIVIDER (7KW)	73	0E5968	11	GASKET, EXTRUDED TRIM
23	0D2676	1	COVER, FRONT EXHAUST ENCLOSURE	74	0D3701	1	PLATE, "HOT"
24	0D2677	1	COVER, BACK EXHAUST ENCLOSURE	75	0D3472	1	GROMMET 2.75 X 1/16
25	0D2979B	2	CLOTH, HARDWARE 266.7mm x 146mm	76	0C8742	1	EXTERNAL CONNECTION BOX
	0D2979B	3	CLOTH, HARDWARE 266.7mm x 146mm (7KW)	77	0C8911	1	POWER BLOCK
26	0D2979C	1	CLOTH, HARDWARE 543mm x 146mm	78	0D8442	1	HARNESS GENERATOR TO EXTERNAL CONNECTION BOX
27	0D2979D	1	CLOTH, HARDWARE 266.7mm x 387.4mm		0D8652	1	HARNESS GENERATOR TO EXTERNAL CONNECTION BOX (7KW)
	0D2979E	1	CLOTH, HARDWARE (7KW)	79	036937	2	SCREW PPHM #10-32 X 1
28	0E4245	1	FOAM, FRONT INTAKE BAFFLE	80	022152	5	WASHER LOCK #10
	0D3058A	1	FOAM, FRONT INTAKE BAFFLE (7KW)	81	051713	2	WASHER FLAT M5
29	0E4245A	1	FOAM, TOP INTAKE BAFFLE	82	022158	5	NUT HEX #10-32 STEEL
30	0E4245B	1	FOAM, BACK INTAKE BAFFLE	83	0D3031	1	FUEL LINE, 3/4"OUTDOOR (NOT SHOWN)
	0D3058C	1	FOAM, BACK INTAKE BAFFLE (7KW)	84	026850	1	WASHER SHAKPROOF EXT 1/4 STEEL
31	0D3057D	1	FOAM, BACK ENCL. STRIP	85	049813	1	NUT HEX M6-1.0 G8 YELLOW CHROME
32	0D3059A	1	FOAM, EXHAUST SIDE ENCLOSURE END	86	0F0164A	1	HINGE TYPE A WITH STUDS, SOCKET
33	0D3059B	1	FOAM, EXHAUST SIDE ENCLOSURE FRONT	87	0F0165A	1	HINGE TYPE B WITH STUDS, SOCKET
34	0D3059C	1	FOAM, EXHAUST FAN HOUSING	89	0E2874	1	SCREW HHTR 1/4-20 X 3/4
35	0D7176	24	WASHER, SELF LOCKING	90	043107	4	SCREW HHC M8-1.25 X 25
		22	WASHER, SELF LOCKING (7KW)	91	022145	10	WASHER FLAT 5/16
36	0D3059D	1	FOAM, FRONT EXHAUST ENCL COVER	92	045771	4	NUT HEX M8-1.25
37	0D3059E	1	FOAM, BACK EXHAUST ENCL COVER	93	0C3906	2	SELF-ALIGN SCREW M6 HH
38	0C7781A	2	DOOR, PAWL	94	0E4321	1	PANEL, EXHAUST ALIGNMENT
39	0D3037	1	LATCH, QUARTER TURN LOCKING	95	0E1330A	1	GROMMET, 38.1 CROSS SLIT WITH HOLE
40	0F0164	1	HINGE TYPE A WITH STUDS, PIN	96	0E9692	1	BRACKET, REGULATOR MOUNTING
41	0F0165	1	HINGE TYPE B WITH STUDS, PIN	97	042907	2	SCREW HHC M8-1.25 X 16mm
42	0D3037A	1	LATCH, QUARTER TURN NON-LOCKING	98	0F5241	1	PLATE, COVER
43	0A2115	4	WASHER NYLON .250"	99	0F5943	1	GASKET, COVER
44	022097	1	WASHER LOCK M6-1/4"				
46	0F0710	18	RIVET POP 0.125 X 0.337				

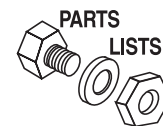
Section 8 – Exploded Views and Parts Lists

**Air-cooled 7 kW, 12 kW and 15 kW Generators
Control Panel – Drawing No. 0E9162-J**



Section 8 – Exploded Views and Parts Lists

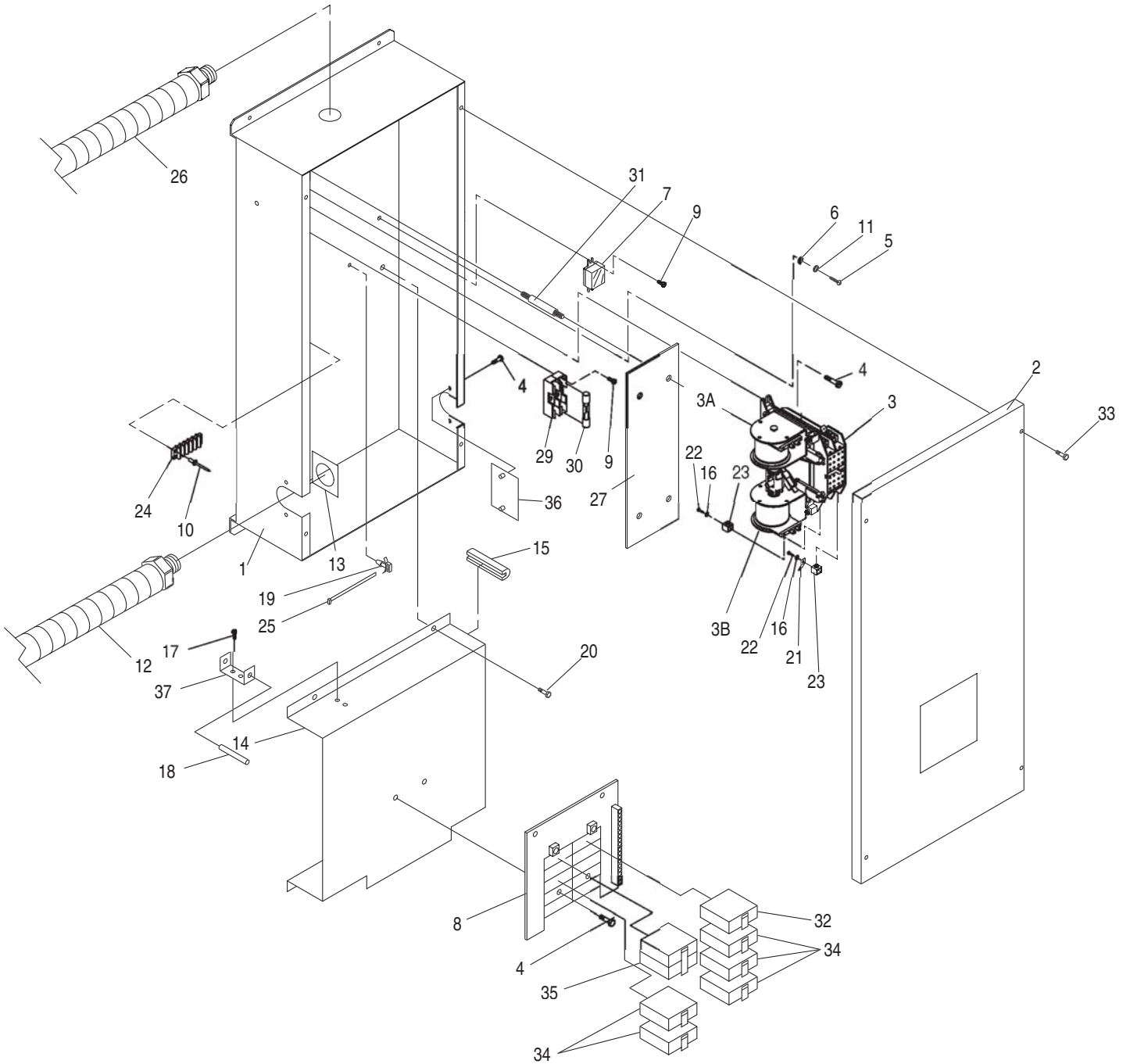
**Air-cooled 7 kW, 12 kW and 15 kW Generators
Control Panel – Drawing No. 0E9162-J**



ITEM	PART NO.	QTY.	DESCRIPTION	ITEM	PART NO.	QTY.	DESCRIPTION
1	0E7886A	1	CIRCUIT BREAKER 30A X 2P 240V (7KW)	27	074908	4	SCREW TAPTITE, M5-0.8 x 10 BP
	0E7886E	1	CIRCUIT BREAKER 50A X 2P 240V (12KW)	28	049226	6	WASHER LOCK M5
	0E7886J	1	CIRCUIT BREAKER 65A X 2P 240V (13/15KW)	29	082025	6	NUT HEX LOCK M5-0.8 NYLON INSERT
2	0A1801	1	ASSEMBLY, BATTERY CHARGER ENGINE	30	0C3910	1	TRANSFORMER
3	083049	1	ASSEMBLY, POTTED REGULATOR	31	022507	2	SCREW HHC 1/4"-20 x 1/2"
4	0C2174	1	RELAY, 12V 25A SPST	32	0A9611	1	FUSE 7.55A X AGC5
5	075210A	1	BLOCK 1 POSITION	33	046689	1	BLOCK TERMINAL STRIP 20A 4 X 6 X 1100V
6	0D3062	4	HEX STAND-OFF #6-32 x 3/8"	34	063617	1	RELAY PANEL 12VDC DPDT 10A 240VAC
7	0D8615	1	ASSEMBLY, HOME STANDBY CONTROLLER	35	075475	2	SCREW PPHM M4-0.7 x 10mm
	0D8615A	1	ASSEMBLY, HOME STANDBY CONTROLLER (7KW)	36	043180	2	WASHER FLAT M4
8	032300	2	HOLDER, FUSE	37	0E8812	1	COVER, CONTROL PANEL COMPONENT
9	022676	1	FUSE, 15AMP X AGC15		0E8895	1	COVER, CONTROL PANEL COMPONENT (7KW)
10	0E4494	1	SWITCH, ROCKER DPDT ON-OFF-ON	38	092036	8	SCREW PPHMS/LW #6-32 x 1/4"
11	0E7890	1	CIRCUIT BREAKER MOUNTING BRACKET	39	045770	2	SCREW HHC M5-0.8 x10mm
12	023484E	1	SNAP BUSHING	40	0E7866	1	COVER, CONTROL PANEL
13	075476	4	SCREW PPHM M4-0.7 x 16mm		0E7867	1	COVER, CONTROL PANEL (7KW)
15	0E6480	6	NUT HEX LOCK M4-0.7 NYLON INSERT	41	0D3700	8	NUT FLANGE M6-1.0 NYLOK
17	0C1085	6	SCREW PPHM M3-0.5 x 8mm	42	0912970069	1	ASSEMBLY, ROOF/DOOR GROUND WIRE
	0C1085	4	SCREW PPHM M3-0.5 x 8mm (7KW)	43	0E2874	1	SCREW HHTR 1/4"-20 X 3/4"
19	054502	1	CIRCUIT BREAKER 3 X 1 ETA 46-500-P	44	0A1658	2	WASHER LOCK SPECIAL 1/4"
	053623	1	CIRCUIT BREAKER 2.5 X 1 ETA 46-500-P (7KW)	45	022473	3	WASHER FLAT 1/4"-M6
20	0E7870	1	CONTROL, PANEL BOTTOM	46	038750	1	SCREW HHC M6-1.0 x 30mm
	0E7871	1	CONTROL, PANEL BOTTOM (7KW)	47	022097	3	WASHER LOCK M6-1/4"
21	075235	4	SCREW HHC M5-0.8 x 30mm	48	049813	1	NUT HEX M6-1.0
22	0D5240	1	SWITCH, SPST (ON)-ON N/O	49	031879	6	WASHER FLAT #4
23	0D9784	6	NUT HEX LOCK M3-0.5 NYLON INSERT		031879	4	WASHER FLAT #4 (7KW)
	0D9784	4	NUT HEX LOCK M3-0.5 NYLON INSERT (7KW)	50	023897	2	WASHER FLAT #10
24	0D8502	1	NEUTRAL CONNECTOR	51	0E9056	1	SOCKET, 12VDC ACCESSORY
26	0E8956	1	HARNESS, CONTROL PANEL (NOT SHOWN)	52	0E5840	1	CIRCUIT BREAKER 15A PUSH / PULL MAIN RESET
	0E8957	1	HARNESS, CONTROL PANEL WIRE (NOT SHOWN) (7KW)	53	036903	6	SCREW PPHM #6-32 X 5/8"
				54	0E7833	1	PLATE, WEATHERPROOF GFCI
				55	0E4261	1	OUTLET, 15A GFCI DUPLEX
				56	022985	4	WASHER FLAT #6
				57	082625	4	NUT LOCK HEX #6-32 NYL INSERT
				58	0E9171	1	GASKET, WEATHERPROOF GFCI
				59	0F4793	2	SCREW PPHM M3-0.5 x 10mm

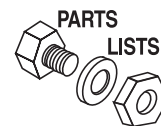
Section 8 – Exploded Views and Parts Lists

**Air-cooled 7 kW, 12 kW and 15 kW Generators
7 kW, 8 Circuit Load Center Assembly – Drawing No. 0E7975-B**



Section 8 – Exploded Views and Parts Lists

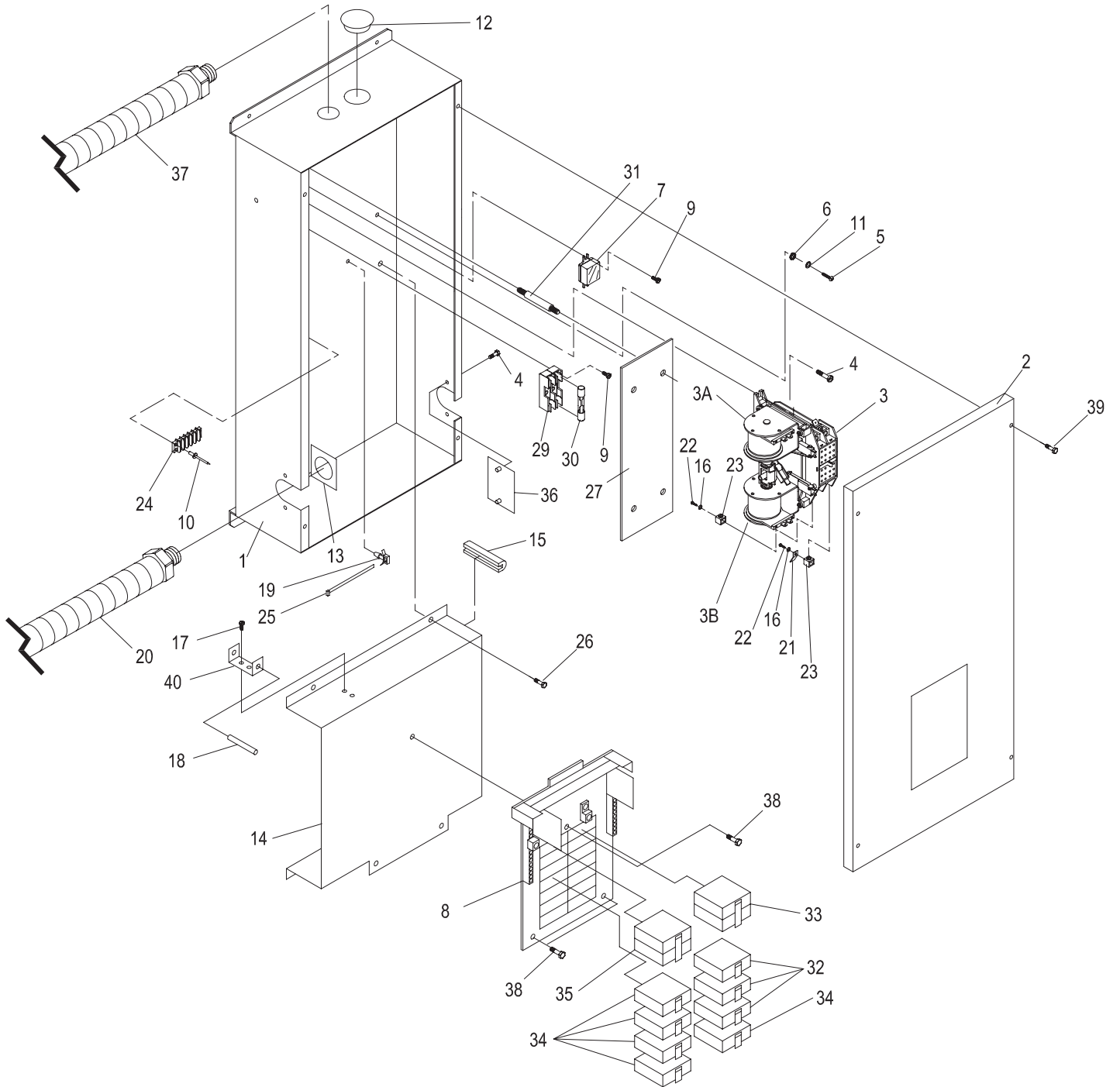
**Air-cooled 7 kW, 12 kW and 15 kW Generators
7 kW, 8 Circuit Load Center Assembly – Drawing No. 0E7975-B**



ITEM	PART NO.	QTY.	DESCRIPTION
1	0D4801	1	BOX GTS LOAD CENTER
2	0D4800	1	COVER, 8 POSITION GTS LOAD CENTER
3	0C2237	1	TRANSFER SWITCH HOME STANDBY 100A 2P 250V
3A	077220	1	COIL UTILITY
3B	077220A	1	COIL STANDBY
3C	082574	1	INSULATOR-SIDEWALL (NOT SHOWN)
3D	084464	1	LIMIT SWITCH OPERATION (NOT SHOWN)
4	074908	8	SCREW TAPTITE M5-0.8 X 10 BP
5	024912	1	SCREW TAPTITE 1/4-20 X 5/8 BP
6	0A1658	1	LOCK WASHER, SPECIAL-1/4"
7	063617	1	RELAY PANEL 12VDC DPDT 10A@240VAC
8	0E7889A	1	8 CIRCUIT LOAD CENTER 125A/240V
9	0A1495	4	SCREW HHTT M4-0.7 X 10
10	0A1661	2	RIVET POP 0.156" X 0.675"
11	022473	1	WASHER FLAT 1/4-M6
12	0D3094	1	HARNESS,GTS TO MAIN PANEL
13	0D4684A	1	PLATE HARNESS ADAPTER
14	0E7900	1	SUBPLATE, LOAD CENTER
15	0F4790	10.5"	U-CHANNEL
16	022152	6	WASHER LOCK #10
17	064526	2	SCREW HWHS #6-25 X 3/8
18	0E6155	1	ARM EXTENDER PIN
19	063378	4	HOLDER CABLE TIE
20	0A2110	4	SCREW SWAGE 1/4-20 X 1/2 ZINC
21	074138	2	LUG QUICK DISCONNECT NI-S 10X45 DEG BRASS / TIN
22	036933	6	SCREW PPHM #10-32 X 3/8"
23	077033	6	LUG SLDLSS 1/0-#14X9/16 AL/CU
24	048850	1	BLOCK TERMINAL 20A 5 X 6 X 1100V
25	028739	4	TIE WRAP UL 3.9" X .10" NAT'L
26	0D4802	1	HARNESS, GTS TO EXTERNAL CONNECTION BOX
27	0D3191	1	COVER, RELAY & TERM BLOCK
28	0D3088	1	WIRE HARNESS,GTS LOAD CENTER (NOT SHOWN FOR CLARITY)
29	073591	2	FUSE HOLDER
30	073590A	2	FUSE 5A X BUSS
31	040213B	4	PCB SUPPORT SNAP-IN 1-3/8"
32	0E7888C	1	CIRCUIT BREAKER 20A X 1P
33	0A7215	4	SCREW SW 1/4-20X5/8 WITH WASHER
34	0E7888B	5	CIRCUIT BREAKER 15A X 1P
35	0E7888A	1	CIRCUIT BREAKER 30A X 2P
36	0D3320	1	COVER - HARNESS ENTRY
37	0E6193	1	BRACKET, ARM EXTENDER

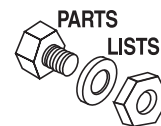
Section 8 – Exploded Views and Parts Lists

**Air-cooled 7 kW, 12 kW and 15 kW Generators
12 kW and 15 kW, 12 Circuit Load Center Assembly – Drawing No. 0E7973-F**



Section 8 – Exploded Views and Parts Lists

**Air-cooled 7 kW, 12 kW and 15 kW Generators
12 kW and 15 kW, 12 Circuit Load Center Assembly – Drawing No. 0E7973-F**

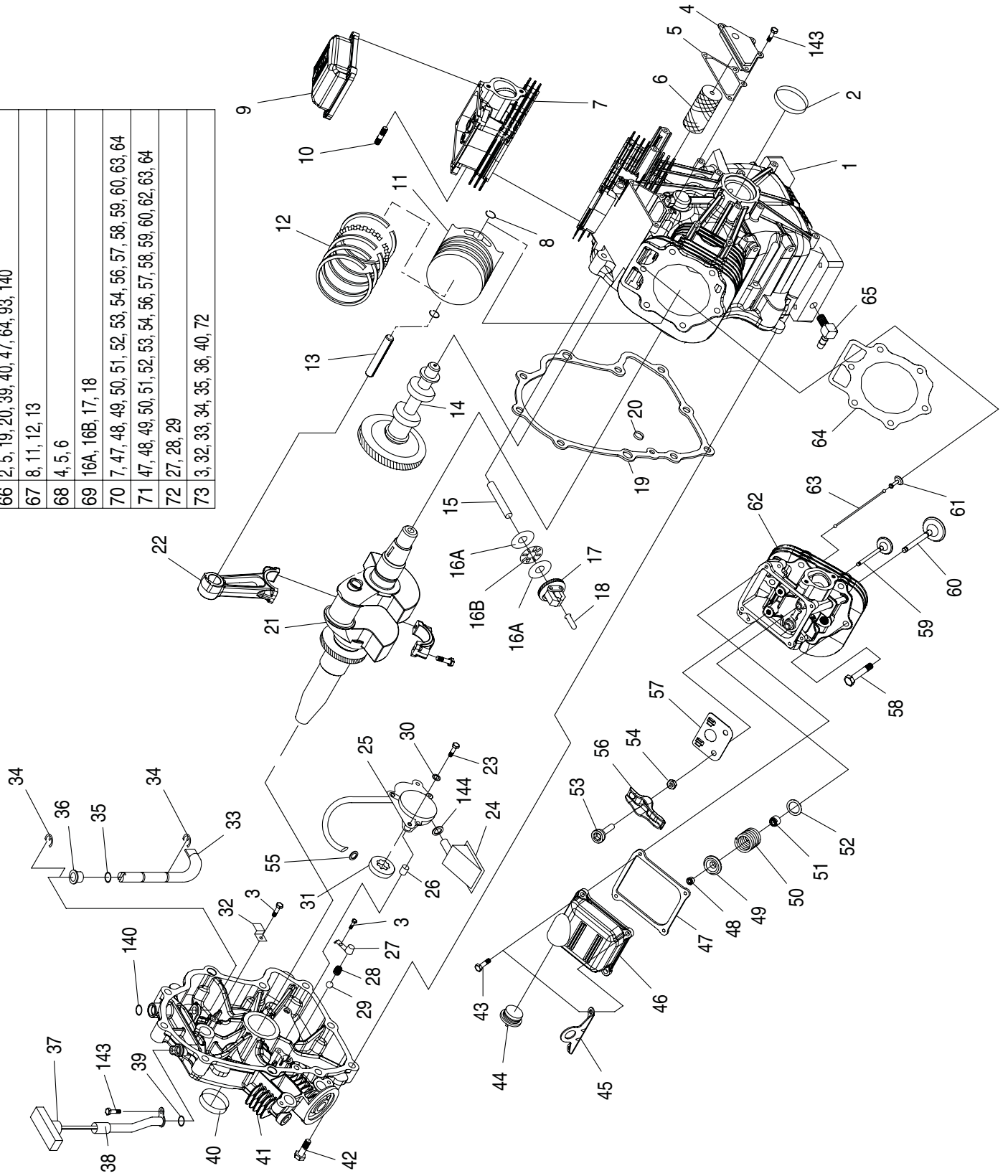


ITEM	PART NO.	QTY.	DESCRIPTION
1	0D3086	1	BOX GTS LOAD CENTER
2	0D3092	1	COVER, 12 CIRCUIT GTS LOAD CENTER
	0F5211	1	COVER, 10 CIRCUIT GTS LOAD CENTER
3	0C2237	1	TRANSFER SWITCH HOME STANDBY 100A 2P 250V
3A	077220	1	COIL UTILITY
3B	077220A	1	COIL STANDBY
3C	082574	1	INSULATOR-SIDEWALL (NOT SHOWN)
3D	084464	1	LIMIT SWITCH OPERATION (NOT SHOWN)
4	074908	6	SCREW HHTT M5-0.8 X 10
5	024912	1	SCREW HHTT 1/4-20 X 5/8
6	0A1658	1	LOCK WASHER, SPECIAL-1/4"
7	063617	1	RELAY PANEL 12VDC DPDT 10A@240VAC
8	0E7889	1	12 CIRCUIT LOAD CENTER 125A/240V
9	0A1495	4	SCREW HHTT M4-0.7 X 10
10	0A1661	2	RIVET POP .156" X .675"
11	022473	1	WASHER FLAT 1/4-M6 ZINC
12	055450	1	PLUG PLASTIC 1.375
	025034	1	PLUG STEEL 1.0625 (15KW)
13	0D4684	1	HARNESS ADAPTER PLATE
14	0E7900	1	SUBPLATE, LOAD CENTER
15	0F4790	10.5"	U-CHANNEL
16	022152	6	WASHER LOCK #10
17	064526	2	SCREW HWHS #6-25 X 3/8"
18	0E6155	1	ARM EXTENDER PIN
19	063378	4	HOLDER CABLE TIE
20	0D3094	1	HARNESS,GTS TO MAIN PANEL
21	074138	2	LUG QUICK DISCONNECT NI-S 10X45 DEG BRASS / TIN
22	036933	6	SCREW PPHM #10-32 X 3/8"
23	077033	6	LUG SLDLSS 1/0-#14X9/16 AL/CU
24	048850	1	BLOCK TERMINAL 20A 5 X 6 X 1100V
25	028739	4	TIE WRAP 3.9" X .10"
26	0A2110	4	SCREW SWAGE 1/4-20 X 1/2" ZINC
27	0D3191	1	COVER, RELAY & TERMINAL BLOCK
28	0D3088	1	WIRE HARNESS,GTS LOAD CENTER (NOT SHOWN FOR CLARITY)
29	073591	2	FUSE HOLDER
30	073590A	2	FUSE 5A X BUSS
31	040213B	4	PCB SUPPORT SNAP-IN 1-3/8"
32	0E7888C	3	CIRCUIT BREAKER 20A 1P
33	0E7888	1	CIRCUIT BREAKER 20A 2P
34	0E7888B	5	CIRCUIT BREAKER 15A 1P (12 CIRCUIT LOAD CENTER)
	0E7888B	3	CIRCUIT BREAKER 15A 1P (10 CIRCUIT LOAD CENTER)
35	0E7888A	1	CIRCUIT BREAKER 30A 2P
36	0D3320	1	COVER - HARNESS ENTRY
37	0D3093	1	HARNESS, GTS TO EXT CONN BOX
	0D8597	1	HARNESS, GTS TO EXT CONN BOX (8.5KW)
38	075475	2	SCREW PPHM M4-0.7 X 10
39	0A7215	4	SCREW SW 1/4"-20 X 5/8" WITH WASHER
40	0E6193	1	BRACKET, ARM EXTENDER

Section 8 – Exploded Views and Parts Lists

**Air-cooled 7 kW, 12 kW and 15 kW Generators
GT-990/760 Engine – Drawing No. 0E8774-M Part 1**

66	2, 5, 19, 20, 39, 40, 47, 64, 93, 140
67	8, 11, 12, 13
68	4, 5, 6
69	16A, 16B, 17, 18
70	7, 47, 48, 49, 50, 51, 52, 53, 54, 56, 57, 58, 59, 60, 63, 64
71	47, 48, 49, 50, 51, 52, 53, 54, 56, 57, 58, 59, 60, 62, 63, 64
72	27, 28, 29
73	3, 32, 33, 34, 35, 36, 40, 72



Section 8 – Exploded Views and Parts Lists

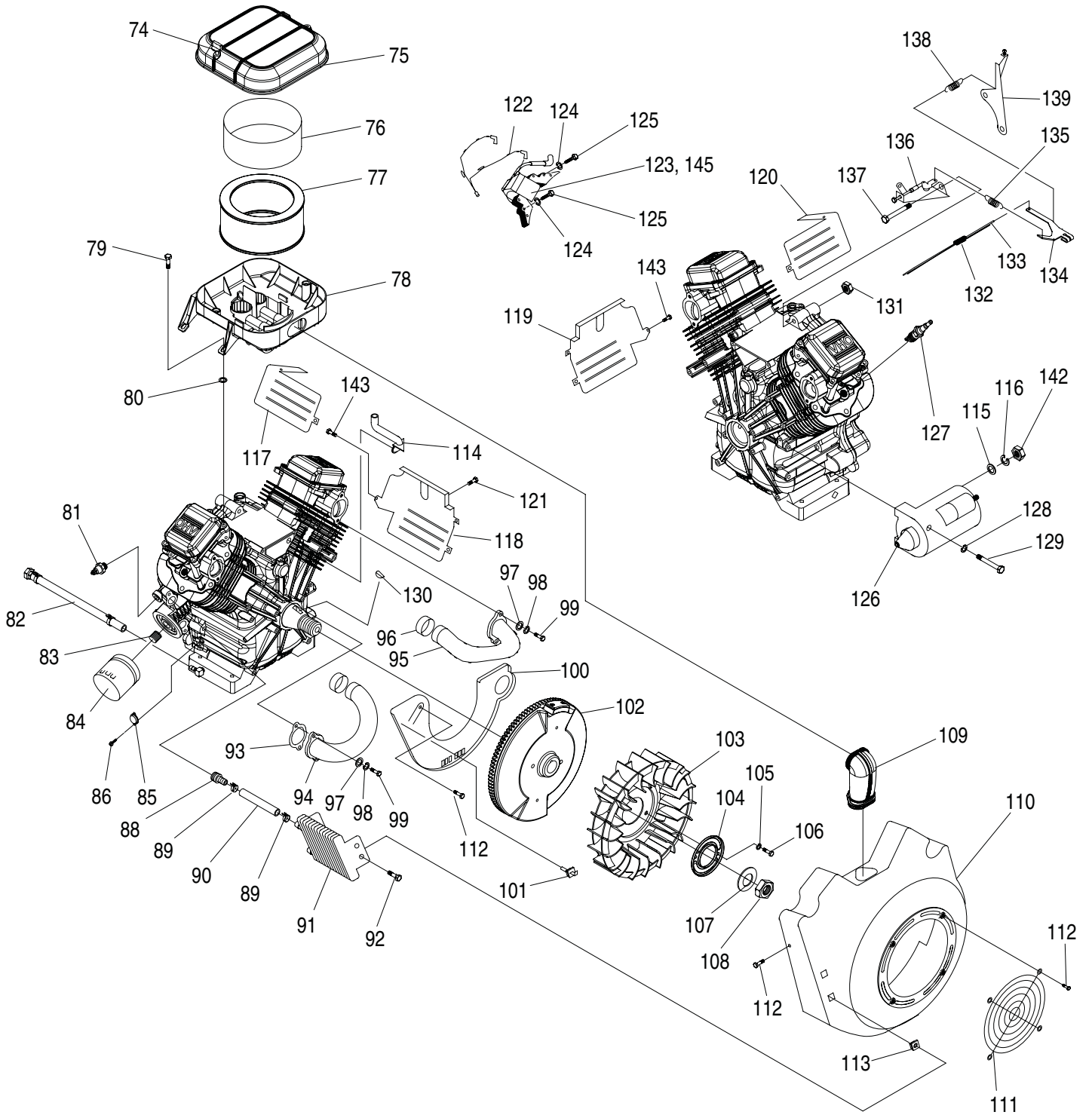
Air-cooled 7 kW, 12 kW and 15 kW Generators
GT-990/760 Engine – Drawing No. 0E8774-M Part 1



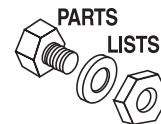
ITEM	PART NO.	QTY.	DESCRIPTION	ITEM	PART NO.	QTY.	DESCRIPTION
1	0C5729	1	ASSEMBLY, CRANKCASE HOUSING WITH SLEEVE	37	0C3971C	1	ASSEMBLY, DIPSTICK WITH HANDLE
2	0E9843	1	SEAL, 38 I.D. CRANKSHAFT	38	0C5305	1	TUBE, DIPSTICK
3	090388	3	SCREW, TAPTITE M6-1.0 X 12 YC	39	0C3027	1	O-RING, OIL CLR 3/8 X 1/2
4	0C5372	1	ASSEMBLY, BREATHER	40	0E9842	1	SEAL, 42 I.D. CRANKSHAFT
5	0C3005	1	GASKET, BREATHER COVER	41	0C5731	1	ASSEMBLY, HOUSING COVER WITH SLEEVE
6	0E3372B	3	SEPARATOR, OIL BREATHER	42	0C3006	9	SCREW, HHFC M10-1.5 X 55
7	0D8067A	1	ASSEMBLY, HEAD #1 G&S	43	080318	8	SCREW HHFC M6-1.0 X 25
8	071983	4	RETAINER, PISTON PIN 20	44	093064	1	ASSEMBLY, OIL FILL CAP
9	0C2981C	1	ROCKER, COVER NO OIL FILL	45	0C8808	2	HOOK, LIFTING
10	045761A	4	STUD M8-1.25/10MM X 30 G5 ZINC	46	0D2723B	1	ROCKER, COVER WITH OIL FILL
11	0E2985	2	PISTON, HC	47	0C2979	2	GASKET, VALVE COVER
12	021533	2	SET, PISTON RING 90MM	48	086515	8	KEEPER, VALVE SPRING
13	0E1466	2	PIN PISTON	49	0D2274	4	RETAINER, VALVE SPRING
14	0D4041	1	ASSEMBLY, CAMSHAFT & GEAR	50	0D3867	4	SPRING, VALVE
15	0C2983	1	SHAFT, GOVERNOR	51	078672	2	SEAL, VALVE STEM D7
16A	0C2985A	2	ROLLER BEARING, GOVERNOR PLATE	52	0C5371	4	WASHER, VALVE SPRING
16B	0C2985B	1	ROLLER BEARING, GOVERNOR	53	072694	4	STUD, ROCKER ARM PIVOT
17	0D4042	1	ASSEMBLY, GOVERNOR GEAR	54	0D3998	4	NUT HEX M8-1.0 G8 YEL CHR
18	0A7811	1	SPOOL, GOVERNOR MACHINED	55	0C3027	2	O-RING, 3/8" X 1/2"
19	0C2977	1	GASKET, CRANK CASE	56	0D5313	4	ROCKER ARM
20	0C5943	1	SEAL, OIL PASSAGE	57	0D6024	2	PLATE, PUSH ROD GUIDE
21	0E4357E	1	ASSEMBLY, CRANKSHAFT HORIZONTAL DIRECT DRIVE	58	0C2976	12	SCREW HHFC M8-1.25 X 65
22	0E3223	2	ASSEMBLY, CONNECTING ROD	59	086516	2	VALVE, EXHAUST
23	0D2157	2	SCREW SHC M6-1.0 X 50 G8.8	60	0C2229	2	VALVE, INTAKE
24	0E6098	1	SCREEN, OIL PICKUP	61	083897	4	TAPPET, SOLID
25	0D4123A	1	ASSEMBLY, OIL PUMP	62	0D8067B	1	ASSEMBLY, HEAD #2 G&S
26	078699E	2	SLEEVE, SEAMED DOWEL 10 DIA.	63	0D9853D	4	PUSHROD, 147
27	0C3011	2	COVER, OIL RELIEF	64	0C2978	2	GASKET, HEAD
28	0C3009	2	SPRING, OIL RELIEF	65	043790	1	BARBED ELBOW 90 3/8NPT X 3/8
29	0C3010	2	BALL, 1/2D OIL RELIEF	66	0D4010	1	KIT GASKET
30	093873	2	WASHER, LOCK RIB M6	67	0D4011	1	KIT PISTON & RINGS
31	0C5315	1	GEROTOR, OUTER	68	0D4012	1	KIT BREATHER ASSEMBLY
32	0C5998	1	CLAMP, OIL TUBE	69	0D4013	1	KIT GOVERNOR ASSEMBLY
33	0D1667	1	ARM, GOVERNOR	70	0D8675A	1	KIT HEAD ASSEMBLY CYLINDER 1
34	0C2991	2	E-RING, GOVERNOR ARM	71	0D8675B	1	KIT HEAD ASSEMBLY CYLINDER 2
35	0C2988	1	THRUST WASHER, GOVERNOR	72	0D4015	1	KIT OIL RELIEF
36	0C2992	1	BUSHING, GOVERNOR LOWER	73	0D4016	1	KIT GEAR COVER

Section 8 – Exploded Views and Parts Lists

**Air-cooled 7 kW, 12 kW and 15 kW Generators
GT-990/760 Engine – Drawing No. 0E8774-M Part 2**



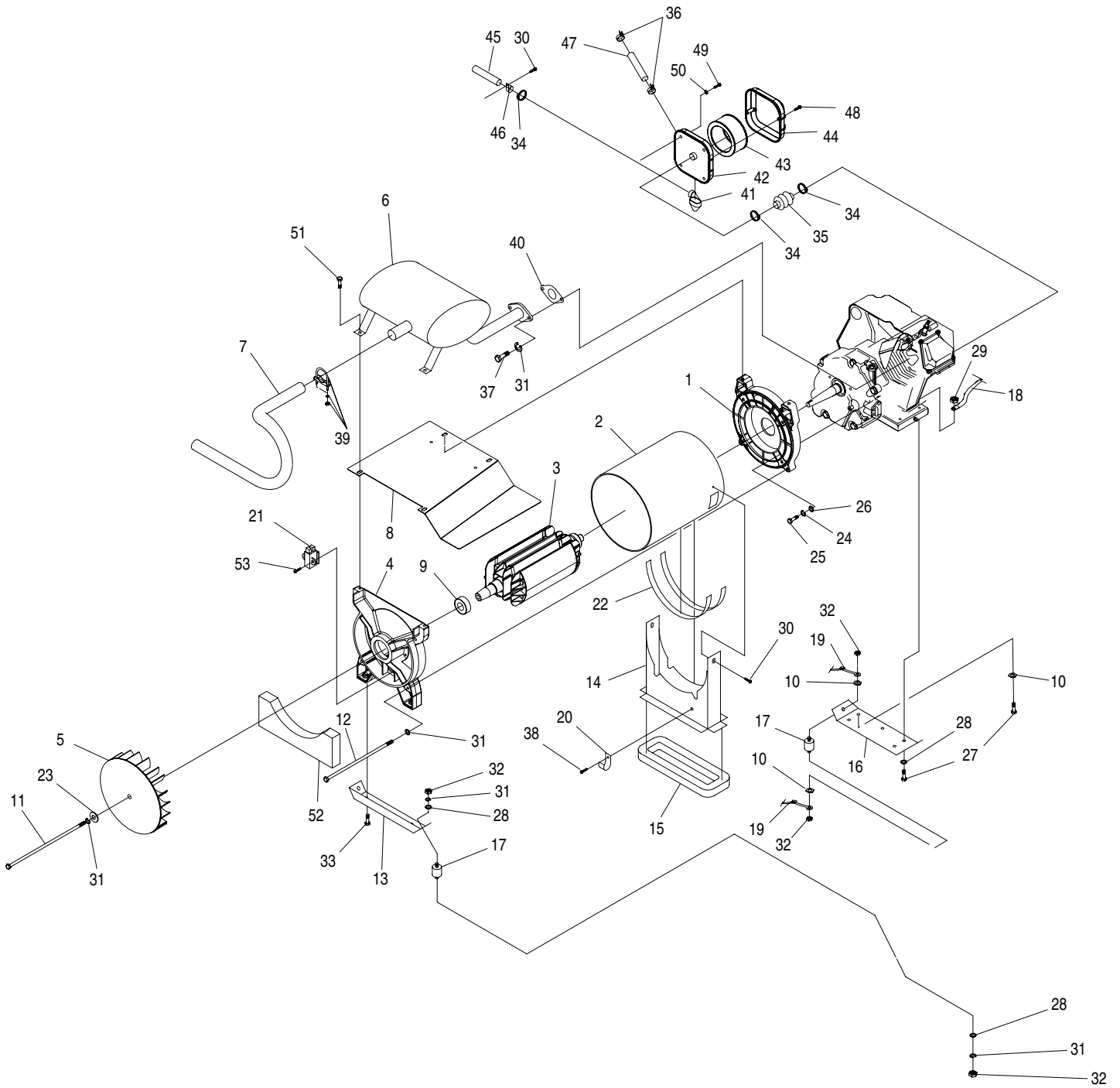
Section 8 – Exploded Views and Parts Lists
Air-cooled 7 kW, 12 kW and 15 kW Generators
GT-990/760 Engine – Drawing No. 0E8774-M Part 2



ITEM	PART NO.	QTY.	DESCRIPTION	ITEM	PART NO.	QTY.	DESCRIPTION
74	0C5136A	2	KNOB, AIR CLEANER	111	0D1131	1	GUARD, FAN
75	0C3024	1	COVER, AIRBOX NG/LP	112	045756	25	SCREW TAPTITE M6-1X10 YELLOW CHROME
76	0C3040	1	PRE-CLEANER,				
77	0C8127	1	ELEMENT, AIR CLEANER	113	0C9763	4	NUT, GROMMET 1/4 PLUG
78	0D8564A	1	ASSEMBLY, MIXER/AIRBOX 990	114	0C3036A	1	HOSE, BREATHER
	0D8564B	1	ASSEMBLY, MIXER/AIRBOX 760	115	022145	1	WASHER FLAT 5/16-M8 ZINC
79	0D2595	4	SCREW SHOULDER (8MM) M6-1.0 X 18	116	022129	1	WASHER LOCK M8-5/16
80	0D4417	4	WASHER,RUBBER 1/4" X 1/8" THICK	117	0C3018	1	WRAPPER, UPPER CYLINDER 1
81	0C3025	1	SWITCH, OIL PRESS	118	0C3019	1	WRAPPER, LOWER CYLINDER 1
82	0D3083	1	ASSEMBLY, OIL DRAIN HOSE	119	0D1142A	1	WRAPPER, LOWER CYLINDER 2
83	0C7292	1	NIPPLE, 3/4"-16 UNF	120	0D1143	1	WRAPPER, UPPER CYLINDER 2
84	070185B	1	OIL FILTER	121	0E6043	2	SCREW TAPTITE M5-0.8 X 8 ZP
85	075281	1	SWITCH, THERMAL 284F	122	0F1177	1	ASSEMBLY, GROUND WIRE
86	0F2094	2	SCREW, M3-0.5 X 6 SEMS	123	0C3052	1	ASSY, IGNITION COIL GV-990 CYLINDER 2
87							
88	035461	2	BARBED STR 1/4NPT X 3/8	124	022097	4	WASHER LOCK M6-1/4
89	0F6301	4	CLAMP, HOSE OETIKER 16.5mm	125	092079	4	SCREW TAPTITE M6-1.0 X 25 BP
90	0C9806	2	HOSE, 3/8" I.D. X 6" LONG	126	0E4271	1	STARTER
91	0C3026	1	COOLER, OIL	127	0D4529	2	SPARKPLUG
92	0C9764	4	PLASTITE, 1/4-15 X 3/4	128	022129	2	WASHER LOCK M8-5/16
93	0C3043	2	GASKET, MANIFOLD / PORT	129	061906	2	SCREW HHC M8-1.25 X 85 G8.8
94	0C7694	1	MANIFOLD CYLINDER 2	130	082774	1	KEY, WOODRFF 4 X 19D
95	0C7693	1	MANIFOLD CYLINDER 1	131	0E5343	1	NUT HEX LOCK M10-1.50
96	0C3041A	2	SLEEVE, RUBBER	132	0C8468	1	SPRING, ANTI-LASH
97	070008	4	WASHER FLAT M8 SS	133	0C3048	1	ROD, GOVERNOR CONTROL
98	070006	4	WASHER LOCK M8 SSSL	134	0D3754	1	ASSEMBLY, GOVERNOR LEVER
99	040976	4	SCREW SHC M8-1.25 X 20 G12.9	135	0D3742	1	SPRING, GOVERNOR
100	0C3016A	1	PLATE, BACKING WITH OIL COOLER	136	0C8482	1	ASSEMBLY, GOVERNOR ADJUSTER
101	0E4997	1	GROUND WIRE CONNECTOR	137	0E0486	1	SCREW SHC M10-1.5 X 75 G10.9
102	0C3725B	1	FLYWHEEL ASSEMBLY	138	0D3743	1	SPRING, GOVERNOR IDLE
103	0C3031	1	FAN, NYLON	139	0D3705	1	ASSEMBLY, GOVERNOR ADJUSTER BRACKET
104	0C3032	1	PLATE, FAN				
105	0A5992	2	WASHER SHAKEPROOF INT M8 SS	140	0C2993	1	SEAL, GOVERNOR SHAFT
106	051754	2	SCREW HHC M8-1.25 X 12 G8.8	142	045771	1	NUT HEX M8-1.25 G8
107	0C3033	1	WASHER, 25mm I.D.	143	0D6147	7	SCREW HHFC M6-1.0 X 10mm
108	0C3034	1	NUT,HEX M24	144	0E8152	1	O-RING 0.49" I.D. X 0.07" THICK
109	0C8549A	1	SNORKEL, AIR INTAKE	145	0E7743	1	ASSY, IGNITION COIL 270mm CYLINDER 1
110	0C3022A	1	HOUSING, BLOWER NG COOLER				

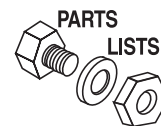
Section 8 – Exploded Views and Parts Lists

**Air-cooled 7 kW, 12 kW and 15 kW Generators
7 kW Generator – Drawing No. 0D3504-E**



Section 8 – Exploded Views and Parts Lists

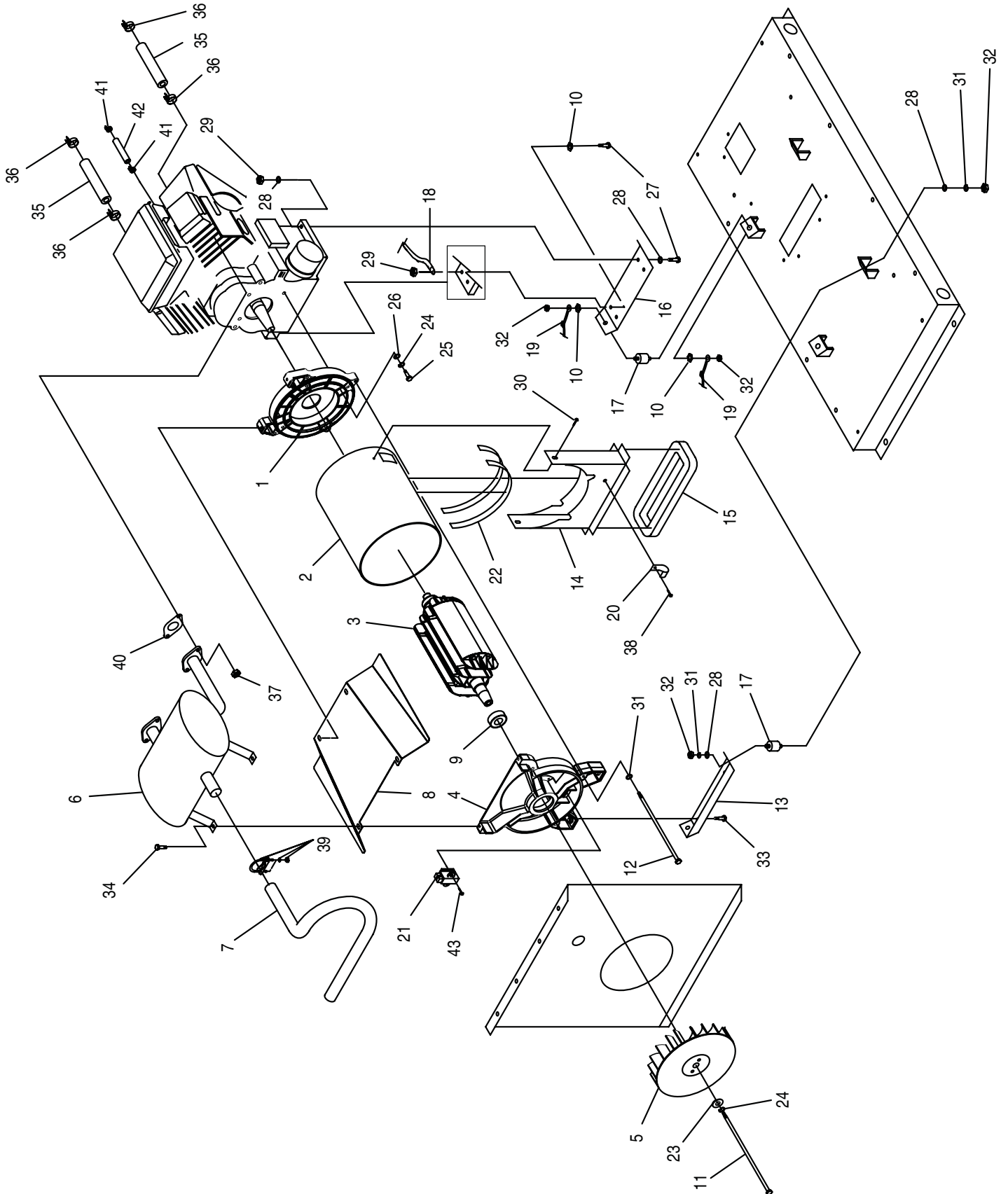
**Air-cooled 7 kW, 12 kW and 15 kW Generators
7 kW Generator – Drawing No. 0D3504-E**



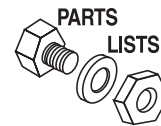
ITEM	PART NO.	QTY.	DESCRIPTION
1	0C6934	1	ADAPTOR, ENGINE
2	0C9935H	1	STATOR
3	0C9934H	1	ROTOR
4	0C6043A	1	CARRIER, REAR BEARING
5	0C8096	1	FAN, 8" CURVED BLADE
6	0C9593	1	MUFFLER
7	0D3220	1	TAIL PIPE, MUFFLER
8	0C8860	1	PANEL, MUFFLER BASE
9	031971	1	BEARING #6205-2RS-C3
10	0C3168	3	5/16 SPECIAL L/WASH
11	056147	1	BOLT ROTOR HHCS 5/16"-24 X 13-1/2" G5
12	0D1847	4	BOLT STATOR HHCS M8-1.25 x 305mm
13	0C7038C	1	BRACKET, ALTERNATOR MOUNTING
14	0D1647	1	DUCT, ALTERNATOR AIR
15	0D2558	1	GASKET, ALTERNATOR AIR DUCT
16	0C7038B	1	BRACKET, ENGINE MOUNTING
17	0C7758	4	RUBBER MOUNT
18	0388050AE0	1	CABLE, #6 40" BLACK BATTERY
19	0C2417A	1	EARTH STRAP 3/8X 3/8
20	082121C	1	CLIP-J VINYL COAT .625 ID
21	066386	1	ASSEMBLY BRUSH HOLDER
22	029451	1.8 FT	TAPE ELEC UL FOAM 1/8 X 1/2
23	049451	1	WASHER FLAT .406ID X 1.62OD
24	022237	4	WASHER LOCK 3/8
25	022511	4	BOLT HHC 3/8-16 X 1-1/4 G5
26	022131	4	WASHER FLAT 3/8 ZINC
27	039287	4	SCREW HHC M8-1.25 X 45 G8.8
28	022145	12	WASHER FLAT 5/16 ZINC
29	049820	4	NUT LOCK HEX M8-1.25 NYL INSRT
30	090388	3	SCREW TAP M6-1.0X12 BP
31	022129	13	WASHER LOCK M8-5/16
32	022259	8	NUT HEX 5/16-18 STEEL
33	059637	2	SCREW TAPTITE 3/8-16X 3/4" BP
34	048031K	3	BAND, HOSE CLAMP 35.05 DIA.
35	0C9592	1	BELLOWS
36	048031M	2	HOSE CLAMP 3/4"
37	040976	2	SCREW SHC M8-1.25 X 20 G12.9
38	0C2824	1	SCREW TAPR #10-32 X 9/16
39	025145	1	U-BOLT 5/16"-18 X 1.25" W/ SADDLE
40	090239	1	GASKET, EXHAUST
41	0C6989	1	STINGER, ENGINE AIR IN
42	0D1214	1	BASE, AIR CLEANER
43	0C8127	1	ELEMENT, AIR CLEANER
44	0C3024	1	COVER, AIR CLEANER NG/LP
45	0D2273	1	TUBE, 1.25"O.D. x 20Ga. x 12.125" LONG
46	055934N	1	CLAMP VINYL 1.31 X .281 Z
47	0F7065	1.25 FT	HOSE LP 1/2" I.D.
48	0C5136A	2	KNOB, AIR CLEANER
49	074906	4	SCREW TAPTITE M6-1 X 20 BP
50	022473	4	WASHER FLAT 1/4 ZINC
51	0D4662	6	SCREW HHTT M8-1.2 X 20 BP
52	0C8290	1	GASKET, PANEL
53	066849	2	SCREW HHTT M5-0.8 X 16

Section 8 – Exploded Views and Parts Lists

Air-cooled 7 kW, 12 kW and 15 kW Generators
12 kW and 15 kW Generator – Drawing No. OD3417-L



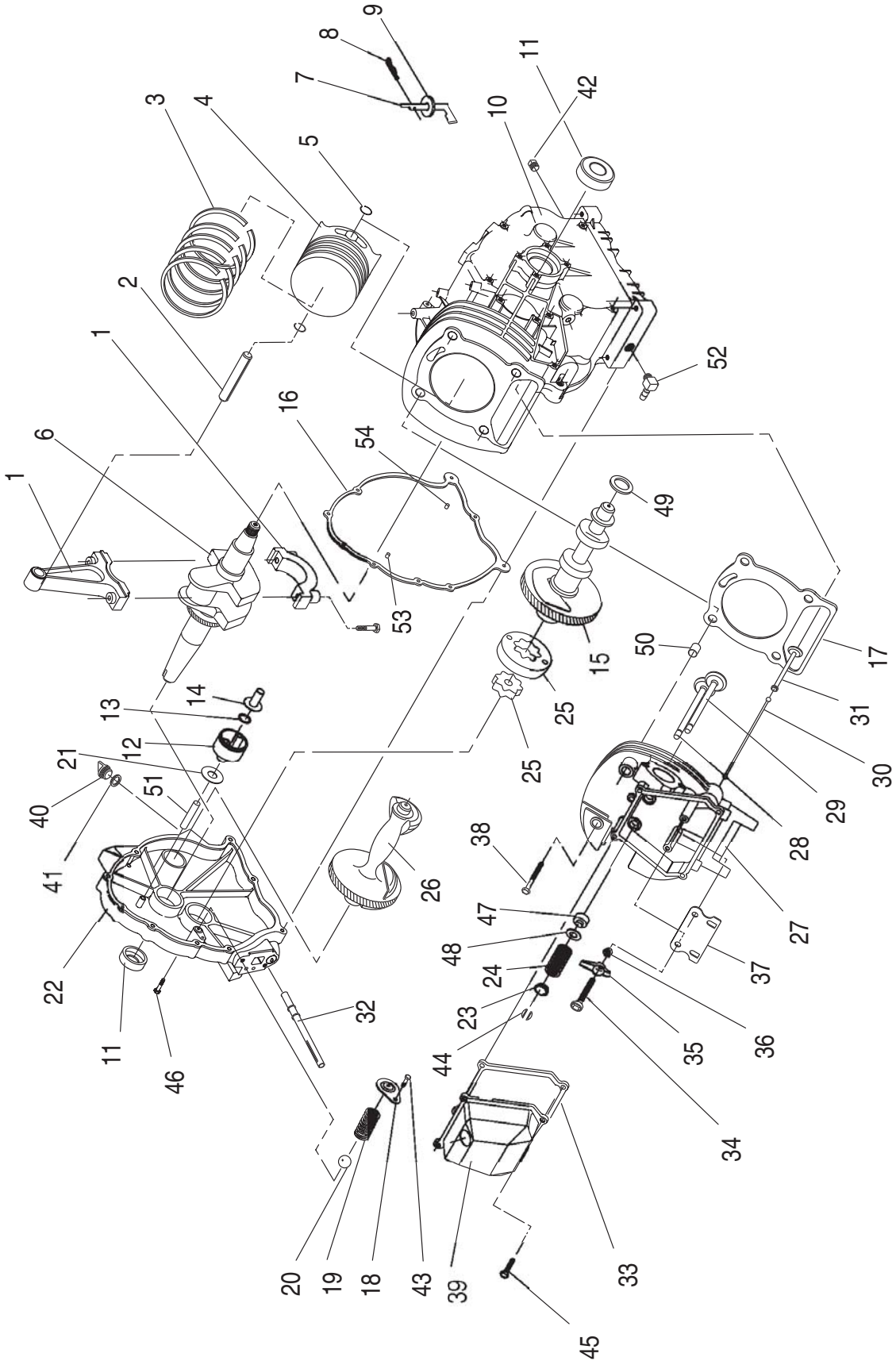
Section 8 – Exploded Views and Parts Lists
Air-cooled 7 kW, 12 kW and 15 kW Generators
12 kW and 15 kW Generator – Drawing No. 0D3417-L



ITEM	PART NO.	QTY.	DESCRIPTION
1	0C6934	1	ADAPTOR, ENGINE
2	0C7930	1	STATOR 12KW
	0D2359		STATOR 13KW / 15KW
3	0C7944	1	ROTOR 12KW
	0D2356		ROTOR 13KW / 15KW
4	0C6043	1	CARRIER, REAR BEARING
5	0D2336	1	FAN, 12" CURVED BLADE
6	0D6634	1	MUFFLER
7	0D3220	1	TAIL PIPE, MUFFLER
8	0C8101	1	PANEL, MUFFLER BASE
9	056482	1	BEARING 1.1811-2.8346
10	0C3168	3	5/16 SPECIAL LOCK WASHER
11	0D1838	1	BOLT, HHCS 3/8"-24 x 15.50"
12	0D1846	4	BOLT, HHCS M8-1.25 x 345mm
13	0C7038	1	BRACKET, ALTERNATOR MOUNTING
14	0D1609	1	DUCT, ALTERNATOR AIR
15	0D2559	1	GASKET, ALTERNATOR AIR DUCT
16	0C7038A	1	BRACKET, ENGINE MOUNTING
17	0C7758	4	RUBBER MOUNT
18	0388050AD0	1	CABLE, #6 48" BLACK BATTERY
19	0C2417A	1	EARTH STRAP 3/8X 3/8
20	082121C	1	CLIP-J, VYNL COAT 0.625" ID
21	066386	1	ASSEMBLY BRUSH HOLDER
22	029451	2.6 FT	TAPE ELEC UL FOAM 1/8 X 1/2
23	049451	1	WASHER FLAT .406ID X 1.62OD
24	022237	5	WASHER LOCK 3/8
25	022511	4	SCREW HHC 3/8-16 X 1-1/4 G5
26	022131	4	WASHER FLAT 3/8 ZINC
27	051731	4	SCREW HHC M8-1.25 X 50 G8.8
28	022145	12	WASHER FLAT 5/16 ZINC
29	049820	4	NUT LOCK HEX M8-1.25 NYL INSERT
30	045756	2	SCREW TAPTITE M6-1.0X10 BP
31	022129	10	WASHER LOCK M8-5/16
32	022259	8	NUT HEX 5/16-18 STEEL
33	059637	2	SCREW TAPTITE 3/8-16 X 3/4 BP
34	0D4662	4	SCREW 5/16-18X3/4" HH THD ROLL
35	0F7065	3 FT	HOSE RES 1/2 LP GAS
36	048031M	4	HOSE CLAMP 3/4" I.D.
37	0F0462	4	NUT HEX W/TOOTH WSHR M8-1.25
38	0C2824	1	SCREW TAP-R #10-32 x 9/16
39	025145	1	U-BOLT 5/16"-18 X 1.25" WITH SADDLE
40	0C4138	2	GASKET, EXHAUST PORT
41	040173	2	CLAMP HOSE #5.5 0.62"-0.62"
42	074995	1.44 FT	HOSE 1/4 ID LPG 350PSI UL21
43	066849	2	SCREW HHTT M5-0.8 X 16

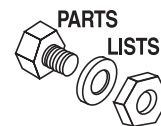
Section 8 – Exploded Views and Parts Lists

**Air-cooled 7 kW, 12 kW and 15 kW Generators
GN410 Engine – Drawing No. 0F3981-A Part 1**



Section 8 — Exploded Views and Parts Lists

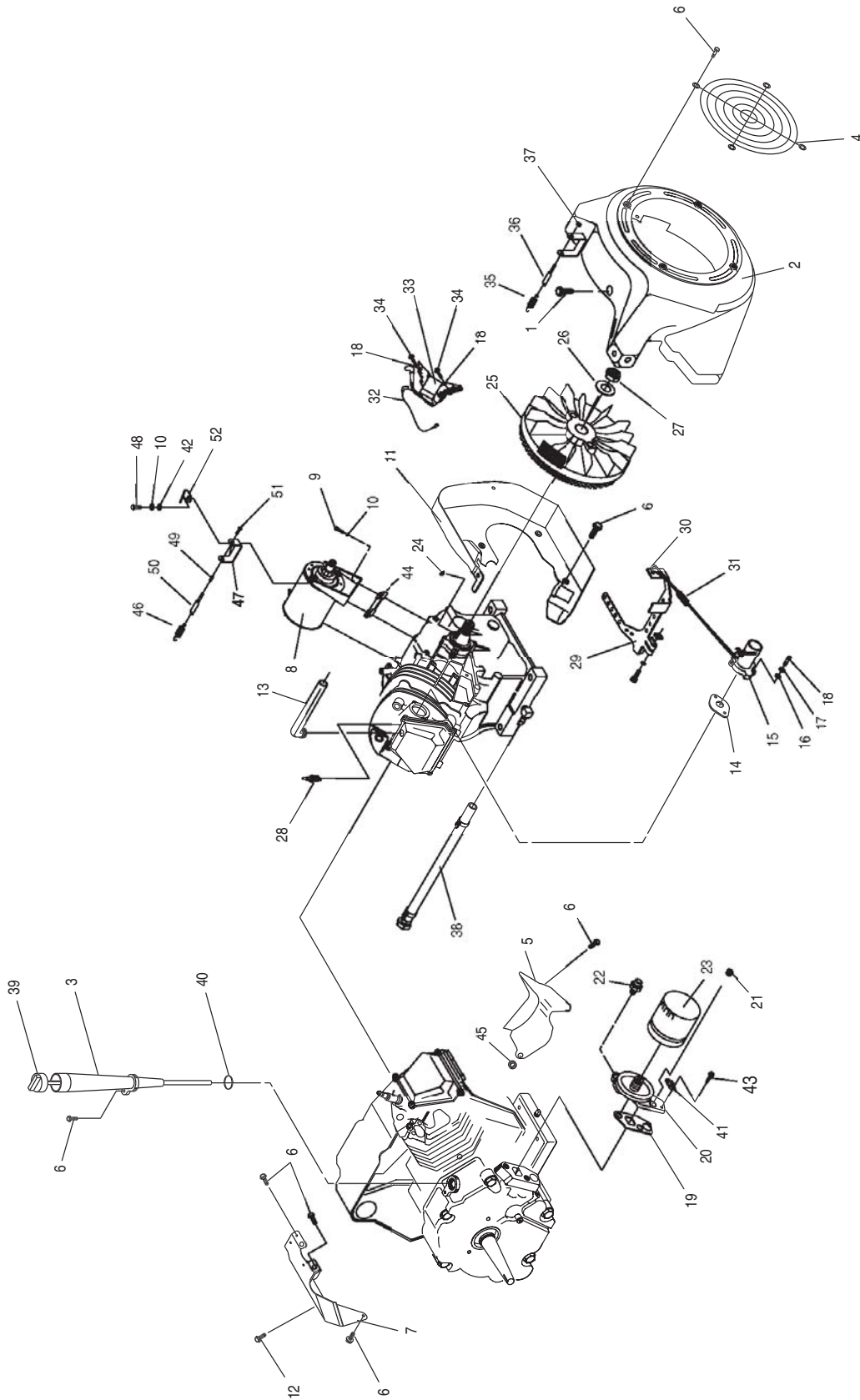
**Air-cooled 7 kW, 12 kW and 15 kW Generators
GN410 Engine – Drawing No. 0F3981-A Part 1**



ITEM	PART NO.	QTY.	DESCRIPTION
1	0E3221	1	ASSEMBLY, CONNECTING ROD
2	0E1466	1	PIN, PISTON D20
3	021533	1	SET, PISTON RING 90MM
4	0E2985	1	PISTON, HC
5	071983	2	RETAINER, PISTON PIN 20
6	0E8440	1	ASSEMBLY, CRANKSHAFT GH410 SMALL TAPER
7	0A7628	1	ARM, GOVERNOR RC45
8	078658	1	PIN, "R" GOVERNOR ARM
9	078659	2	WASHER, GOVERNOR ARM THRUST
10	088261E	1	CRANKCASE, SUBASSEMBLY WITH PLUGS GH410
11	0E3812	2	SEAL, 35 I.D. CRANKSHAFT
12	0E6519	1	ASSEMBLY, GOVERNOR GEAR
13	078645	1	C-RING, GOVERNOR GEAR RETAINER
14	0A7811	1	SPOOL, GOVERNOR- MACHINE
15	0A9877	1	ASSEMBLY, CAMSHAFT & GEAR
16	076701	1	GASKET , CRANKCASE
17	021713B	1	GASKET, HEAD 410
18	078691	1	COVER, OIL PRESSURE RELIEF
19	0A5771	1	SPRING, OIL RELIEF 360
20	0A5776	1	BALL, DIA 11/32 PRESSURE RELIEF
21	076361	1	WASHER, THRUST GOVERNOR GEAR
22	0A8898D	1	ASSEMBLY, COVER, GEAR TOP CHECK / FILL
23	0D2274	2	RETAINER, VALVE SPRING
24	0C4391	2	VALVE SPRING LF
25	086025	1	SET,GEROTOR 12 THK
26	0E3341	1	BALANCER
27	021714	1	ASSEMBLY,CYLINDER HEAD SEATS & GUIDES
28	086516	1	VALVE, EXHAUST
29	086517	1	VALVE, INTAKE
30	0D9853B	2	PUSH ROD 174.9
31	083897	2	TAPPET
32	077158	1	ASSEMBLY, SCREEN OIL PICK-UP
33	0C3150	1	GASKET, ROCKER COVER 410
34	072694	2	STUD, D20 PIVOT BALL
35	083907	2	ROCKER ARM
36	072696	2	NUT, JAM (ROCKER ARM)
37	078694	1	PLATE, PUSH ROD GUIDE
38	021742	4	SCREW, HHFL M10-1.5 X 105
39	0D6094	1	ASSEMBLY, ROCKER COVER BREATHER
40	076329	1	PLUG, OIL FILL PLASTIC
41	0E0057	1	O-RING 17.8 I.D. x 2.4
42	0D4788	1	PLUG, STANDARD PIPE 3/8 STEEL SQUARE HEAD
43	074908	1	SCREW, TAPTITE M5-0.8 X 10 BP
44	086515	4	KEEPER, VALVE SPRING
45	078606	4	SCREW & LOCKWASHER M6-1 X 12
46	0A1442	8	SCREW, HHFC M8-1.25 X 42
47	078672	1	SEAL, VALVE STEM D7
48	089673	2	WASHER, VALVE SPRING
49	0B2104	1	WASHER, LARGE SPRING
50	078699C	2	DOWEL, SEAMED SLEEVE
51	0A7627	1	SHAFT, GOVERNOR RC55
52	043790A	1	BARBED ELBOW 90 3/8NPT X 3/8 LOCKTITE
53	088590	1	DOWEL DIA 12 X 18L
54	078699B	1	DOWEL, SLEEVE SEAMED 12 DIA.

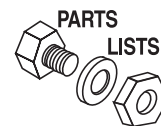
Section 8 – Exploded Views and Parts Lists

**Air-cooled 7 kW, 12 kW and 15 kW Generators
GN410 Engine – Drawing No. 0F3981-A Part 2**



Section 8 – Exploded Views and Parts Lists

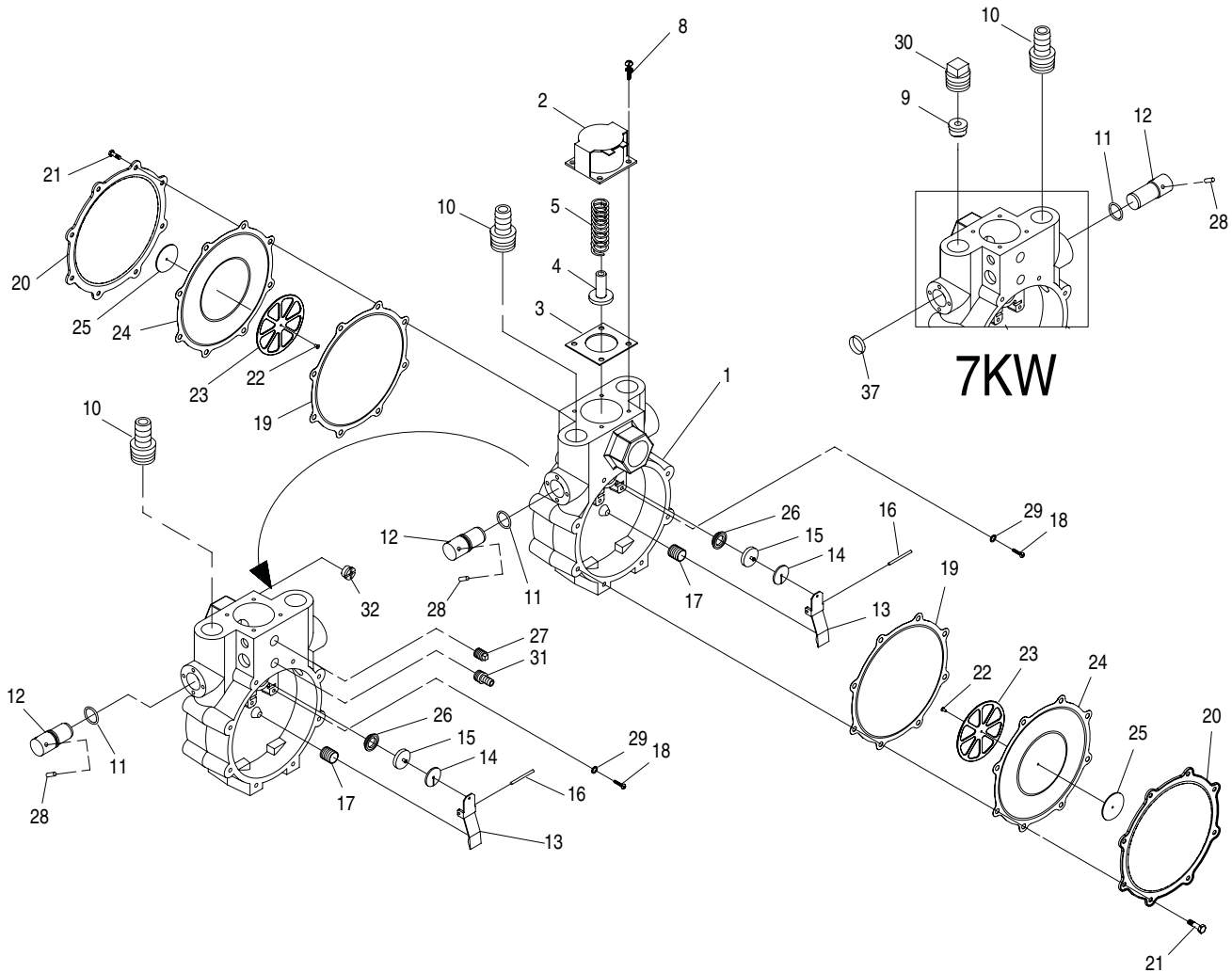
**Air-cooled 7 kW, 12 kW and 15 kW Generators
GN410 Engine – Drawing No. 0F3981-A Part 2**



ITEM	PART NO.	QTY.	DESCRIPTION
1	0C1069	5	SCREW, TAPTITE M6-1.0X8 YELLOW CHROME
2	0D2922	1	HOUSING, BLOWER
3	0C8435	1	TUBE, DIPSTICK
4	0C9997	1	GUARD, FAN
5	088434	1	WRAPPER, BOTTOM
6	045756	11	SCREW, TAPTITE M6-1X10 YELLOW CHROME
7	0C4176A	1	WRAPPER, TOP
8	0D9004A	1	ASSY, STARTER
9	059985	2	SCREW, SHC M8-1.25 X 45 G12.9
10	022129	3	WASHER, LOCK M8-5/16
11	0C2458A	1	BACKPLATE, L/F D/F
12	083512	1	SCREW, TAPTITE M8-1.25 X 16 BP
13	0D1401A	1	BREATHER TUBE
14	091039	1	GASKET, INTAKE ADAPTER
15	0C9619	1	ASSEMBLY, PLASTIC CARB
16	049811	2	WASHER, FLAT M6
17	022097	4	WASHER, LOCK M6-1/4
18	040945	2	SCREW, SHC M6-1.0 X 20 G12.9
19	086999	1	GASKET,OIL FILTR ADAPTER
20	0D5667A	1	ADAPTER, OIL FILTER
21	049821	2	SCREW, SHC M8-1.25 X 30 G12.9
22	099236	1	SWITCH, OIL 8.0 PSI
23	070185B	1	OIL FILTER
24	082774	1	KEY, WOODRFF 4 X 19D
25	091222E	1	FLYWHEEL WITH RING GEAR 32DEG.
26	067198N	1	WASHER,BELV-20 X 2.2
27	067890	1	NUT, HEX - FLYWHEEL
28	0E7585	1	SPARKPLUG
29	072734	1	ASSEMBLY,GOVERNOR LEVER 12 HP
30	072735	1	ROD,GOVERNOR CONTROL.
31	0C3978	1	SPRING, ANTI-LASH
32	0C6040	1	ASSEMBLY, WIRE
33	0D9760	1	ASSEMBLY, IGNITION COIL
34	092079	2	SCREW, TAPTITE M6-1.0 X 25 BP
35	0F3800	1	SPRING GOVERNOR
36	083502	1	BOLT, GOVERNOR ADJUST M5
37	082025	1	NUT HEX LOCK M5-0.8 NYINS ZINC
38	0D3083	1	ASSEMBLY, OIL DRAIN HOSE
39	0E7887C	1	ASSEMBLY, CAP & DIPSTICK
40	090072	1	O-RING 9/16 X 3/4 X 3/32
41	075281	1	SWITCH, THERMAL
42	022145	1	WASHER FLAT 5/16 - M8
43	0F2094	2	SCREW, M3-0.5 X 6 SEMS
44	0C4373	1	SPACER, ENDFRAME
45	022717B	1	GOMMET
46	0F3865	1	SPRING SECONDARY
47	0F3855	1	BRACKET SECONDARY GOVERNOR SPRING
48	039253	1	SCREW HHC M8-1.25 x 20
49	0D3751	1	SPRING, IDLE RETURNING
50	0F3921	1	BARREL GOVERNOR ADJUSTMENT
51	0C8493	1	SCREW SHC M5-0.8 x 30
52	0D8758	1	ENGINE LIFT HOOK

Section 8 – Exploded Views and Parts Lists

**Air-cooled 7 kW, 12 kW and 15 kW Generators
Gas Regulator – Drawing No. 0D8720-H**



ITEM	PART NO.	QTY.	DESCRIPTION	ITEM	PART NO.	QTY.	DESCRIPTION
1	0D5694	1	CASTING, TWIN REGULATOR HOUSING	22	0C6731	2	RIVET, POP .118 X .125
2	0F5022	1	SOLENOID COIL, 12VDC	23	0C6067	2	SUPPORT, DIAPHRAGM
3	0C4647	1	GASKET , SOLENOID	24	0C4706	2	DIAPHRAGM, TWIN REGULATOR
4	0D4166	1	PLUNGER, LP REGULATOR ASSEMBLY	25	0C6068	2	CAP, DIAPHRAGM SUPPORT
5	0C6070	1	SPRING-SOLENOID, PLUNGER	26	0C4643A	2	INLET, TWIN REGULATOR 11.11 DIA.
8	0F4795	4	SCREW PPHM SEMS M4-0.7 X 10	27	026073	1	PLUG, STANDARD PIPE 1/8" STEEL SQUARE HEAD
9	0C5760J	1	JET, GN 410 ENGINE LP (7KW)	026073	2	PLUG, STANDARD PIPE 1/8" STEEL SQUARE HEAD (7KW)	
10	0C6606	2*	BARBED STRAIGHT 1/2NPT x 1/2	28	0A4032	2*	PIN, LIMITED ADJUSTMENT
11	097934	2*	O-RING, CHECK VALVE	29	0D3308	4	WASHER, FLAT M3 X 10mm O.D.
12	0C4645	2*	ADJUSTER SCREW, TWIN REGULATOR	30	024310	1	PLUG, STANDARD PIPE 1/2" STEEL SQUARE HEAD (7KW)
13	0C5761	2	LEVER, REGULATOR	31	028414A	1	BARBED STRAIGHT 1/8"NPT X 1/4"
14	0C5968	2	SUPPORT, INLET SEAL	32	0D5698A	1	JET IDLE PRIMER PHILLIPS HD (V-TWIN ONLY)
15	0C6066	2	SEAL, INLET	37	0D3973	1	PLUG, EXPANSION 16mm
16	0C5759	2	PIN, PIVOT ARM				
17	0C5764	2	SPRING, REGULATOR				
	0C5764A	2	SPRING, REGULATOR (7KW)				
18	070728	4	SCREW, PFHMS M3-0.5 x 5				
19	0C6069	2	GASKET, DIAPHRAGM				
20	0C5762	2	COVER, TWIN REGULATOR				
21	045764	16	SCREW, TAPTITE M4X8 BP				

* A QUANTITY OF 1 IS TO BE USED ON 7KW HOME STANDBY