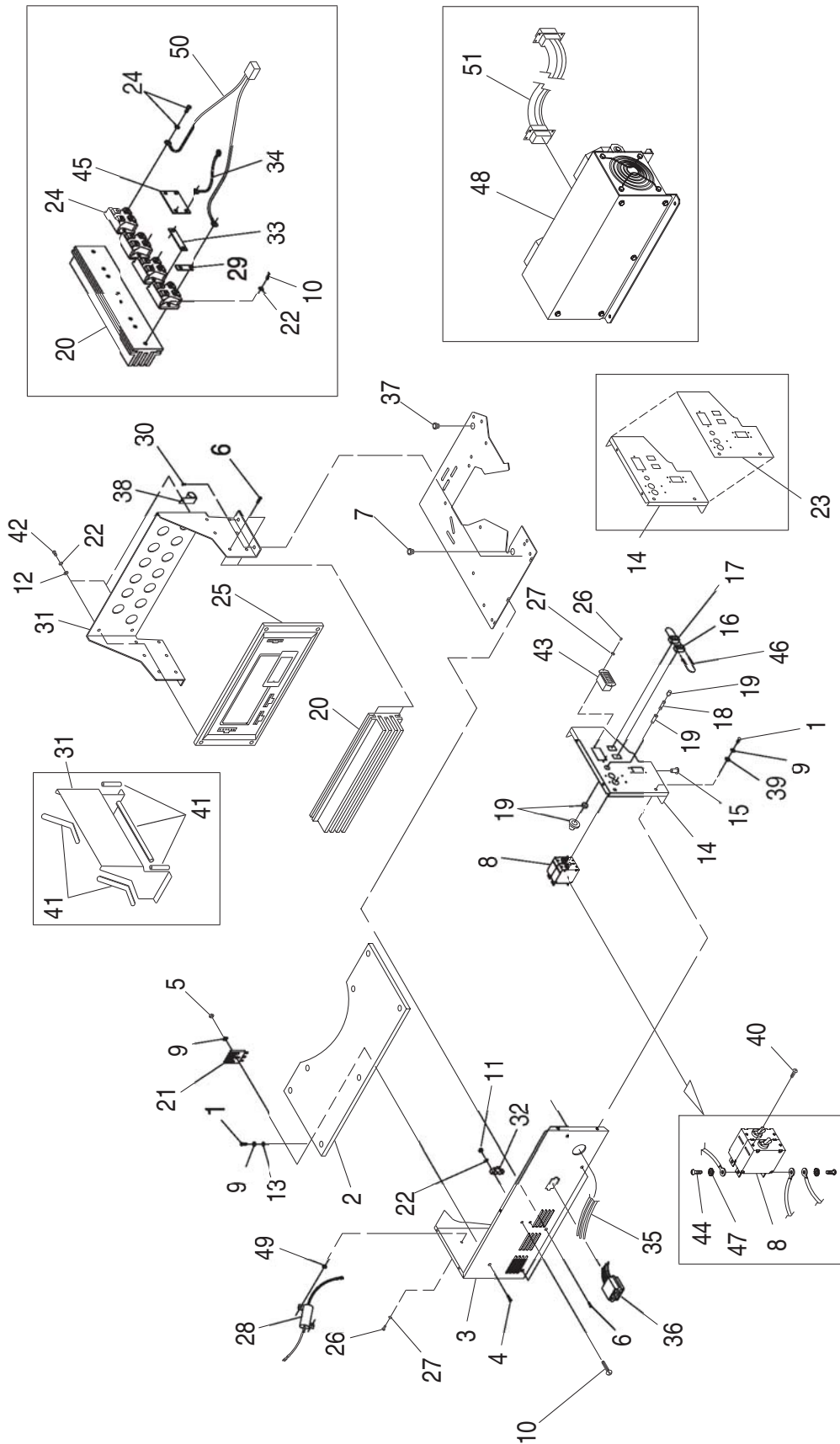
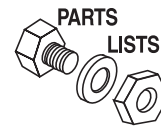


Section 6 – Exploded Views and Parts Lists

IMPACT-36 plus II Recreational Vehicle Generator
Control Panel – Drawing No. 0E7560

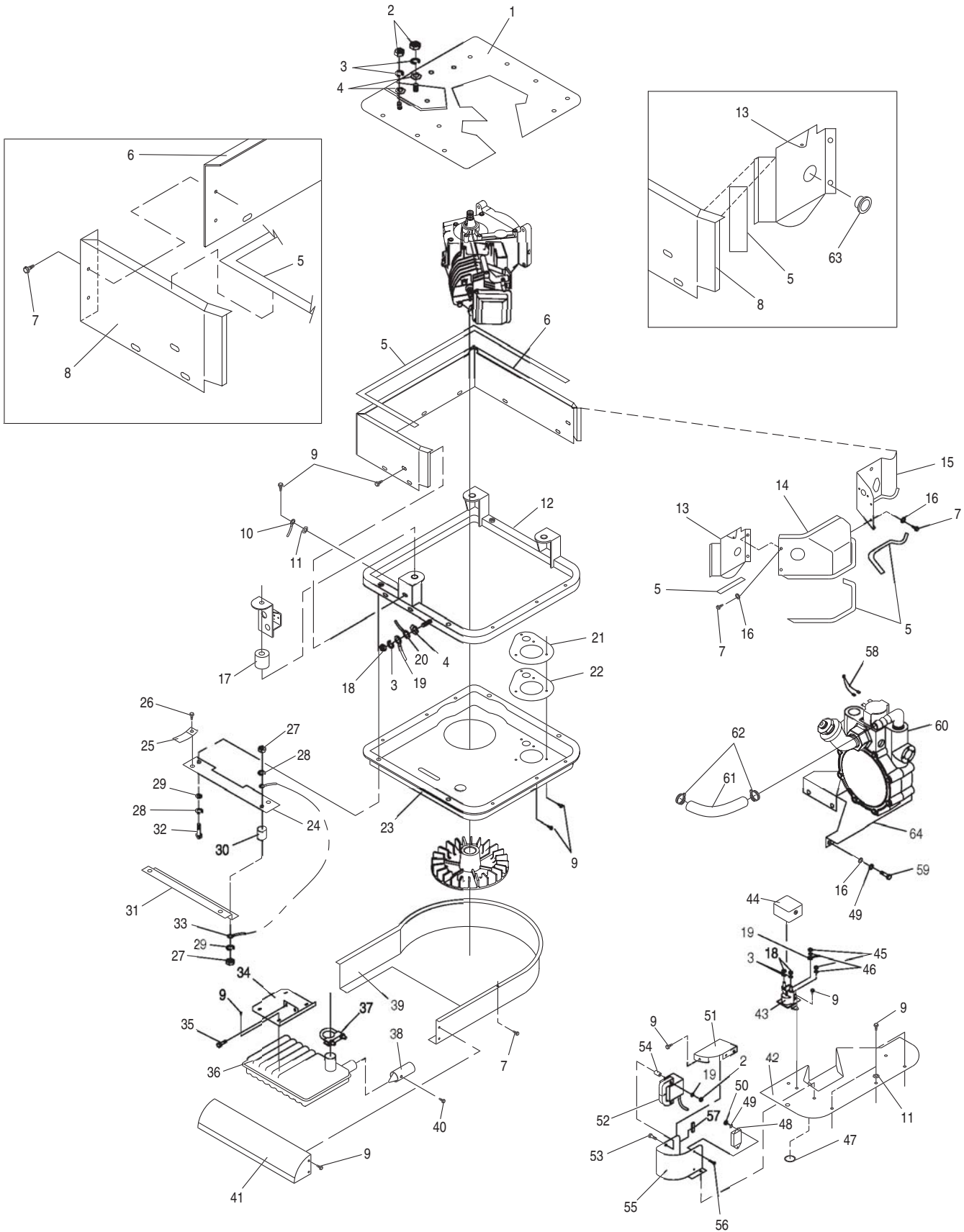


Section 6 – Exploded Views and Parts Lists
IMPACT-36 plus II Recreational Vehicle Generator
Control Panel – Drawing No. 0E7560

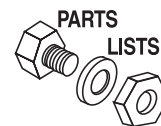


ITEM	PART NO.	QTY.	DESCRIPTION
1	091526	7	M5-0.8 X 12MM PHILLIPS PAN HD. MACH. SCR.
2	020093	1	BOX, CONTROL TOP
3	0E7556	1	BOX, CONTROL PANEL
4	075477	1	SCREW PPHM M5-0.8 X 20
5	051716	1	M5-0.8 HEX NUT
6	074908	8	TAPTITE M5- .8 X 10MM
7	023484M	1	SNAP BUSHING
8	0A8592	1	CIRCUIT BREAKER,15A.
9	049226	6	LOCK WASHER-M5
10	075476	10	M4-0.7 X 16MM
11	051715	2	M4-0.7 HEX NUT
12	022985	4	M4 FLAT WASHER
13	023897	7	M5 FLAT WASHER
14	0E7557	1	CONTROL PANEL, FRONT
15	030809	1	RUBBER GROMMET
16	087798	1	SWITCH, SPDT ROCKER
17	092113	1	SWITCH, SPDTMOM ROCKER
18	0A9611	1	FUSE, 7.5A. AGC
19	032300	1	FUSE HOLDER
20	0A6422	1	EXTRUSION, CONTROLLER
21	065795	1	RECTIFIER, BATTERY CHARGE
22	022264	14	LOCK WASHER-M4
23	0E7555	1	PANEL DECAL
24	096874	4	DIODE, DUAL 30A
25	0A6060	1	ASSEMBLY, PCB CCG
26	043181	4	PHMS M3-.05 X 10MM
27	043182	4	LOCK WASHER-M3
28	089744	1	RESISTOR, POWER 1 OHM
29	0A6423A	2	BUS BAR, OUTER
30	045756	4	TAPTITE M6- 1.0 X 10MM
31	086722	1	BRACKET, HEAT SINK-PCB
32	075210A	1	TERMINAL BLOCK
33	0A6423B	4	BUS BAR, INNER
34	0912970025	1	GROUND WIRE
35	0A6470	1	DC POWER HARNESS
36	091269A	1	REMOTE PANEL HARNESS
37	023484D	1	SNAP BUSHING
38	082121A	1	CLAMP, CONTROL PANEL HARNESS
39	051713	2	WASHER FLAT M5
40	025105	4	#6-32 X 1/4" PHILLIPS ROUND HD. MACH. SCREW
41	084867	3.5	RUBBER U-CHANNEL
42	051718	4	M4-0.7 X 10MM HEX HEAD CAPSCREW
43	0C1457	1	HOUR METER
44	036933	4	PPHMS 10-32 X 3/8" LG
45	0A6423C	1	BUS BAR, CENTER
46	029333A	1	BLACK TIE WRAP, 7" LG
47	023762	4	SHAKEPROOF EXT. #10
48	0D4885	1	INVERTER ASSEMBLY
49	051714	2	M3-0.5 NUT
50	0A6464	1	WIRE HARNESS-HEATSINK TO PCBI
51	0D4884	1	WIRE HARNESS
52	0D4882	1	HARNESS-PCBI TO PANEL (NOT SHOWN FOR CLARITY)
53	0A6700	1	HARNESS-HEATSINK TO TERM. BLOCK (NOT SHOWN FOR CLARITY)
54	0A9183	1	HARNESS, CONTROL PANEL (NOT SHOWN FOR CLARITY)

Section 6 – Exploded Views and Parts Lists
IMPACT-36 plus II Recreational Vehicle Generator
Sheet Metal – Drawing No. 0F1091

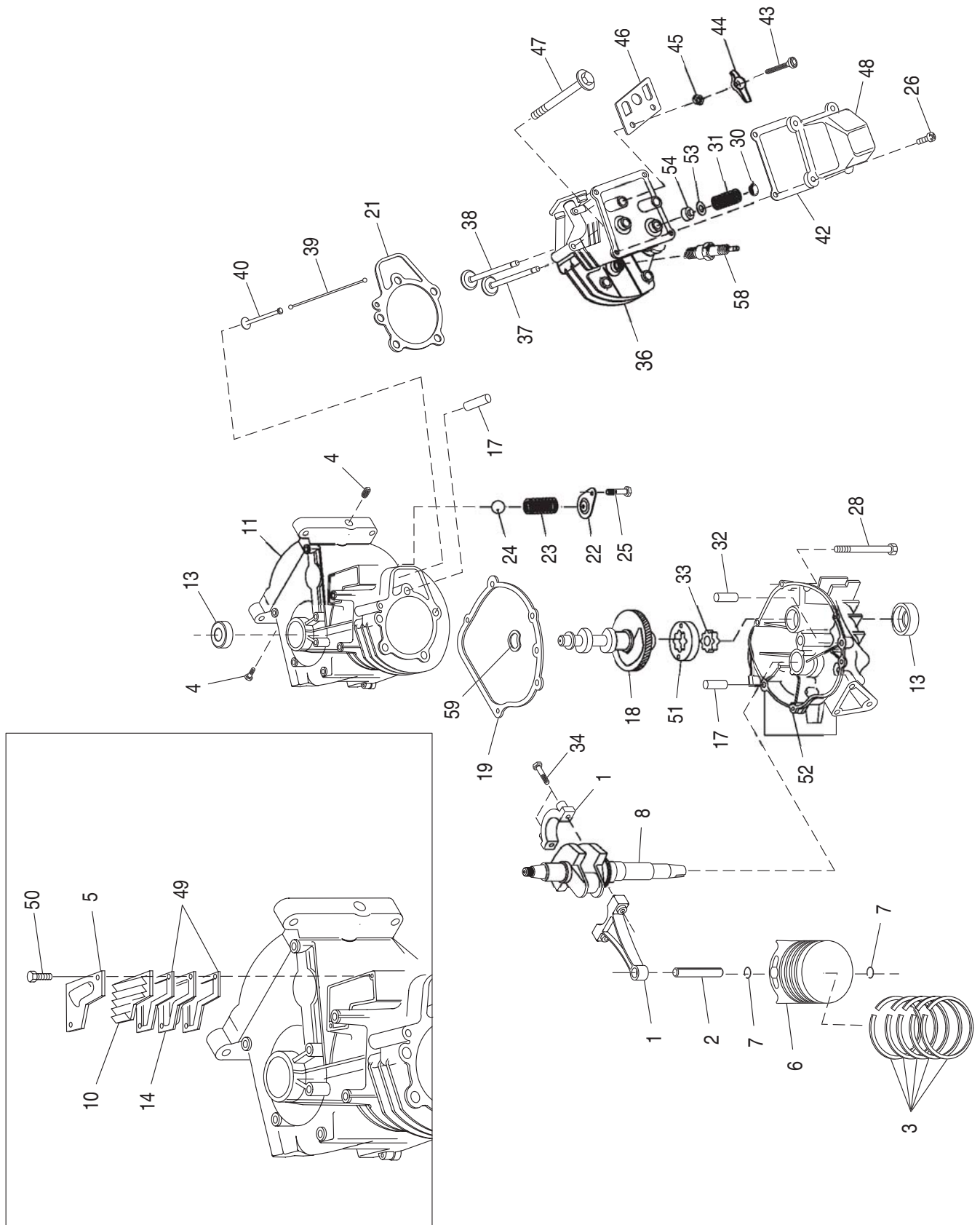


Section 6 – Exploded Views and Parts Lists
IMPACT-36 plus II Recreational Vehicle Generator
Sheet Metal – Drawing No. 0F1091



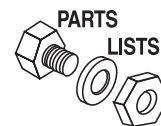
ITEM	PART NO.	QTY.	DESCRIPTION	ITEM	PART NO.	QTY.	DESCRIPTION
1	086705	1	PLATE, DIVIDER	34	092000	1	BRACKET, MUFFLER HANGER
2	049813	4	NUT HEX M6 X 1.0	35	079246	2	SCREW HHC M6-1.0 X 16mm W/ LOCK WASHER
3	022097	9	WASHER LOCK M6-1/4	36	086731A	1	ASSEMBLY, MUFFLER
4	0A1658	3	WASHER LOCK SPECIAL 1/4"	37	094670	1	CLAMP EXHAUST
5	086718	3.5'	SEAL, RUBBER EXTRUSION	38	089680	1	SCREEN, SPARK ARREST
6	0A3666	1	WRAPPER, BOX	39	086715	1	HOUSING, LOWER FAN
7	056893	32	SCREW CRIMPTITE #10-24 X 1/2"	40	056892	1	SCREW CRIMPTITE #10-24 X 3/8"
8	0A3638	1	PANEL, WRAPPER BOX	41	089471	1	DEFLECTOR, AIR OUT
9	074908	31	SCREW HHTT M5-0.8 X 10mm	42	086724	1	PLATE, BASE COVER
10	090141A	1	STRAP, EATON GROUND	43	086729	1	CONTACTOR, STARTER
11	0A8475	2	SPECIAL LOCK WASHER #10	44	090518	1	BOOT, CONTACTOR
12	0C3296	1	FRAME ASSEMBLY	45	022471	2	NUT HEX #8-32
13	086727	1	SKIRT, SPARK PLUG SIDE	46	022264	2	WASHER LOCK #8-M4
14	086671	1	COVER, ROCKER COVER	47	089045	1	SEAL, WASH EXHAUST PIPE
15	086726	1	COVER, CARB. BAFFLE	48	086711	1	MODULE, IGNITION
16	023897	7	WASHER FLAT #10	49	049226	5	WASHER LOCK M5
17	038353	3	VIBRATION MOUNT	50	051716	2	NUT HEX M5-0.8
18	022127	5	NUT HEX 1/4"-20	51	0A9196	1	COVER, IGNITION BRACKET
19	0912970071	1	STARTER CONTACTOR GROUND WIRE	52	089049B	1	ASSEMBLY, IGNITION COIL
20	0742600103	1	GROUND STRAP, UNIT	53	049721	2	SCREW HHC M6-1.0 X 35mm
21	090537	1	RETAINER, SEAL OIL	54	089047	2	SPACER, IGNITION COIL
22	089048	1	SEAL, OIL FILTER HOLE	55	0A9172	1	BRACKET, IGNITION SYSTEM
23	086719	1	PAN, BELLY	56	091526	2	SCREW PPHM M5-0.8 X 12mm
24	0A3667	2	MOUNTING BRACKET	57	084867	.5	RUBBER "U" CHANNEL
25	0A7213	1	TAG, BOLT REMOVAL	58	0A9031	1	WIRE ASSEMBLY, BLOCKING DIODE
26	079119	1	SCREW HHTT 1/4"-20 X 1-1/4"	59	050830	3	SCREW HHC M5-0.8 X 40mm
27	045771	8	NUT HEX M8-1.25	60	-	1	REGULATOR ASSEMBLY (SEE E.V. OF1092)
28	022129	12	WASHER LOCK M8-5/16	61	047290	1	HOSE-3/8" I.D. x 11" LONG
29	022145	4	WASHER FLAT 5/16-M8	62	0C7649	1	CLAMP HOSE 0.38"-0.87"
30	066443B	4	VIBRATION MOUNT	63	023484D	1	SNAP BUSHING
31	0A3764	2	CUSTOMER MOUNTING BRACKET	64	0E8245	1	BRACKET, REGULATOR MOUNT
32	039414	4	SCREW HHC M8-1.25 X 35mm				
33	020668	2	EARTHING STRAP				

Section 6 – Exploded Views and Parts Lists
IMPACT-36 plus II Recreational Vehicle Generator
GN 220 RV Long Block – Drawing No. 0A6202-H



Section 6 – Exploded Views and Parts Lists

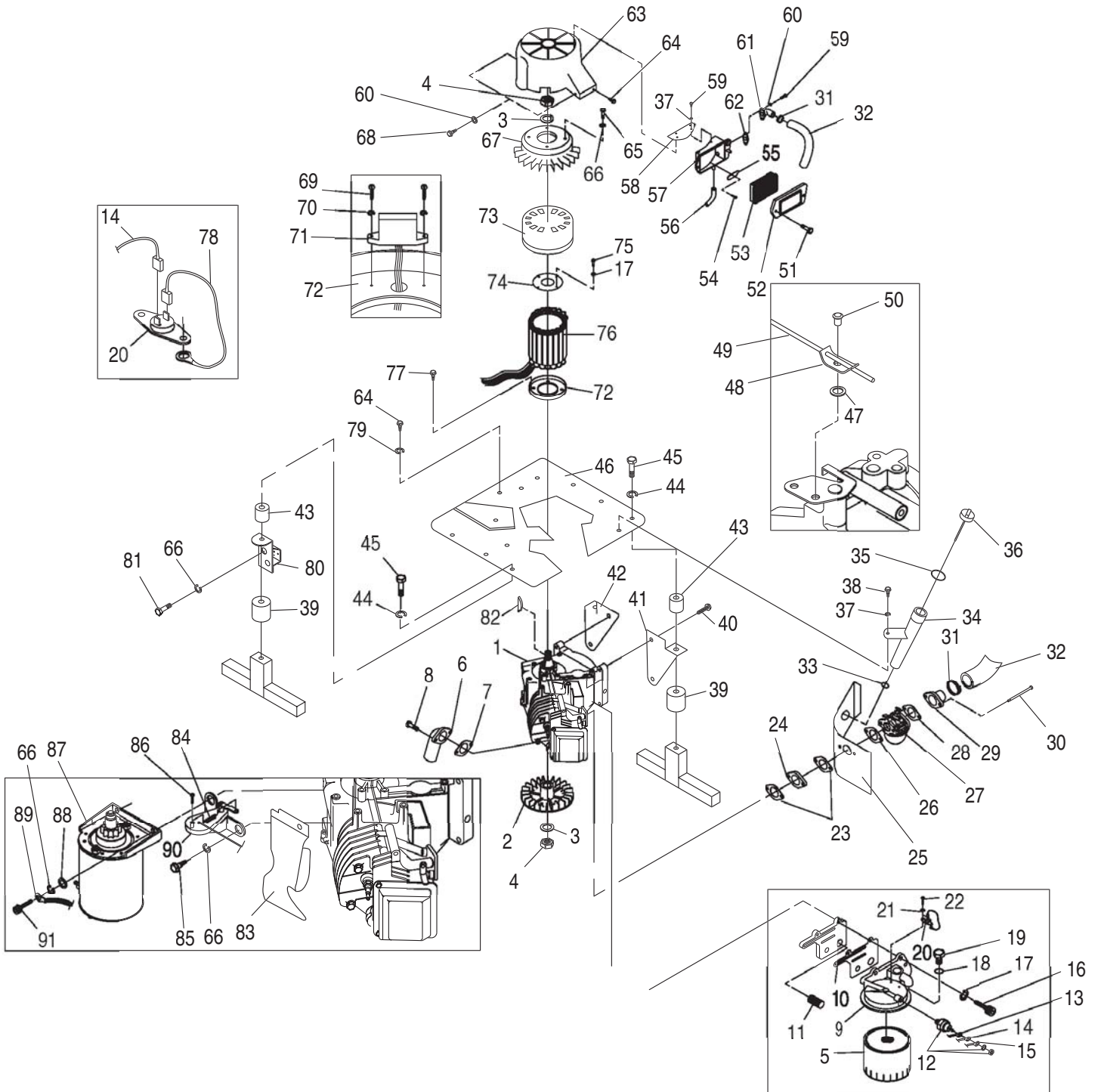
IMPACT-36 plus II Recreational Vehicle Generator GN 220 RV Long Block – Drawing No. 0A6202-H



ITEM	PART NO.	QTY.	DESCRIPTION
1	078621	1	ASSY, CONNECTING ROD
2	076389	1	PISTON PIN
3	088411	1	PISTON RING SET
4	072657A	2	PLUG, 1/4 NPTF PIPE
5	077176	1	COVER, BREATHER
6	088057	1	PISTON, DIA 75
7	076390	2	RING, PIN RETAINER
8	083379A	1	ASSY, C'SHFT CCG TPR
10	089923	1	SPRTR, OIL BREATHER
11	089213G	1	CRNKCASE,SUBASY W/PLUG GN220RV
13	0E3811	2	SEAL, D 28 X 41.47 VITON OIL
14	090604	1	ASSY, BREATHER CUP
17	078699B	3	SLEEVE SEAMED DOWEL 12 DIA.
18	0A9878	1	CAMSHAFT ASSY
19	089096	1	GASKET,C'CASE
21	0A8822	1	GASKET, CYL. HEAD
22	078691	1	COVER OIL PRES RELIEF
23	0A5772	1	SPRING,OIL RELIF 220
24	0A5776	1	BALL,DIA 11/32 PRELF
25	074908	1	SCREW HHTT M5-0.8 X 10 BP
26	078606	4	SCREW & LW M6-1 X 12
28	0D2414	6	SCREW HHFC M8-1.25 X 35
30	0C3733	2	RETAINER, VALVE
31	0C4390	2	SPRING, VALVE
32	088590	1	DOWEL DIA 12 X 18L
33	083152	1	GEROTER, INNER 6/5
34	076381	2	BOLT, CON ROD
36	021705B	1	ASSY,CYL HD GDS&STS
37	0C3590	1	VALVE, EXHAUST
38	0C3591	1	VALVE, INTAKE
39	0D9853A	2	PUSHROD 145.76
40	083235	2	TAPPET, DIA 7.5
42	0C8754	1	GASKET, VALVE COVER
43	077161	2	STUD, PIVOT BALL
44	077160	2	ARM, ROCKER, GN191
45	076307	2	NUT, JAM (ROCKR ARM)
46	088403	1	PLATE,PUSHROD GUIDE
47	077168	5	HEADBOLT M8 X 56 MM
48	088413B	1	COVER ROCKER W/OUT BREATHER
49	078629	2	GASKET, BREATHER
50	090388	2	SCREW HHTT M6-1.0 X 12 YC
51	083153	1	GEROTER, OUTER 6/5
52	092977	1	ASSY,OIL SUMP 220RV
53	084186	2	WEAR WSHER,VLV SPRNG
54	088156	1	SEAL,VALVE STEM 6.0
58	072347	1	SPARK PLUG (00940 ONLY)
	0E7585	1	SPARK PLUG (00941 ONLY)
59	099922	1	WASHER,SPRING

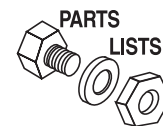
Section 6 – Exploded Views and Parts Lists

**IMPACT-36 plus II Recreational Vehicle Generator
Generator – Drawing No. 0F1134**

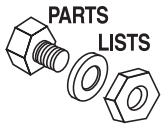


Section 6 – Exploded Views and Parts Lists

IMPACT-36 plus II Recreational Vehicle Generator Generator – Drawing No. 0F1134

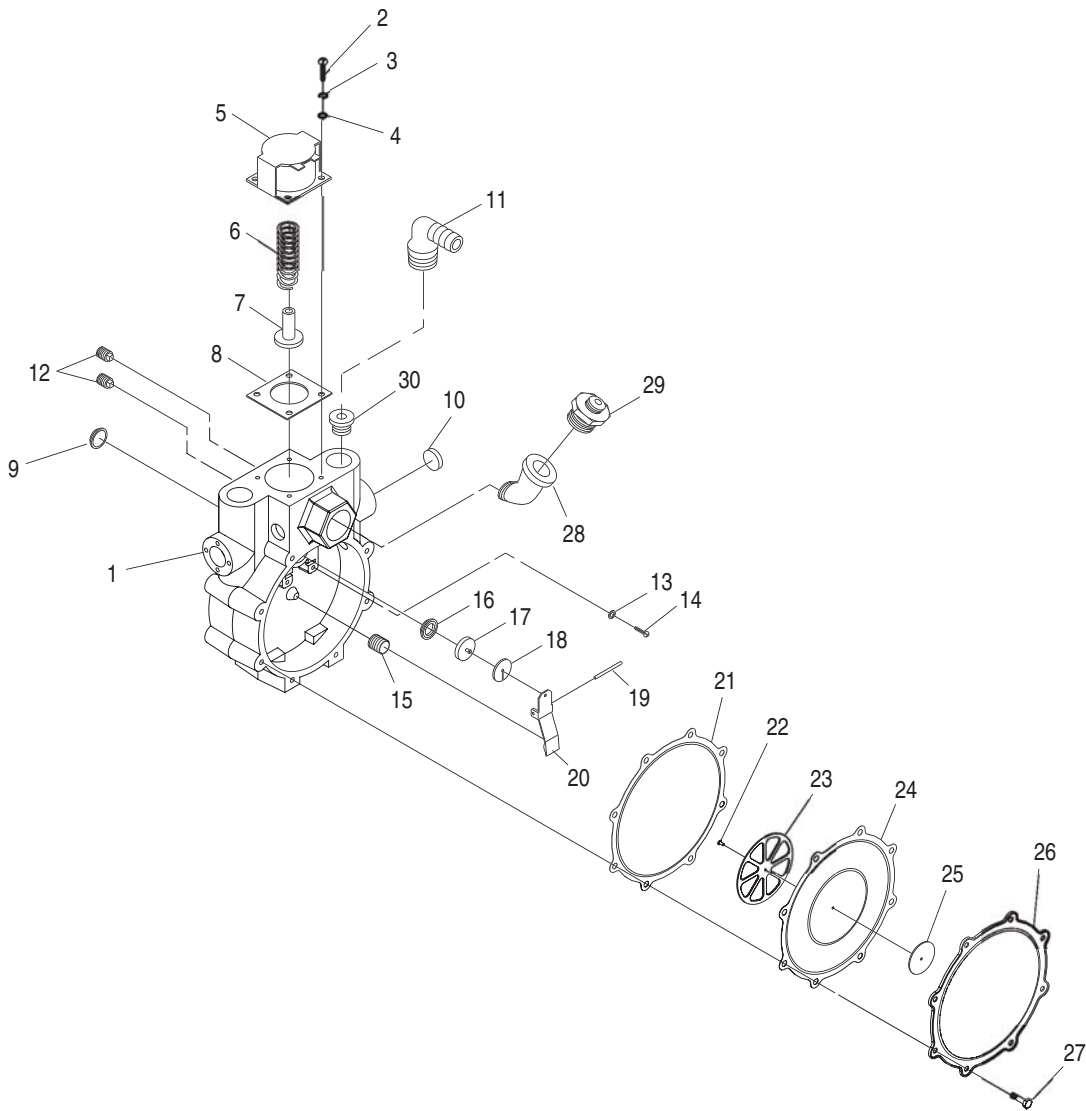


ITEM	PART NO.	QTY.	DESCRIPTION	ITEM	PART NO.	QTY.	DESCRIPTION
1	0A2467	1	ENGINE, LONG BLOCK	46	086705	1	PLATE, DIVIDER
2	094583	1	FLYWHEEL, FAN	47	090192	1	WASHER, CARBURETOR
3	083312	2	WASHER, CONICAL	48	089477	1	CLIP, ADJUSTMENT
4	081810	2	NUT HEX M16-1.5	49	086706	1	ROD, THROTTLE CONTROL
5	070185B	1	FILTER, OIL	50	089478	1	SNAP, RETAINING
6	086730	1	TUBE, EXHAUST OUTLET	51	078609	2	BOLT, AIR CLEANER COVER
7	089476	1	GASKET, EXHAUST	52	086674	1	COVER, AIR BOX
8	040976	2	SCREW SHC M8-1.25 X 20mm	53	078601	1	ELEMENT, AIR FILTER
9	0D2446	1	ADAPTOR, OIL FILTER	54	059635	1	PLASTITE SC #8 X 0.37"
10	087478	1	GASKET, OIL FILTER ADAPTOR	55	090613	1	COVER, BREATHER CANAL
11	086714	1	SCREEN, OIL PICK-UP	56	089062A	1	HOSE, BREATHER
12	0A8584	1	10 PSI OIL PRESSURE SWITCH	57	086673	1	BASE, AIR BOX
13	0912970071	1	GROUND WIRE (PRESSURE SWITCH)	58	090021	1	BRACKET, AIR CLEANER SUPPORT
14	0912970003	1	TEMP. SWITCH WIRE	59	049815	8	SCREW HHC M5-0.8 X 16mm
15	0912970005	1	OIL PRESSURE SWITCH WIRE	60	023897	6	WASHER FLAT #10
16	097962	4	SCREW SHC M6-1.0 X 25mm	61	087993	1	ELBOW, AIR CLEANER OUTLET
17	022097	8	WASHER LOCK M6-1/4"	62	090536	1	GASKET, AIR CLEANER OUTLET
18	0C2908	1	GASKET, OIL DRAIN PLUG	63	094665	1	HOUSING, FAN-UPPER
19	052617	1	SCREW HHC M12-1.75 X 20mm	64	045756	3	SCREW HHTT M6-1.0 X 10mm
20	094090	1	SWITCH, THERMAL OIL TEMP.	65	042907	3	SCREW HHC M8-1.25 X 16mm
21	043182	2	WASHER LOCK M3	66	022129	10	WASHER LOCK M8-5/16"
22	0C1085	2	SCREW PPHM M3-0.5 X 8mm	67	093859	1	FAN, GENERATOR
23	090051	2	GASKET, CARBURETOR / SPACER / HEAD	68	074908	3	SCREW HHTT M5-0.8 X 10mm
24	086708	1	CARBURETOR SPACER	69	055822	2	SCREW PHM M4-0.7 X 8mm
25	086726	1	SKIRT, BAFFLE	70	022264	2	WASHER LOCK #8-M4
26	078631	1	GASKET, CARBURETOR / SKIRT	71	086697	1	ASSEMBLY IGNITION SENSOR
27	0A2774B	1	CARBURETOR ASSEMBLY	72	086692	1	ADAPTOR, STATOR
28	096459	1	GASKET, CARBURETOR/INLET ADAPTOR	73	0A5892	1	ASSEMBLY, MAGNET HOUSING
29	086709	1	ADAPTOR, CARBURETOR INLET	74	080934	1	RETAINING RING, STATOR
30	089050	2	PPHMS, #M6-1 X 90mm LONG	75	066449C	4	BOLT, M6-1.0 X 80mm LONG
31	035586	2	HOSE CLAMP-BAND #20	76	0D4883	1	ASSEMBLY STATOR
32	0F1225	1	HOSE, CARBURETOR INLET	77	074906	4	SCREW HHTT M6-1.0 X 20mm
33	090072	1	O-RING .562" I.D.	78	0912970004	1	TEMP SWITCH GROUND WIRE
34	094637	1	OIL FILL TUBE	79	0A8475	2	LOCK WASH SPECIAL #10
35	090071	1	O-RING, 1.062" I.D.	80	096627	1	BRACKET, STARTER SIDE ENGINE MNT.
36	089263	1	ASSEMBLY, OIL FILL CAP & DIPSTICK	81	039253	3	SCREW HHC M8-1.25 X 20mm
37	049226	4	WASHER LOCK M5	82	082774	1	WOODRUFF KEY-4 x 19MM
38	056893	1	SCREW CRIMPTITE #10-24 X 1/2"	83	092800	1	WRAPPER, ENGINE TOP
39	038353	3	RUBBER MOUNTS	84	088905	1	EXTENSION SPRING
40	059637	4	SCREW HHTT 3/8"-16 X 3/4"	85	083512	1	SCREW HHTT M8-1.2 X 16mm
41	086701	1	BRACKET, ENGINE MOUNT FRONT	86	059636	1	SCREW PPH #4 X 0.37"
42	086702	1	BRACKET, ENGINE MOUNT REAR	87	0D4408	1	STARTER MOTOR
43	086704	3	SPACER, ENGINE MOUNT	88	022145	2	WASHER FLAT 5/16"-M8
44	022237	3	WASHER LOCK 3/8"	89	0912970002	1	STARTER WIRE
45	022511	3	SCREW HHC 3/8"-16 X 1-1/4"	90	092059	1	STEPPER MOTOR SPEED CONTROL
				91	049821	2	SCREW SHC M8-1.25 X 30mm



Section 6 – Exploded Views and Parts Lists

IMPACT-36 plus II Recreational Vehicle Generator LP Regulator – Drawing No. 0F1092-A



ITEM	PART NO.	QTY.	DESCRIPTION	ITEM	PART NO.	QTY.	DESCRIPTION
1	0D5694	1	CASTING, TWIN REGULATOR HOUSING	15	0C5764A	1	SPRING, REGULATOR 45N/M 29MM
2	075475	4	SCREW PPHM M4-0.7 X 10	16	0C4643A	1	INLET, TWIN REG 11.11 DIA.
3	022264	4	WASHER LOCK #8-M4	17	0C6066	1	SEAL, INLET REGULATOR
4	043180	4	WASHER FLAT M4	18	0C5968	1	SUPPORT, INLET SEAL
5	0F3154	1	SOLENOID COIL, 12VDC	19	0C5759	1	PIN, PIVOT ARM
6	0C6070	1	SPRING-SOLENOID PLUNGER	20	0C5761	1	LEVER, REGULATOR
7	0C4680	1	PLUNGER LP REG. ASSY	21	0C6069	1	GASKET, DIAPHRAGM
8	0C4647	1	GASKET, SOLENOID	22	0C6731	1	RIVET .118 X .125 ALUMINUM
9	0C4643	1	INLET, TWIN REGULATOR NO HOLE	23	0C6067	1	SUPPORT, DIAPHRAGM
10	0D3973	1	PLUG, EXPANSION 16MM TWINREG	24	0C4706	1	DIAPHRAGM, TWIN REGULATOR
11	0D7023	1	BARBED ELBOW 90 1/2"NPT X 3/8" HOSE	25	0C6068	1	CAP, DIAPHRAGM SUPPORT
12	072683A	2	PLUG 1/8" NPTF PIPE	26	0C5762	1	COVER, TWIN REGULATOR
13	0D3308	2	WASHER FLAT 3.2MM ID X 10MM OD	27	045764	8	SCREW HHTT M4-0.7 X 8 BP
14	070728	2	SCREW PFILHM M3-0.5 X 5	28	025425	1	ELBOW 45D STREET 3/4" NPT
				29	0E4170	1	CONNECTION 3/4"NPT - 3/8" 45D
				30	0C5760	1	JET LP GN220 ENGINE