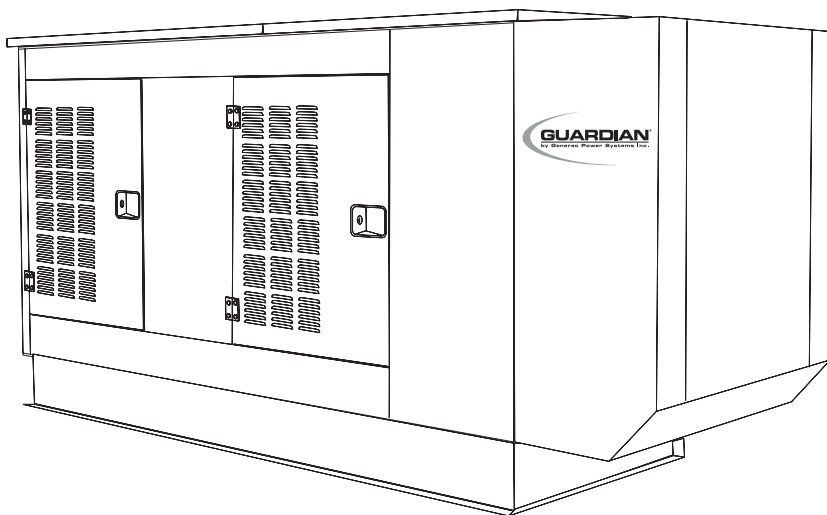




Owner's Manual

Liquid-cooled, Prepackaged
Standby Generators

Models: 0043733, 0043734
& 0043735
(40 kW/Single-phase w/
200 Amp Transfer
Switch)



0046262, 0046263
& 0046264
(40 kW/Single-phase w/
200 Amp Transfer
Switch California
Emissions)

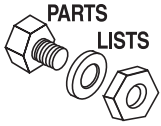
⚠ Not intended for use in critical life support applications. ⚠

— ⚠ CAUTION ⚠ —

**ONLY QUALIFIED ELECTRICIANS OR CONTRACTORS SHOULD ATTEMPT
INSTALLATION!!**

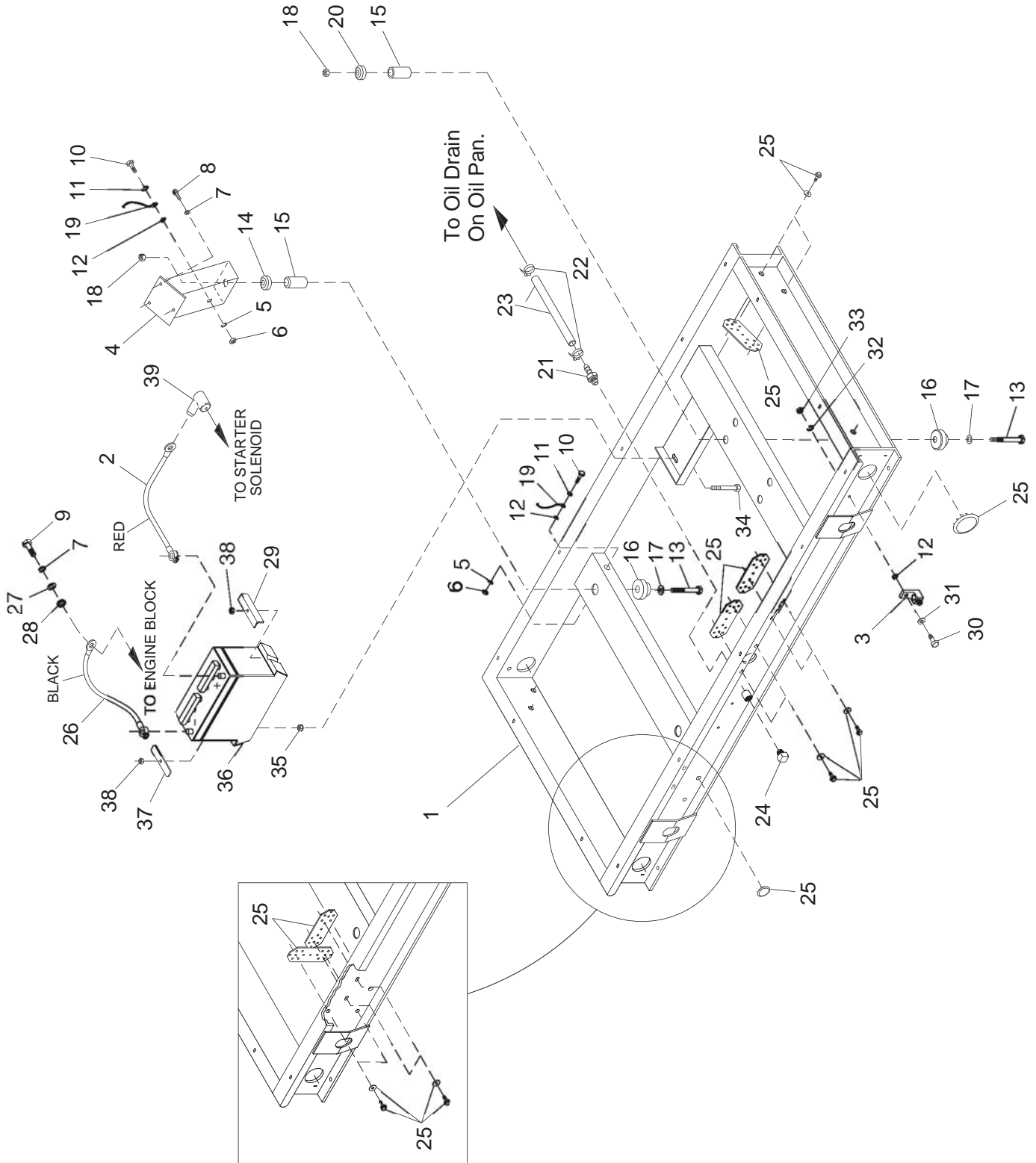
DEADLY EXHAUST FUMES. OUTDOOR INSTALLATION ONLY!

This manual should remain with the unit.



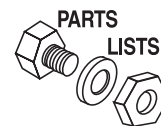
Section 7 – Exploded Views and Parts Lists

Guardian Liquid-cooled 40 kW Generators
Mounting Base - Drawing No. 0E2384-A

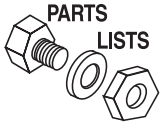


Section 7 – Exploded Views and Parts Lists

Guardian Liquid-cooled 40 kW Generators Mounting Base - Drawing No. 0E2384-A

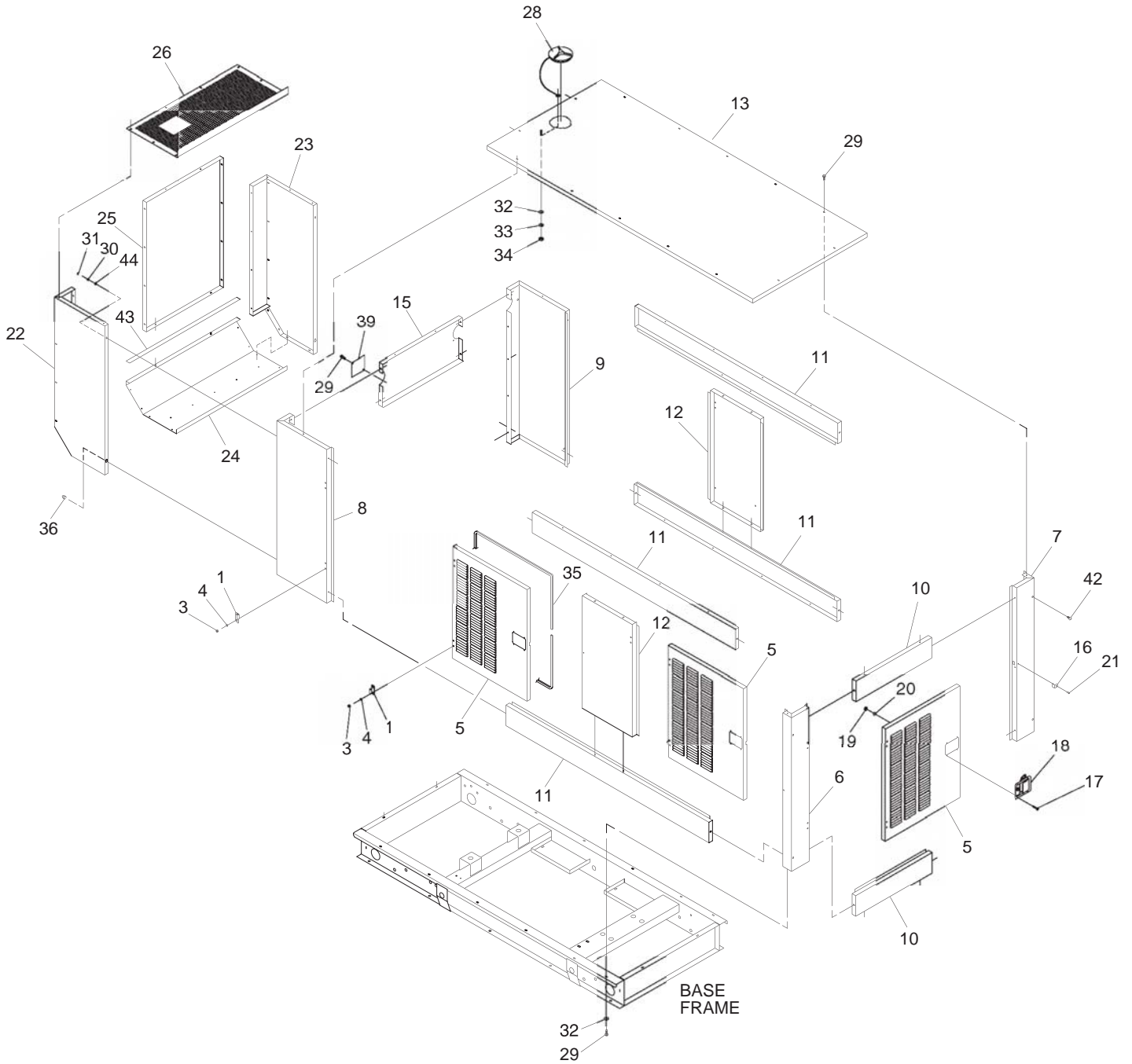


ITEM	PART NO.	QTY.	DESCRIPTION
1	0C3250	1	ASSEMBLY BASE MOUNTING (DIRECT-COUPLED)
2	038804T	1	CABLE BATT RED #1 X 31.00
3	055414	1	LUG SLDLSS #2-#8 X 17/64 CU
4	0A4084	2	MOUNT ENGINE (R&L)
5	022129	2	WASHER LOCK M8-5/16
6	045771	2	NUT HEX M8-1.25 G8 YEL CHR
7	022237	7	WASHER LOCK 3/8
8	029745	6	SCREW HHC 3/8-16 X 1 G5
9	023152	1	SCREW HHC 3/8-16 X 3/4 G5
10	043107	2	SCREW HHC M8-1.25 X 25 G8.8
11	022145	2	WASHER FLAT 5/16 ZINC
12	027482	3	WASHER SHAKEPROOF EXT 5/16 STL
13	055597	4	SCREW HHC M12-1.75 X 85 G8.8
14	052251	2	DAMPENER VIBRATION 40 BLUE
15	052257	4	SPACER .49 X .62 X 1.87 PWDR/ZINC
16	052252	4	DAMPENER VIBRATION
17	052259	4	WASHER FLAT M12
18	052860	4	NUT LOCKING M12-1.75
19	0536210098	1	ASSEMBLY GROUNDWIRE 10"/3/8
20	052251A	2	DAMPENER VIBRATION 50 WHITE
21	044118	1	BARBED STRAIGHT 1/2 NPT X 5/8
22	057823	2	CLAMP HOSE #10 .56 - 1.06
23	057448	1	HOSE 5/8 ID TYPE 3 SINGLE (11"LG)
24	024310	1	PLUG STD PIPE 1/2 STEEL SQ HD
25	0D4239	1	KIT VARMIT GUARD (FOR N/G, L/P VAPOR OR DUAL FUEL, N/G-LP LIQUID UNITS)
	0D4239A	1	KIT VARMIT GUARD (FOR L/P LIQUID UNITS)
	0D4239B	1	KIT VARMIT GUARD (FOR DUAL FUEL N/G-L/P VAPOR UNITS)
26	038805H	1	CABLE BATT BLK #1 X 23.00
27	022131	1	WASHER FLAT 3/8-M10 ZINC
28	025507	1	WASHER SHAKEPROOF EXT 7/16 STL
29	061902	1	HOLD DOWN BATTERY
30	022413	1	SCREW HHC 1/4-20 X 1 G5
31	022473	1	WASHER FLAT 1/4 ZINC
32	022097	1	WASHER LOCK M6-1/4
33	022127	1	NUT HEX 1/4-20 STEEL
34	0A4010	2	SCREW HHC M8-1.25 X 60 G8.8 FT
35	052858	2	NUT LOCK FL M8-1.25
36	058665	1	BATT 12VDC 90-AH 27F
37	059473	1	HOLD DOWN BATTERY
38	049820	2	NUT LOCK HEX M8-1.25 NYL INSRT
39	075763	1	BOOT BATTERY CABLE



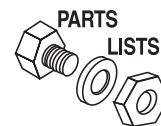
Section 7 – Exploded Views and Parts Lists

Guardian Liquid-cooled 40 kW Generators
Compartment - Drawing No. 0D8992



Section 7 – Exploded Views and Parts Lists

Guardian Liquid-cooled 40 kW Generators Compartment - Drawing No. 0D8992

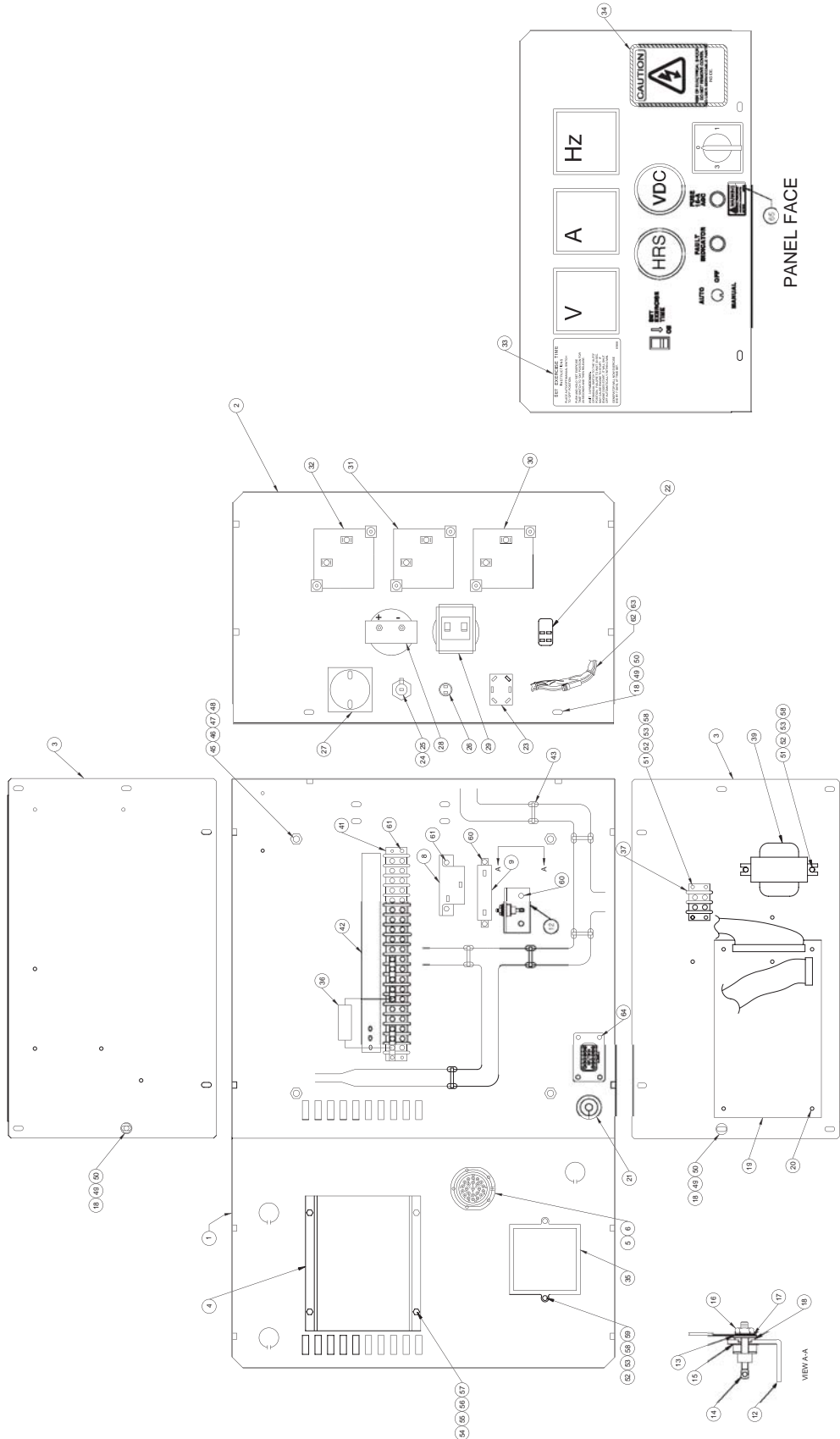


ITEM	PART NO.	QTY.	DESCRIPTION
1	0C3594	10	ASSEMBLY M6 HINGE
3	0A3359	40	SCREW BHSC M6-1.0 X 16 SS
4	0A3360	40	SHAKEPROOF INT M6 SS
5	0C2522 (A)	5	DOOR SMALL STD. WELD
6	0C2527 (A)	1	CORNER POST LH REAR
7	0C2528 (A)	1	CORNER POST RH REAR
8	0C2535 (A)	1	CORNER POST LH FRONT
9	0C2536 (A)	1	CORNER POST RH FRONT
10	0C2547 (A)	2	REAR BRACE TOP & BOTTOM
11	0C2550 (A)	4	SIDE BRACE TOP & BOTTOM
12	0C2555 (A)	2	SIDE SUPPORT
13	0C2560 (A)	1	ROOF ONE-PIECE WLDMT
15	0D7904 (A)	1	FRONT BRACE TOP
16	0C2633	5	PLATE STRIKER
17	0C6749	20	SCREW PPHM M4-0.7 X 12 SS
18	060069	5	PADDLE HANDLE LOCK
19	0C6748	20	NUT LOCK HEX M4-0.7 SS NYL INS
20	080490	20	WASHER FLAT #8 SS
21	087233	5	RIVET POP 3/16 X 1/4
22	0C4065 (A)	1	DUCT FRONT LH
23	0C4064 (A)	1	DUCT FRONT RH
24	0C4066 (A)	1	DUCT BOTTOM
25	0C4067 (A)	1	DUCT FRONT PANEL
26	0C4117 (A)	1	DUCT FRONT TOP RH
28	0C2634A	1	ASSEMBLY COVER ACCESS
29	0C2454	76	SCREW TH-FRM M6-1X16 N WA Z/JS
30	022129	2	WASHER LOCK M8-5/16
31	042907	2	SCREW HHC M8-1.25 X 16 G8.8
32	022473	15	WASHER FLAT M6-1/4 ZINC
33	022097	1	WASHER LOCK M6-1/4
34	022127	1	NUT HEX 1/4-20 STEEL
35	0A9881	49.1 FT.	GASKET DOOR RUBBER
36	0C3393	2	SCREW SHOULDER
39	0C3400 (A)	1	COVER EXHAUST HOLE
42	0C3397	4	FASTENER RATCHET
43	066760	39-3/8"	STRIP SEALANT 1/8 X 1
44	022145	2	WASHER FLAT 5/16 ZINC

OPTIONAL COMPARTMENT MATERIALS: ALL P/N'S WITH AN "A" SUFFIX INDICATE ALUMINUM MATERIAL OPTION.

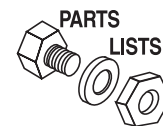
Section 7 – Exploded Views and Parts Lists

**(Model No. 0043733, 0043734 & 0043735) Guardian Liquid-cooled 40 kW Generator
Control Panel 4.3L – Drawing No. 0D4995-F**



Section 7 – Exploded Views and Parts Lists

**(Model No. 0043733, 0043734 & 0043735) Guardian Liquid-cooled 40 kW Generator
Control Panel 4.3L – Drawing No. 0D4995-F**

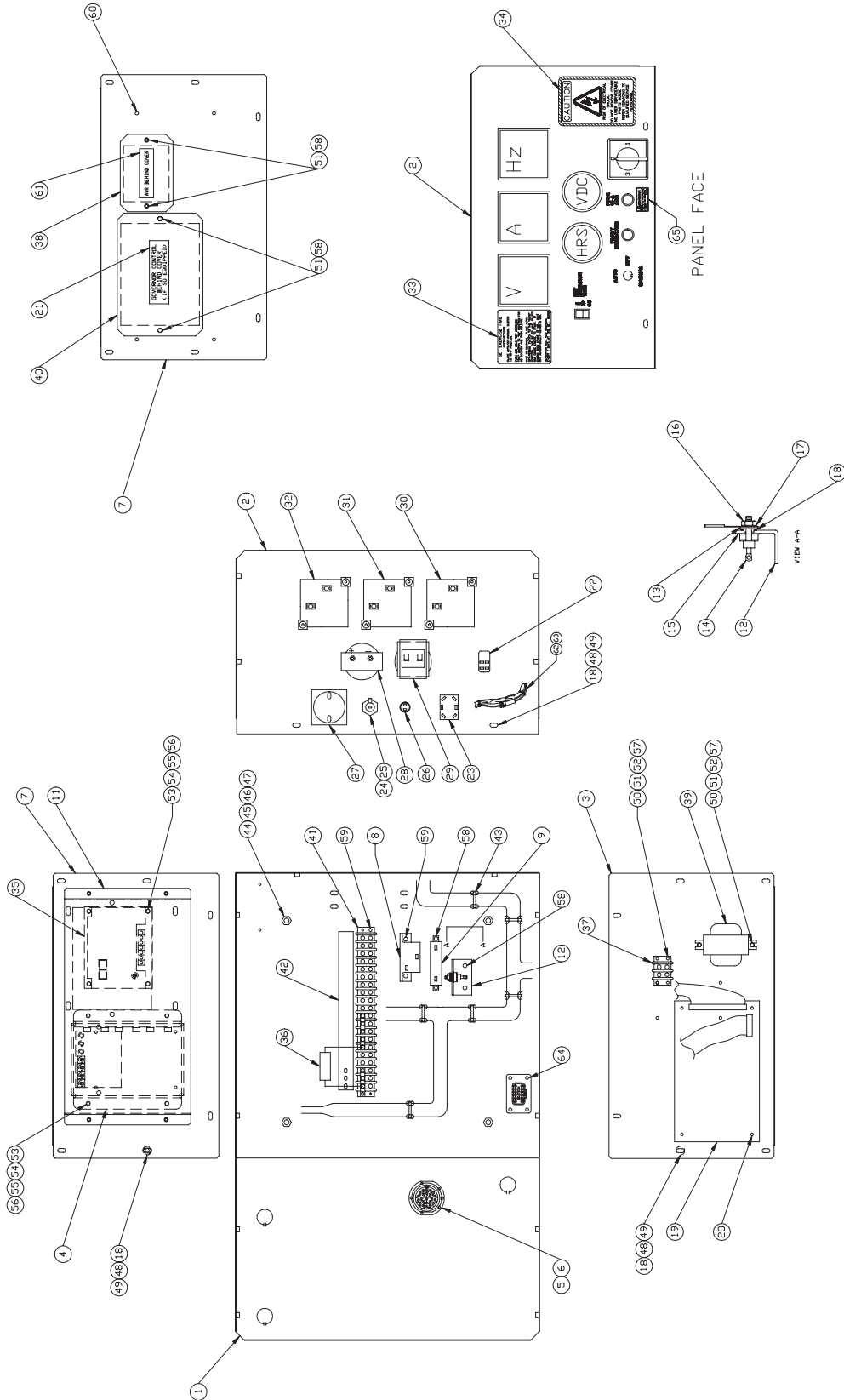


ITEM	PART NO.	QTY.	DESCRIPTION	ITEM	PART NO.	QTY.	DESCRIPTION
1	0D5488	1	PANEL BTM & BACK CONTROL	32	070042	1	FREQUENCY METER 240V 55-65HZ
			PANEL	33	081988	1	DECAL EXERCISE INFO
2	0D1521A	1	CONTROL PANEL, FRONT W/ SILK	34	0C1229	1	DECAL CUST CONN BOX
			SCREEN	35	098647	REF.	ASSY L.C. ELECT GOV
3	0D1522	2	PANEL,SIDE COVER CONTROL	36	0A3968	1	CAPACITOR FILTER ASY
			PANEL	37	048766	REF	BLOCK TERM 20A 2 X 6 X 1100V
4	067680	1	ASSY VOLTAGE REGULATOR 60HZ	39	083264	1	TFMR ASM,CMA 240/12V
5	0C8243	1	WASHER LOCK HDPDEUTSCH	41	057335	REF	BLOCK TERM 20A 20 X 6 X 1100V
6	0C8244	1	NUT, HDP DEUTSCH	42	076061	1	DECAL, TERM. STRIP
8	048467	1	CIRCT BRK 7 X 1 ETA 46-500-P	43	029333	6	TIE WRAP 7.4" X .19" NATL UL
9	057907	1	RES WW LUG 10R 10% 25W	45	040479	4	VIB MNT 1.0 X 1.0 X 1/4-20
10	064008	1	COVER CON PNL TOP (NOT SHOWN)	46	022507	4	SCREW HHC 1/4-20 X 1/2 G5
12	055444	1	HEATSINK	47	022127	4	NUT HEX 1/4-20 STEEL
13	030468	1	WASHER STEP NYLON .20	48	022097	4	WASHER LOCK M6-1/4
14	049939	1	RECTIFIER MSC 12A 600V 1N1206R	49	033121	14	SCREW HHC #10-32 X 1/2
15	070370	1	WASHER MICA .203	50	022152	14	WASHER LOCK #10
16	022158	1	NUT HEX #10-32 STEEL	51	036902	4	SCREW PPHM #6-32 X 1/2
17	023762	1	WASHER SHAKEPROOF EXT #10	52	022155	6	WASHER LOCK #6
			STL	53	022985	6	WASHER FLAT #6 ZINC
18	023897	15	WASHER FLAT #10 ZINC	54	036918	4	SCREW PPHM #8-32 X 1/2
19	076009A	1	PP LOGIC ASM 50/60HZ	55	022264	4	WASHER LOCK M4
20	040213	4	PCB SUPPORT SNAP-IN 1/4"	56	038150	4	WASHER FLAT #8 ZINC
21	027744	1	GROMMET 3/4 X 5/32 X 5/16	57	022471	4	NUT HEX #8-32 STEEL
22	082573	1	SWITCH ROCKER DPST 125V SPD	58	022188	6	NUT HEX #6-32 STEEL
23	076020	1	SWITCH TOG DPDT 15/10 SP	59	036908	2	SCREW PPHM #6-32 X 1-1/4
24	032300	1	HOLDER FUSE	60	0C2428	4	SCREW PHTT #6-32 X 1/2 ZYC
25	022676	1	FUSE 15A X AGC15	61	0C2323	4	SCREW PHTT #6-32 X 5/8 ZYC
26	064009	1	LIGHT 12VDC .02A LED RED PILOT	62*	0D5324	REF.	FUSE & HOLDER LITTEL 7.5A
27	061945	1	SWITCH SELECTOR 6A AMP/V	63*	0A9611	REF.	FUSE 7.5AXBK/AGC7.5NX W/22670
28	076037	1	VOLTMETER DC 8-18V	64	074908	1	SCREW HHTT M5-0.8 X 10 BP
29	070081	1	HOURMETER	65	0E3783	1	DECAL, WARNING REMOVE FUSE
30	070043	1	VOLTMETER AC 0-300				
31	070045	1	AMMETER AC 0-200				

* PART OF CONTROL PANEL WIRE HARNESS

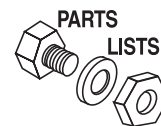
Section 7 – Exploded Views and Parts Lists

(Model No. 0046262, 0046263 & 0046264) Guardian Liquid-cooled 40 kW Generator Control Panel – Drawing No. 0D6978-C



Section 7 – Exploded Views and Parts Lists

**(Model No. 0046262, 0046263 & 0046264) Guardian Liquid-cooled 40 kW Generator
Control Panel – Drawing No. 0D6978-C**

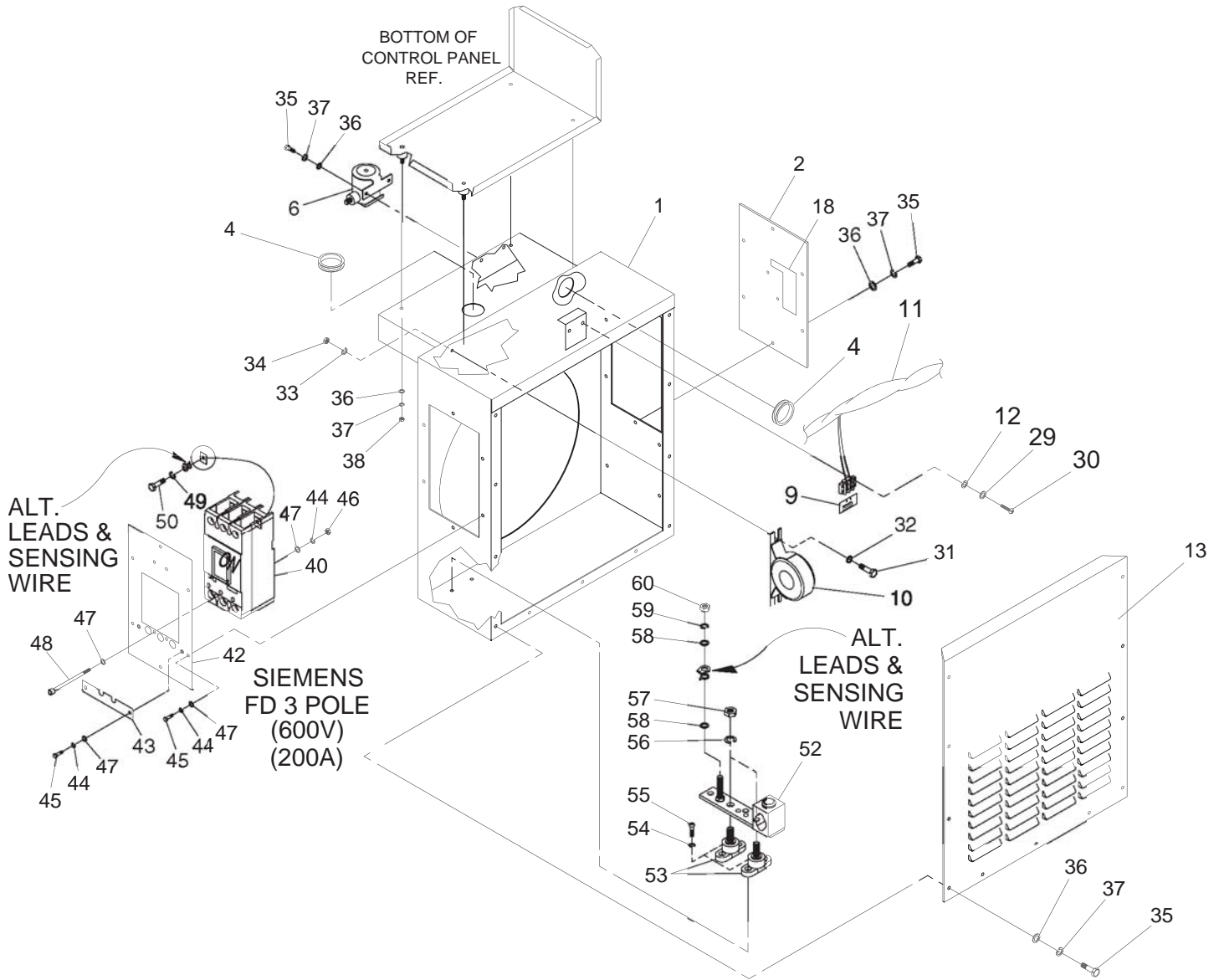


ITEM	PART NO.	QTY.	DESCRIPTION	ITEM	PART NO.	QTY.	DESCRIPTION
1	0D7397	1	PNL BTM & BACK CNTL PNL 04626	33	081988	1	DECAL EXERCISE INFO
2	0D1521A	1	CONTROL PANEL FRONT W/ SILK SCREEN	34	0C1229	1	DECAL CUST CONN BOX
3	0D1522	1	PANEL SIDE COVER CONTROL PANEL	35	0D3440	1	CONTROLLER, B-C #DPG-2103
4	067680	1	ASSY VOLTAGE REGULATOR 60HZ	36	0A3968	1	CAPACITOR FILTER ASY
5	0C8243	1	WASHER LOCK HDP DEUTSCH	37	048766	REF	BLOCK TERM 20A 2 X 6 X 1100V
6	0C8244	1	NUT, HDP DEUTSCH	38	0A1441B	1	COVER PLATE AVR
7	0A6321	1	PANEL LEFT SIDE E	39	083264	1	TFMR ASM,CMA 240/12V
8	048467	1	CIRCT BRK 7 X 1 ETA 46-500-P	40	0A1441C	1	COVER PLATE EGOV
9	057907	1	RES WW LUG 10R 10% 25W	41	057335	REF	BLOCK TERM 20A 20 X 6 X 1100V
10	064008	1	COVER CON PNL TOP (NOT SHOWN)	42	076061	1	DECAL TERM. STRIP
11	0E3550	1	CHASSIS, UNIVERSAL	43	029333	6	TIE WRAP 7.4" X .19" NATL UL
12	055444	1	HEATSINK	44	040479	4	VIB MNT 1.0 X 1.0 X 1/4-20
13	030468	1	WASHER STEP NYLON .20	45	022507	4	SCREW HHC 1/4-20 X 1/2 G5
14	049939	1	RECTIFIER MSC 12A 600V 1N1206R	46	022127	4	NUT HEX 1/4-20 STEEL
15	070370	1	WASHER MICA .203	47	022097	4	WASHER LOCK M6-1/4
16	022158	1	NUT HEX #10-32 STEEL	48	033121	14	SCREW HHC #10-32 X 1/2
17	023762	1	WASHER SHAKEPROOF EXT #10 STL	49	022152	14	WASHER LOCK #10
18	023897	15	WASHER FLAT #10 ZINC	50	036902	4	SCREW PPHM #6-32 X 1/2
19	076009A	1	PP LOGIC ASM 50/60HZ	51	022155	6	WASHER LOCK #6
20	040213	4	PCB SUPPORT SNAP-IN 1/4"	52	022985	8	WASHER FLAT #6 ZINC
21	0A3394	1	GROMMET 3/4 X 5/32 X 5/16	53	036918	8	SCREW PPHM #8-32 X 1/2
22	082573	1	SWITCH ROCKER DPST 125V SPD	54	022264	8	WASHER LOCK M4
23	076020	1	SWITCH TOG DPDT 15/10 SP	55	038150	8	WASHER FLAT #8 ZINC
24	032300	1	HOLDER FUSE	56	022471	8	NUT HEX #8-32 STEEL
25	022676	1	FUSE 15A X AGC15	57	022188	6	NUT HEX #6-32 STEEL
26	064009	1	LIGHT 12VDC .02A LED RED PILOT	58	0C2428	8	SCREW PHTT #6-32 X 1/2 ZYC
27	061945	1	SWITCH SELECTOR 6A AMP/V	59	0C2323	4	SCREW PHTT #6-32 X 5/8 ZYC
28	076037	1	VOLTMETER DC 8-18V	60	0A2284	4	SCREW SWAGE 8-32 X 1/2 Z/YC
29	070081	1	HOURMETER	61	0C1127	1	DECAL AVR COVER
30	070043	1	VOLTMETER AC 0-300	62*	0D5324	4	FUSE & HOLDER LITTEL 7.5A
31	070045	1	AMMETER AC 0-200	63*	0A9611	1	FUSE 7.5AXBK/AGC7.5NX W/22670
32	070042	1	FREQUENCY METER 240V 55-65HZ	64	074908	4	SCREW HHTT M5-0.8 X 10 BP
				65	0E3783	1	DECAL, WARNING REMOVE FUSE

* PART OF CONTROL PANEL WIRE HARNESS

Section 7 – Exploded Views and Parts Lists

**Guardian Liquid-cooled 40 kW Generators
Connection Box – Drawing No. 0D8848-B**

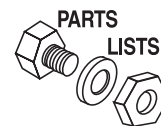


**RECOMMENDED TERMINAL TIGHTENING TORQUES
FOR CIRCUIT BREAKER AND NEUTRAL BLOCK**

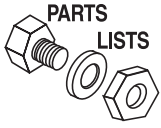
ITEM #	DESCRIPTION	RING TERMINALS FROM ALTERNATOR	FASTEN COMPRESSION LUG TO CIRCUIT BREAKER	STRIPPED END OF STRANDED CABLE TO COMPRESSION LUG
40	CIRCUIT BREAKER LINE SIDE	30 FT-LB	NA	NA
40	CIRCUIT BREAKER LOAD SIDE	NA	12.5 FT-LB	23 FT-LB
52	NEUTRAL BLOCK	19 FT-LB	NA	23 FT-LB

Section 7 – Exploded Views and Parts Lists

Guardian Liquid-cooled 40 kW Generators Connection Box – Drawing No. 0D8848-B

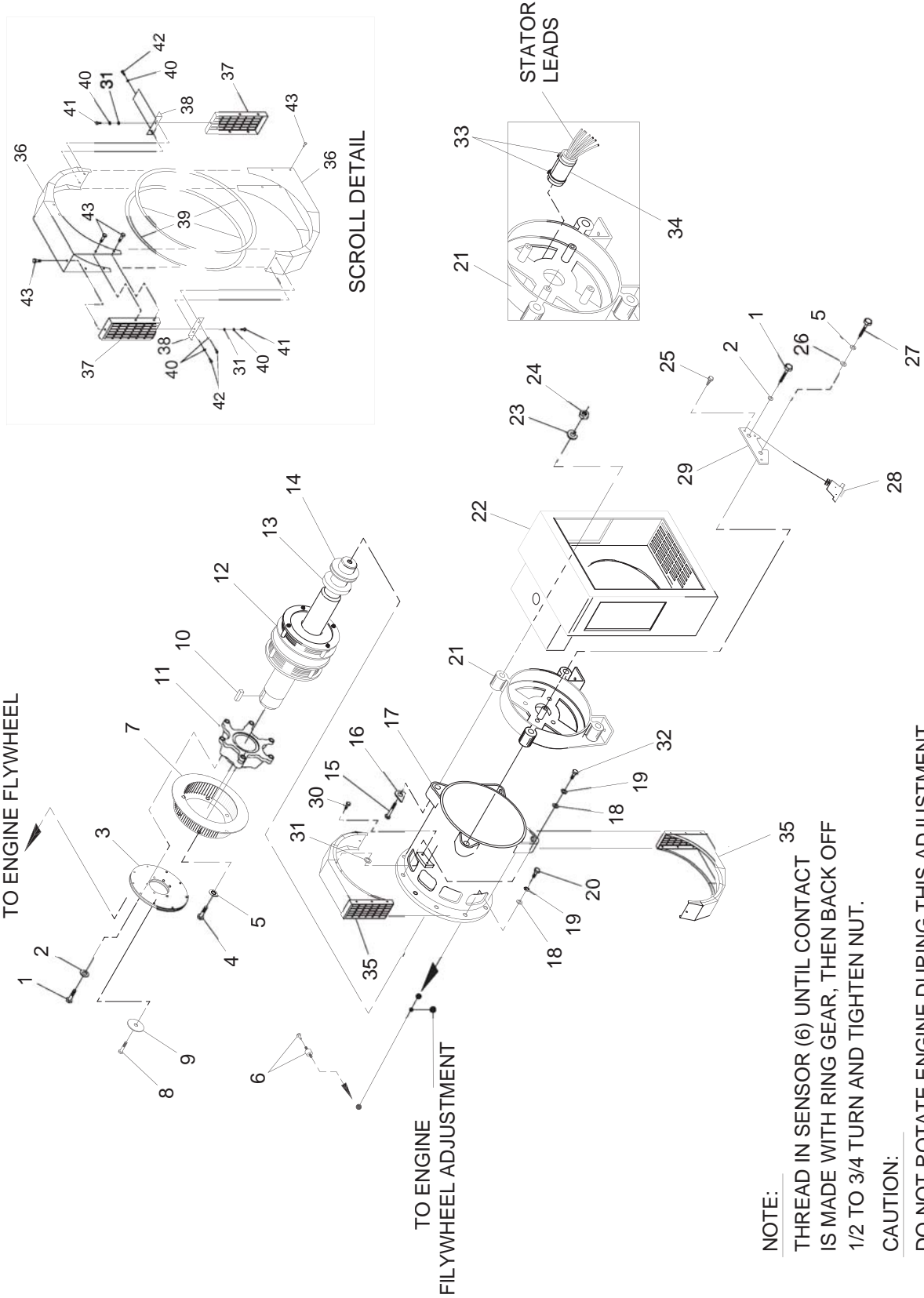


ITEM	PART NO.	QTY.	DESCRIPTION
1	068115	1	LOWER PANEL 15
2	0D5489	1	COVER LOWER CONNECTION BOX
4	023484N	2	BUSHING SNAP SB-2.5-31
6	056739	1	RELAY SOLENOID 12VDC PNL MNT
9	0D3388	1	DECAL REMOTE START CONNECTION
10	058710	2	TRANSFORMER 200A TO 5A 5VA
11	0D5492	1	HARNESS LOWER PANEL 4.3L GRDN
	(048766)	REF.	BLOCK TERM 20A 2 X 6 X 1100V
12	022985	2	WASHER FLAT #6 ZINC
13	068116	1	COVER LOWER PANEL 15
18	0D5840	1	DECAL CUSTOMER CONNECTN FOR TS
29	022264	2	WASHER LOCK M4
30	0C2212	2	SCREW PHTT M4-0.7 X 16 ZYC
31	022142	4	SCREW HHC 5/16-18 X 3/4 G5
32	022145	4	WASHER FLAT 5/16 ZINC
33	022129	4	WASHER LOCK M8-5/16
34	045771	4	NUT HEX M8-1.25 G8 YEL CHR
35	022287	19	SCREW HHC 1/4-20 X 3/4 G5
36	022473	23	WASHER FLAT 1/4 ZINC
37	022097	23	WASHER LOCK M6-1/4
38	022127	4	NUT HEX 1/4-20 STEEL
40	0D5574	1	CB 0200A 3P 600V S FD6 LL
42	0D5689	1	PLATE CB MOUNT S (FD) 390S
43	0D5693	1	COVER CB TERMINALS S (FD 3P)
44	022097	12	WASHER LOCK M6-1/4
45	022287	8	SCREW HHC 1/4-20 X 3/4 G5
46	022127	12	NUT HEX 1/4-20 STEEL
47	022473	4	WASHER FLAT 1/4 ZINC
48	081320	4	SCREW SHC 1/4-20 X 4.5 G8.8 NZ
49	022237	3	WASHER LOCK 3/8
50	048527	3	SCREW SHC 3/8-16 X 3/4 G5
52	0D5464B	1	NEUTRAL BLOCK 390/200-400A
53	057073	2	JUNCTION BLOCK 3/8-16
54	022152	4	WASHER LOCK #10
55	033530	4	SCREW PHM #10-32 X 5/8 CAD
56	022237	2	WASHER LOCK 3/8
57	022241	2	NUT HEX 3/8-16 STEEL
58	022145	2	WASHER FLAT 5/16 ZINC
59	022129	1	WASHER LOCK M8-5/16
60	045771	1	NUT HEX M8-1.25 G8 YEL CHR



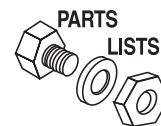
Section 7 – Exploded Views and Parts Lists

Guardian Liquid-cooled 40 kW Generators
Generator – Drawing No. 0D9490



Section 7 – Exploded Views and Parts Lists

Guardian Liquid-cooled 40 kW Generators Generator – Drawing No. 0D9490

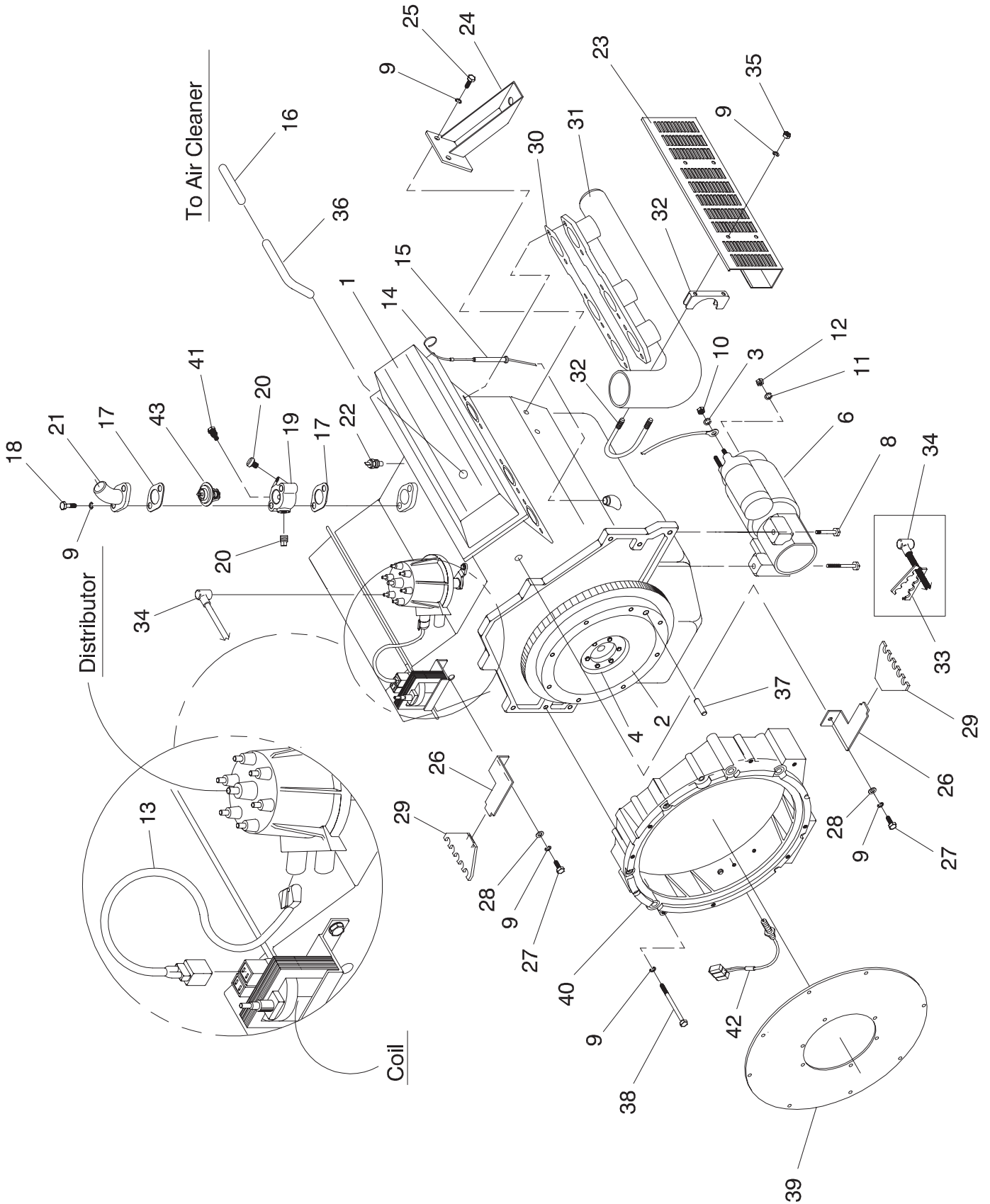


ITEM	PART NO.	QTY.	DESCRIPTION
1	051768	7	SCREW HHC M12-1.75 X 25 G8.8
2	051769	7	WASHER LOCK M12
3	0A8240	2	FLEX PLATE SAE10
4	039253	6	SCREW HHC M8-1.25 X 20 G8.8
5	022129	7	WASHER LOCK M8-5/16
6	082130D	1	ASSEMBLY MAG PICKUP 72"
7	0C4286	1	ASSEMBLY FAN W/PRESS DISC 10.75 X 3
8 *	0A2601	1	SCREW HHC M16-2.0 X 45 G8.8
9 *	0A2602	1	WASHER FLAT .688 ID X 3.25 OD
10 *	0A1138	1	KEY SQ 3/8 X 2-1/2 STEEL
11 *	021941	1	COUPLER 390 SAE
12	020808A	1	ROTOR 390 40 1P DIRECT
13 *	052624	1	BEARING BALL 6212 SEALED
14 *	070892	1	SLIP RING -MACHINED-
15	0A5580	4	SCREW HHC M14-2.0 X 140 G8.8
16	0A1633	4	WASHER 390 SAE ALT.
17	020729A	1	STATOR 390 40 AD2 SAE
18	022131	12	WASHER FLAT 3/8-M10 ZINC
19	022237	11	WASHER LOCK 3/8
20	022511	11	SCREW HHC 3/8-16 X 1-1/4 G5
21	068113	1	CARRIER REAR BEARING 15"
22	068115	1	LOWER PANEL 15
23	043123	4	WASHER LOCK M14
24	051779	4	NUT HEX M14-2.0 G8 YEL CHR
25	046852	1	SCREW HHTT #10-32 X 1/4 CZ
26	022145	1	WASHER FLAT 5/16 ZINC
27	039287	4	SCREW HHC M8-1.25 X 45 G8.8 FT
28	071641	1	BRUSH HOLDER ASSEMBLY
29	071639	1	HOLDER BRUSH SUPPORT
30	0A2110	2	SCREW SWAGE 1/4-20 X 1/2 Z/YC
31	022473	8	WASHER FLAT 1/4 ZINC
32	022746	1	SCREW HHC 3/8-16 X 1-3/4 G5
33	031980	2	TIE WRAP UL 14.6 X .14 NATL
34	083549	1	SLEEVE RUBBER
35	0A4089	1	ASSEMBLY SCROLL 390 SAE KIT 0A4089 PARTS
36	0A2491	2	SHROUD ALTERNATOR SHEET METAL
37	0A2497	2	SCREEN SHROUD SAE
38	0A2496	2	BRACKET TENSIONER SAE SCROLL
39	056326	8.4 FT	TRIM VINYL BLACK 1/8 GP
40	022097	6	WASHER LOCK M6-1/4
41	045757	2	SCREW HHC M6-1.0 X 25 G8.8
42	047411	4	SCREW HHC M6-1.0 X 16 G8.8
43	0A2110	12	SCREW SWAGE 1/4-20 X 1/2 Z/YC

* ROTOR REPLACEMENT PARTS

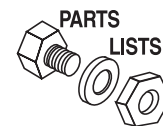
Section 7 – Exploded Views and Parts Lists

**Guardian Liquid-cooled 40 kW Generators
Engine – Drawing No. 0D6980-B**



Section 7 – Exploded Views and Parts Lists

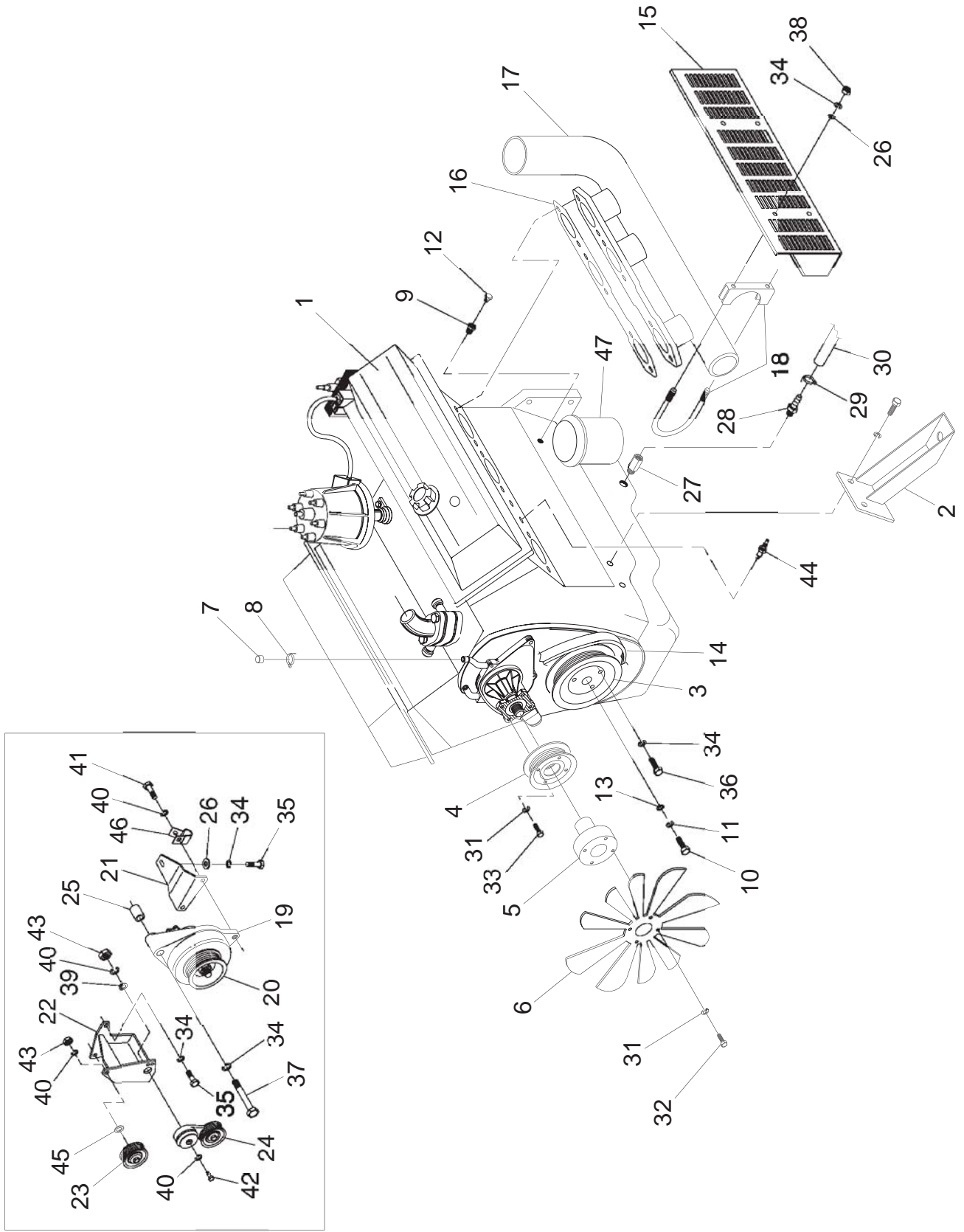
Guardian Liquid-cooled 40 kW Generators Engine – Drawing No. 0D6980-B



ITEM	PART NO.	QTY.	DESCRIPTION
1	0A9046	1	ENGINE 4.3L GM
2	0A9118A	1	FLYWHL 4.3L GM SAE
3	070022	1	WASHER STAR M12 EXT
4	0A6021	6	SCREW HHC 7/16-20 X 1 G8
6	059056A	1	STARTER 5.7L/7.4L GM
8	0A9050	2	BOLT STARTER 4.3L
9	022237	17	WASHER LOCK 3/8
10	045772	1	NUT HEX M10-1.5 G8 YEL CHR
11	049226	1	WASHER LOCK M5
12	051716	1	NUT HEX M5-0.8 G8 YEL CHR
13	0A4244	1	CONNECTOR COIL TO DISTRIBUTOR
14	0A4215	1	DIP STICK 4.3L GM
15	0A4231	1	TUBE DIP STICK 4.3L
16	059057	10"	HOSE 3/4 ID SAE-30R2
17	0A2440	2	GASKET THERMOSET
18	026568	2	SCREW HHC 3/8-16 X 2-3/4 G5
19	099729A	1	HOUSING THERM IMPREX
20	061012	1	PLUG STD PIPE 1/8 SOCKET HEAD
21	069939	1	HOUSING THERMOSTAT/WATER INLET
22	035606	1	SENSOR HI COOLANT SHUTDOWN
23	0A4930B	1	HEAT SHIELD RIGHT
24	0A4084	1	MOUNT ENGINE
25	029745	3	SCREW HHC 3/8-16 X 1 G5
26	044101	2	BRACKET SUPPORT SPARK PLUG WIRE
27	023152	2	SCREW HHC 3/8-16 X 3/4 G5
28	022131	2	WASHER FLAT 3/8-M10 ZINC
29	058030	2	RETAINER PLUG WIRES
30	0A4085	1	GASKET EXHAUST MANIFOLD
31	0A3928	1	MANIFOLD RIGHT EXHAUST
32	0C7947	2	BOLT U 3/8-16 X 2.50
33	057794	2	RETAINER SPARK PLUG WIRES
34	0A4277	1	WIRES SPARK PLUG 4.3L
35	022241	4	NUT HEX 3/8-16 STEEL
36	057795	1	CONNECTOR C/C VENT
37	048191	2	PIN DOWEL M10 X 24
38	032303	6	SCREW HHC 3/8-16 X 3-1/2 G5
39	0A3852	3	PLATE FLEX GM
40	098239	1	CASTING ADAPTOR
41	057522	1	SENSOR COOLANT LEVEL
42	0D2244M	1	ASSY MAGPICKUP (3/8-24 MALE) (MODEL 004626 ONLY)
43	075885	1	THERMOSTAT 195 DEG
*	0D6979	1	40KW GUARDIAN WIRE HARNESS (NOT SHOWN FOR MOD. 004626-0)
*	0A4308	1	HARNESS 4.3L STD WIRE (NOT SHOWN FOR MOD. 004373-1)

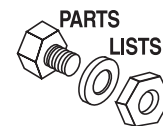
Section 7 – Exploded Views and Parts Lists

Guardian Liquid-cooled 40 kW Generators
Engine – Drawing No. 0A4304-L

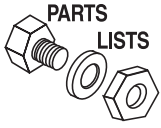


Section 7 – Exploded Views and Parts Lists

Guardian Liquid-cooled 40 kW Generators Engine – Drawing No. 0A4304-L

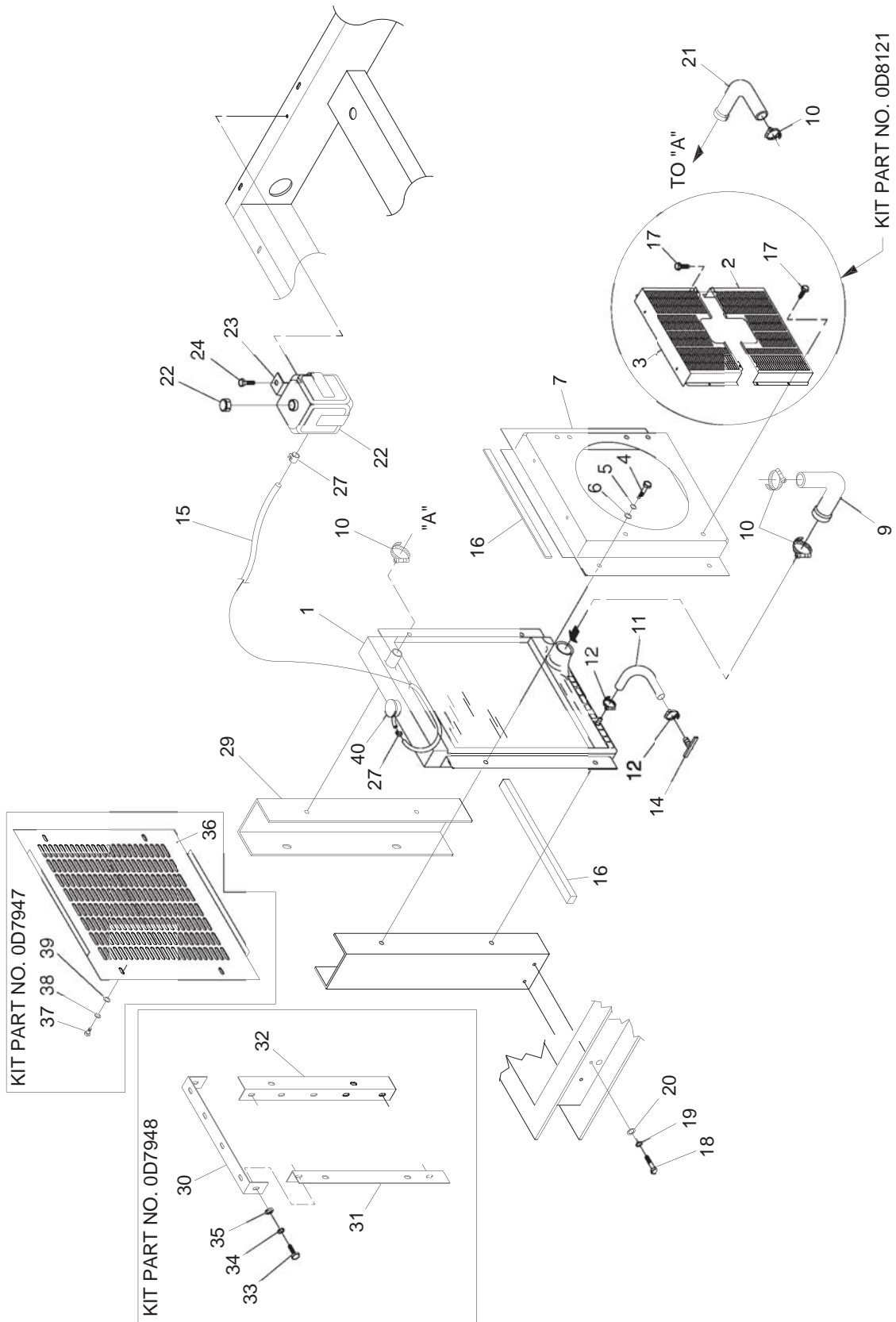


ITEM	PART NO.	QTY.	DESCRIPTION
1	0A9046	1	ENGINE 4.3L GM
2	0A4084	2	MOUNT, ENGINE (R & L)
3	0A4239	1	PULLEY CRANKSHAFT
4	0A4240	1	PULLEY WATER PUMP
5	0A5640	1	SPACER FAN 50MM 4.3L (35KW UNITS ONLY)
	0A5640A	1	SPACER FAN 62MM (45KW UNITS ONLY)
6	0A5639	1	FAN 17" REVRS ROT (35KW UNITS ONLY)
	0D3293A	1	FAN COOLING 22" DIA REVRS ROT (45KW UNITS ONLY)
7	077996	1	CAP HOSE
8	057823	1	CLAMP HOSE #10 .56 - 1.06
9	035579	1	BUSHING REDUCER 1/4 TO 1/8
10	037065	1	SCREW HHC 7/16-20 X 2-1/4 G5
11	022302	1	WASHER LOCK 7/16
12	0A8584	1	SWITCH OIL PRESSURE
13	052644	1	SPACER .5 X 1.5 X .25 STL/ZINC
14	0A4278A	1	BELT SERPENTINE 72.5"
15	0A4930A	1	HEAT SHIELD LEFT
16	0A4085	1	GASKET EXHAUST MANIFOLD
17	0A3927	1	MANIFOLD LEFT EXHAUST
18	0C7947	2	BOLT U 3/8-16 X 2.50
19	0A1232	1	DC ALTERNATOR ASSEMBLY
20	0A7801B	1	PULLEY PLOY-V 82 OD.
21	021928	1	BRACKET ALT. SUPPORT
22	0C6239	1	BRACKET MOUNTING WELD ASSEMBLY
23	0A4241	1	PULLEY GROOVED IDLER
24	0C2885	1	PULLEY TENSIONER
25	0A5737C	1	SPACER DC ALTERNATOR 34MM
26	022131	8	WASHER FLAT 3/8-M10 ZINC
27	077456	1	ADAPTOR M12-1.75 3/8 NPT
28	044117	1	BARBED STRAIGHT 3/8 NPT X 5/8
29	057823	1	CLAMP HOSE #10 .56 - 1.06
30	057448	1	HOSE 5/8 ID TYPE 3 SINGLE (12")
31	022129	8	WASHER LOCK M8-5/16
32	022142	4	SCREW HHC 5/16-18 X 3/4 G5 (45KW)
33	048614	4	SCREW HHC 5/16-24 X 3/4 G5
34	022237	12	WASHER LOCK 3/8
35	029745	4	SCREW HHC 3/8-16 X 1 G5
36	042633	3	SCREW HHC 3/8-24 X 1 G5
37	033819	1	SCREW HHC 3/8-16 X 4 G5
38	022241	4	NUT HEX 3/8-16 STEEL
39	0A5768	1	WASHER FLAT HEAVY DUTY
40	046526	5	WASHER LOCK M10
41	049814	2	SCREW HHC M10-1.5 X 25 G8.8
42	0C3756	1	BOLT TENSIONER PULLEY
43	045772	2	NUT HEX M10-1.5 G8 YEL CHR
44	0D2514	8	SPARK PLUG 5.7L GM
45	052259	1	WASHER FLAT M12
46	055934D	1	CLAMP VINYL 1.06 X .406 Z
47	0A37970001	1	FILTER OIL



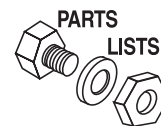
Section 7 – Exploded Views and Parts Lists

Guardian Liquid-cooled 40 kW Generators 4.3L Radiator – Drawing No. 0D7992-D



Section 7 – Exploded Views and Parts Lists

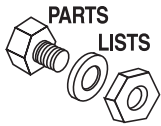
Guardian Liquid-cooled 40 kW Generators 4.3L Radiator – Drawing No. 0D7992-D



ITEM	PART NO.	QTY.	DESCRIPTION
1	0D7825	1	RADIATOR COPPER BRASS
2	0D8251	1	FAN GUARD BOTTOM
3	0D8252	1	FAN GUARD TOP
4	024655	4	SCREW HHTT 1/4-20 X 1 CZ
5	022097	4	WASHER LOCK M6-1/4
6	022473	4	WASHER FLAT 1/4 ZINC
7	0D7174	1	VENTURI 4.3L 22" FAN
	0D7174A	1	VENTURI 4.3L 17" FAN
9	0D7870	1	RADIATOR HOSE LOWER
10	035685	4	CLAMP HOSE #28 1.32 - 2.25
11	047290	1	HOSE 3/8 ID SINGLE BRAID
12	040173	2	CLAMP HOSE #5.5 .62 - .62
14	036865	1	DRAINCOCK
15	029032	1	HOSE 9/32 ID (64" LG)
16	052250	3	TAPE FOAM 1 X 1 (29" LG)
17	058443	10	SCREW CRIMPTITE 1/4-20 X 5/8
18	029745	4	SCREW HHC 3/8-16 X 1 G5
19	022237	4	WASHER LOCK 3/8
20	022131	4	WASHER FLAT 3/8-M10 ZINC
21	0D7850	1	RADIATOR HOSE UPPER
22	076749	1	BOTTLE COOLANT RECOVERY
23	0D7975	1	WATER BOTTLE BRACKET
24	090388	1	SCREW HHTT M6-1.0 X 12 YC
27	048031C	1	CLAMP HOSE BAND 1/4
29	0C4341	2	SUPPORT RADIATOR A GRP
30 *	0A6984	1	BRACKET AIR DUCT TOP/BOT
31 *	0D7942	1	SUPPORT AIR DUCT RH SIDE
32 *	0D7943	1	SUPPORT AIR DUCT LH SIDE
33 *	022413	8	SCREW HHC 1/4-20 X 1 G5
34 *	022097	8	WASHER LOCK M6-1/4
35 *	022473	8	WASHER FLAT 1/4 ZINC
36 **	0D7924	1	SCREEN FRONT
37 **	024655	4	SCREW HHTT 1/4-20 X 1 CZ
38 **	022097	4	WASHER LOCK M6-1/4
39 **	022473	4	WASHER FLAT 1/4 ZINC
40	090283	1	CAP RADIATOR 13 PSI-FOR SERVICE ONLY

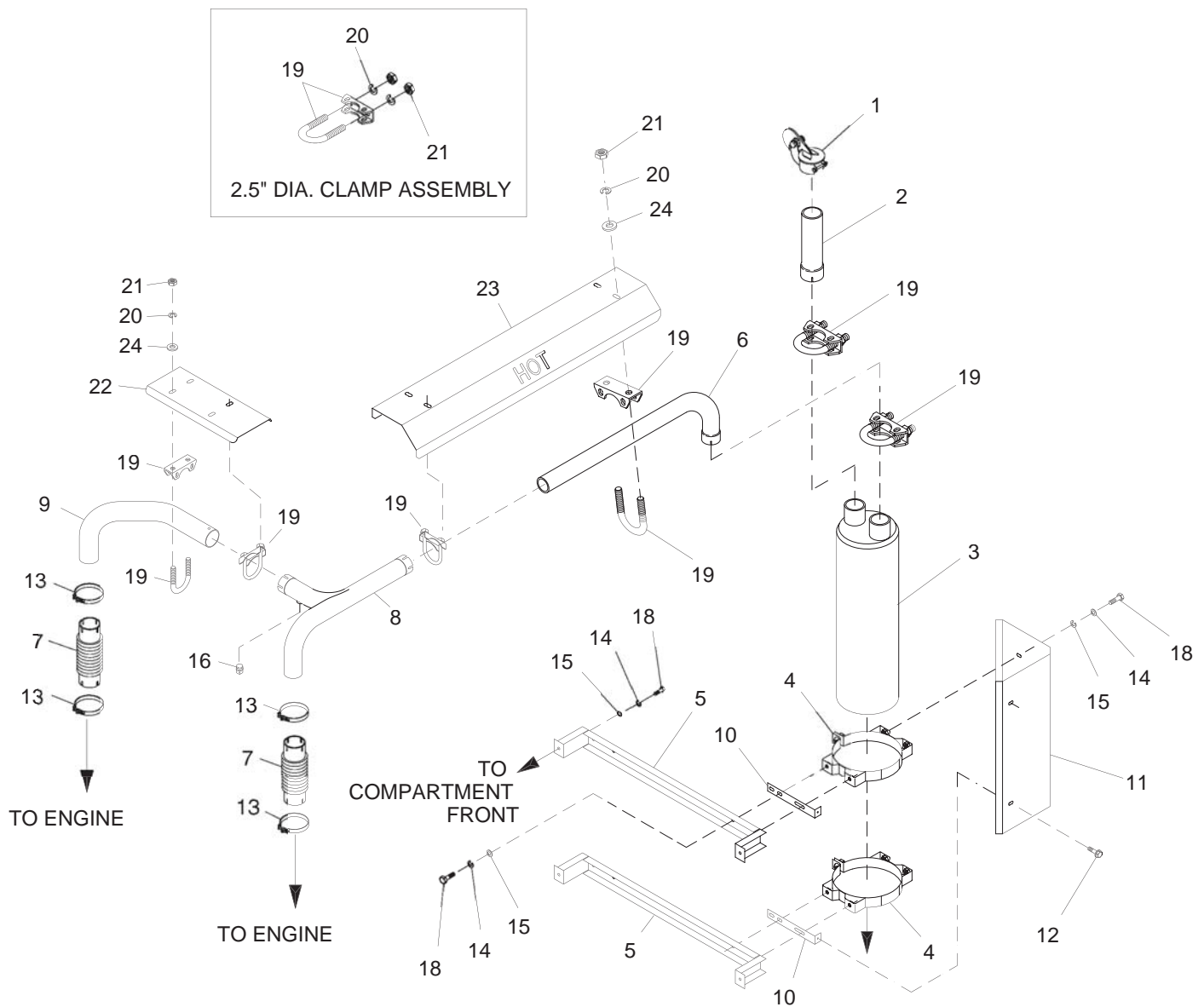
* OPTIONAL WITH KIT 0D7948

** OPTIONAL WITH KIT 0D7947



Section 7 – Exploded Views and Parts Lists

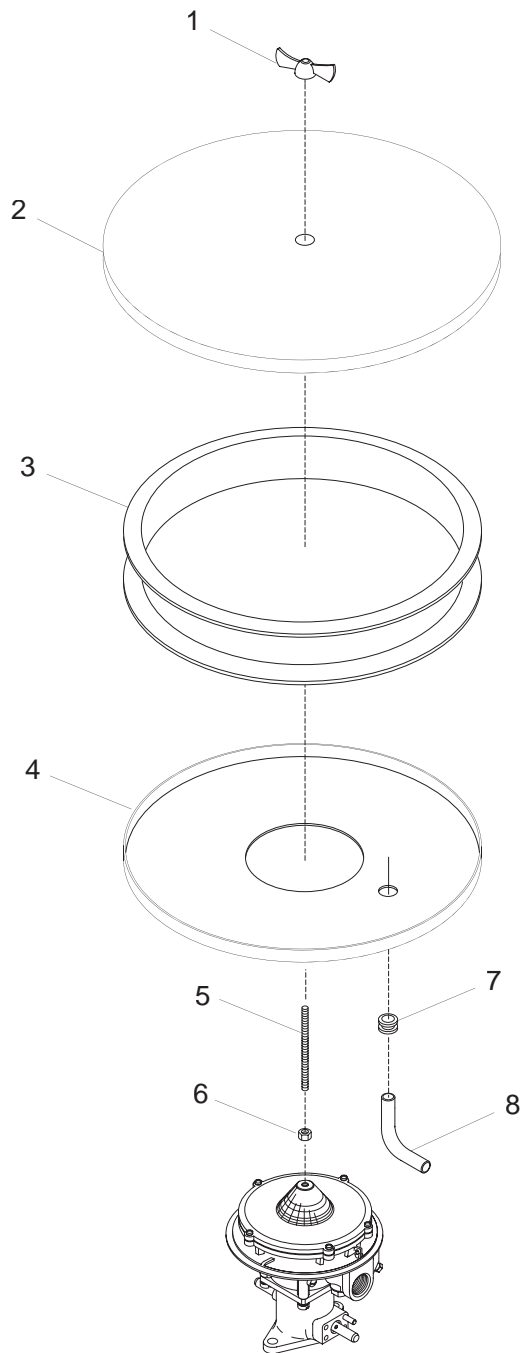
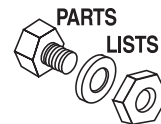
(Model No. 0043733, 0043734 & 0043735) Guardian Liquid-cooled 40 kW Generators
4.3L Exhaust – Drawing No. 0E0704-A



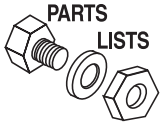
ITEM	PART NO.	QTY.	DESCRIPTION	ITEM	PART NO.	QTY.	DESCRIPTION
1	059902A	1	CAP RAIN 2.50 / 2.69	13	0C3433A	4	CLAMP BAND 2.5"
2	0C9641	1	TUBE STRAIGHT 'A' GROUP	14	022129	12	WASHER LOCK M8-5/16
3	0C9650	1	MUFFLER 2-1/2" INLET/OUTLET	15	022145	12	WASHER FLAT 5/16 ZINC
4	0C4114A	2	CLAMP BAND MUFFLER 6.5"	16	0C9748	1	PLUG M18-1.5
5	0C4126	2	BRACKET MUFFLER MOUNTING	18	042907	12	SCREW HHC M8-1.25 X 16 G8.8
6	0D5787	1	TUBE ELBOW 90 DEG 2.5"	19	080762	6	BOLT U 3/8-16 X 2.62
7	0A5215B	2	PIPE FLEX 2.5"	20	022237	12	WASHER LOCK 3/8
8	0E0699	1	TUBE, CROSS OVER	21	022241	12	NUT HEX 3/8-16 STEEL
9	0E0698	1	TUBE, 90 ELBOW	22	0E0701	1	SHIELD, CROSSOVER HEAT
10	0C4170	2	BRACKET EXHAUST SHIELD	23	0E0700	1	SHIELD, EXHAUST HEAT
11	0C4305	1	SHIELD A-GRP HEAT	24	022131	8	WASHER FLAT 3/8-M10 ZINC
12	0C2454	2	SCREW TH-FRM M6-1 X 16 N WA Z/JS				

Section 7 – Exploded Views and Parts Lists

**Guardian Liquid-cooled 40 kW Generators
4.3L Air Cleaner – Drawing No. 0E0712**

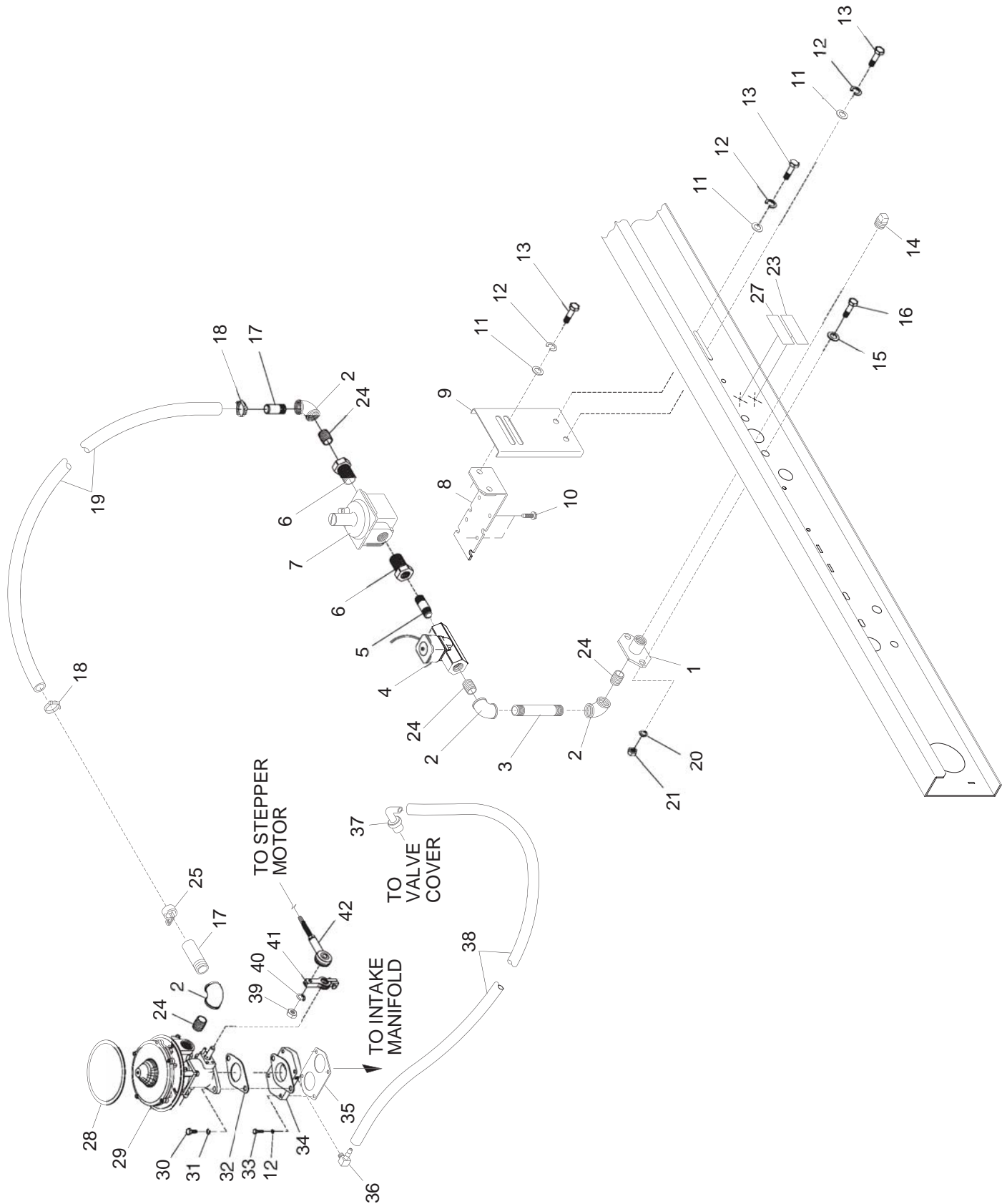


ITEM	PART NO.	QTY.	DESCRIPTION
1	037561	1	NUT WING 1/4-20 NYLK
2	0A4632A	1	PLATE AIR CLEANER TOP
3	0A4637	1	FILTER AIR 11.5" CA326
4	0A4632B	1	PLATE,AIR CLEANR BOT
5	062522	1	STUD TH 1/4-20 X 3 G2 ZNC FULL
6	022127	1	NUT HEX 1/4-20 STEEL
7	057796	1	GROMMET
8	057795	1	CONNECTOR C/C VENT



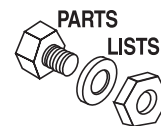
Section 7 – Exploded Views and Parts Lists

(Model No. 0043733, 0043734 & 0043735) Guardian Liquid-cooled 40 kW Generators
4.3L Nat. Gas Fuel System – Drawing No. 0E0714



Section 7 – Exploded Views and Parts Lists

**(Model No. 0043733, 0043734 & 0043735) Guardian Liquid-cooled 40 kW Generators
4.3L Nat. Gas Fuel System – Drawing No. 0E0714**

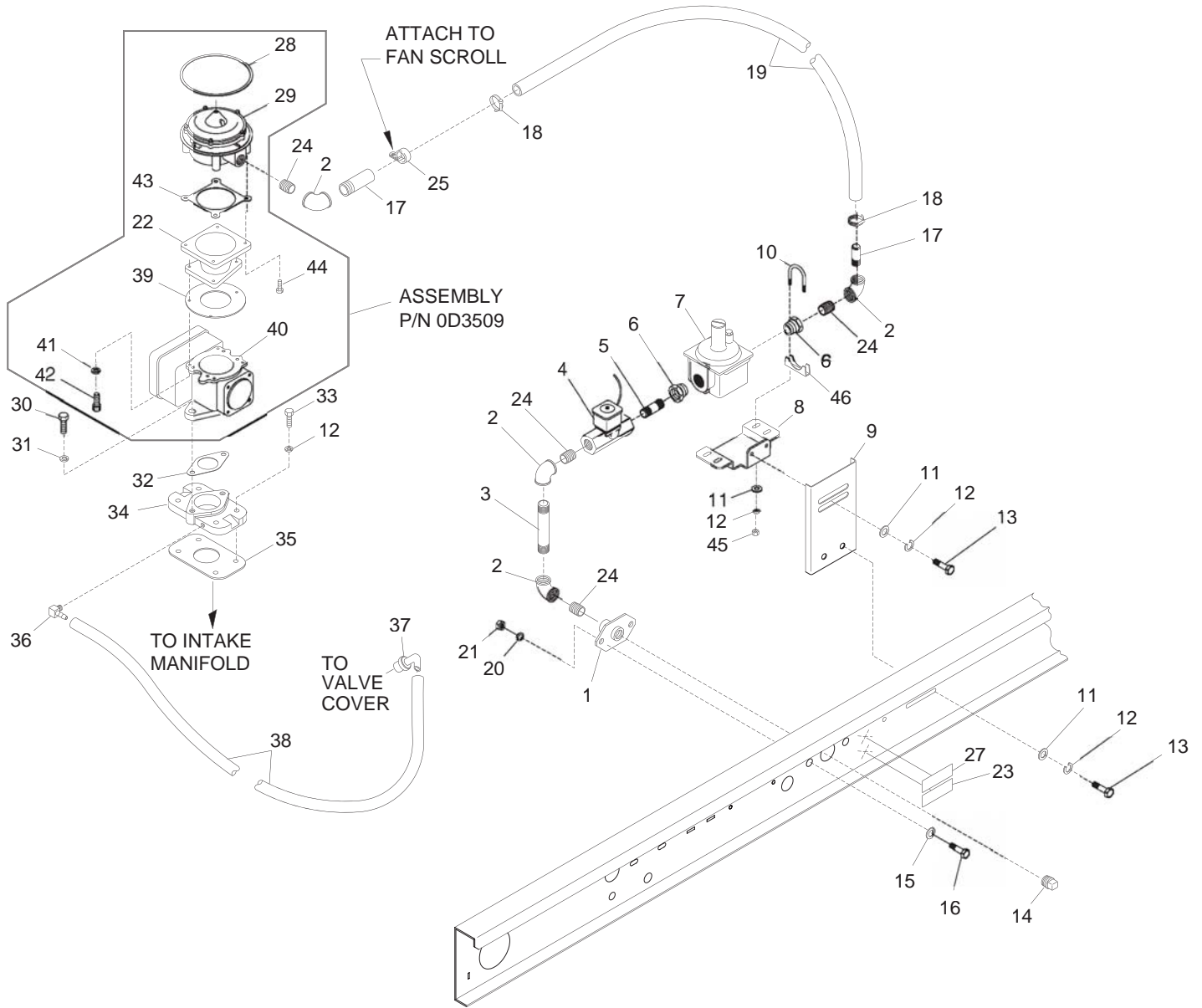


ITEM	PART NO.	QTY.	DESCRIPTION
1	065907	1	SUPPORT SOLENOID NAT GAS
2	026812	4	ELBOW 90D 3/4NPT
3	076691	1	NIPPLE PIPE 3/4 NPT X 4.5 BLK IRN
4	0C7598	1	ASSY NATURAL GAS SOLENOID
5	026490	1	NIPPLE PIPE 3/4 NPT X 2
6	026577	2	BUSHING REDUCER 1 TO 3/4
7	055944	1	REGULATOR NAT GAS LPG VAPOR
8	067018	1	SUPPORT REGULATOR
9	0C2775	1	BRACKET REGULATOR 4.3L
10	061910	4	SCREW HHTT #10-24 X 3/4 YC
11	022145	4	WASHER FLAT 5/16 ZINC
12	022129	8	WASHER LOCK M8-5/16
13	030795	4	SCREW HHC 5/16-18 X 1 G5
14	025655	1	PLUG STD PIPE 3/4 STEEL SQ HD
15	022132	2	WASHER FLAT 9/16 ZINC
16	051778	2	SCREW HHC M14-2.0 X 25 G8.8
17	028641	2	NIPPLE TOE 3/4 NPT X 2
18	057824	2	CLAMP HOSE #16 .87 - 1.50
19	057422	1	HOSE 1IN ID LP GAS (42"LG)
20	043123	2	WASHER LOCK M14
21	051779	2	NUT HEX M14-2 G8 YEL CHR
23	050279	1	DECAL FUEL INLET NG
24	026915	4	NIPPLE CLOSE 3/4 X 1.375
25	055934P	1	CLAMP VINYL 1.62 X .486 Z
26	0A5737C	1	SPACER, D.C. ALT. (29MM LONG) (NOT SHOWN)
27	0D1509	1	DECAL INLET PRESSURE
28	061258	1	GASKET AIR CLEANER
29	0A7631	1	CARB. REWORK 4.3L
30	029745	2	SCREW HHC 3/8-16 X 1 G5
31	022237	2	WASHER LOCK 3/8
32	052865	1	GASKET CARBURETOR
33	033212	2	SCREW HHC 5/16-18 X 1-1/4 G5
34	0A4120	1	ADAPTOR CARBURETOR W/INLET
35	064945	1	GASKET CARBURETOR ADAPTOR
36	0A6344	1	BARBED ELBOW 90 DEG 1/8 NPT X 3/8
37	0A4121	1	VALVE PCV
38	047290	1	HOSE 3/8 ID SINGLE BRAID (10")
39	036409	1	NUT HEX 1/4-28 STEEL
40	022097	1	WASHER LOCK M6-1/4
41	0A5763	1	ARM THROTTLE-REWORK
42	082508	1	BALL JOINT PLA .25-28



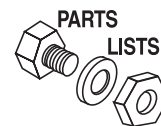
Section 7 – Exploded Views and Parts Lists

(Model No. 0046262, 0046263 & 0046264) Guardian Liquid-cooled 40 kW Generators
4.3L Nat. Gas Fuel System – Drawing No. 0E1338



Section 7 – Exploded Views and Parts Lists

**(Model No. 0046262, 0046263 & 0046264) Guardian Liquid-cooled 40 kW Generators
4.3L Nat. Gas Fuel System – Drawing No. 0E1338**

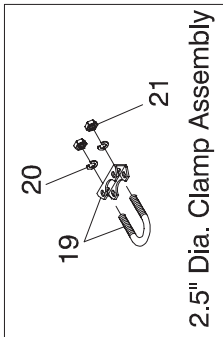
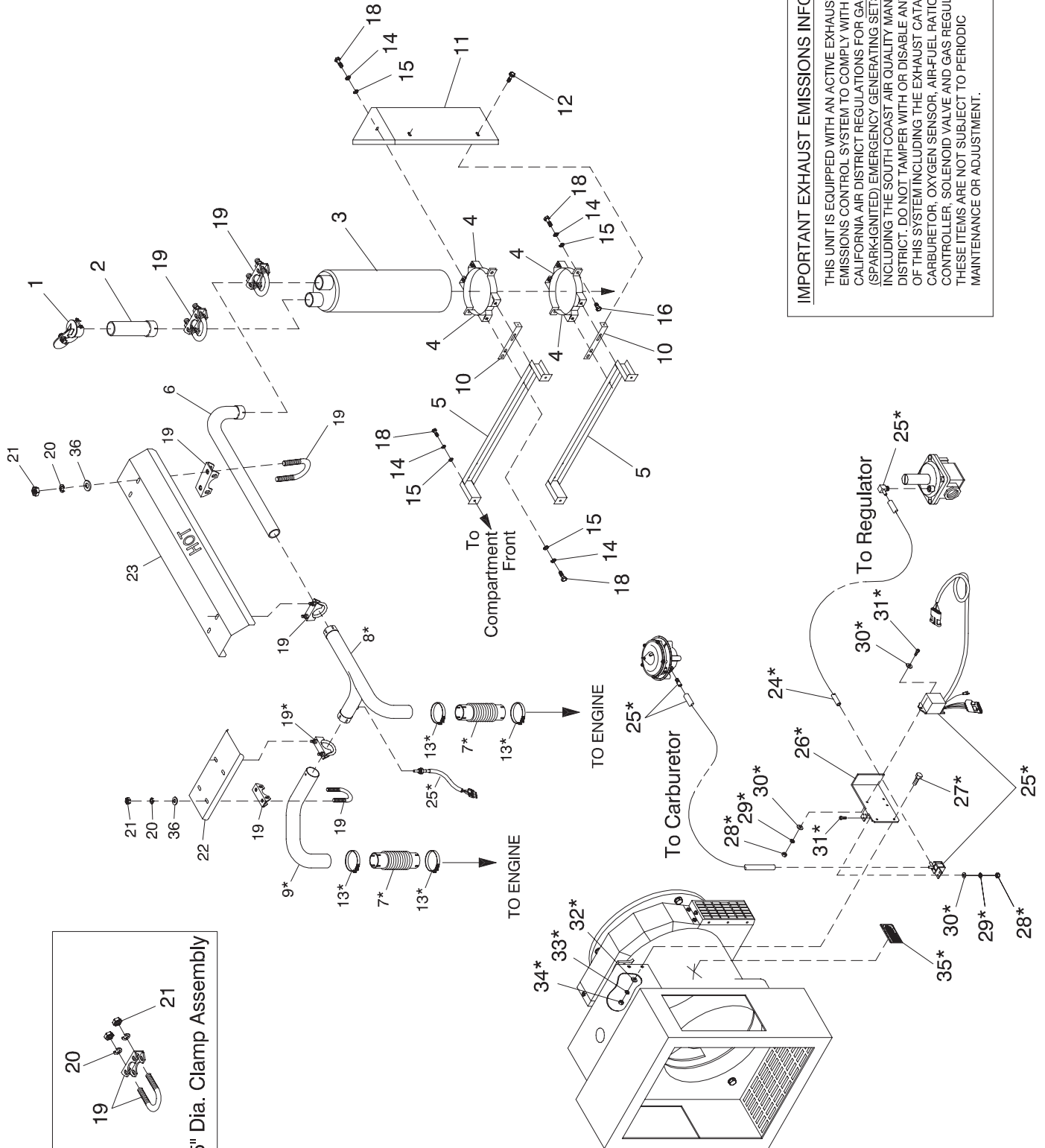


ITEM	PART NO.	QTY.	DESCRIPTION
1	065907	1	SUPPORT SOLENOID NAT GAS
2	026812	4	ELBOW 90D 3/4NPT
3	076691	1	NIPPLE PIPE 3/4 NPT X 4.5 BLK IRN
4	0C7598	1	ASSY NATURAL GAS SOLENOID
5	026490	1	NIPPLE PIPE 3/4 NPT X 2
6	026577	2	BUSHING REDUCER 1 TO 3/4
7	0D2758	1	REGULATOR, N/G (R600S)
8	0E0521	1	SUPPORT REGULATOR
9	0C2775	1	BRACKET REGULATOR 4.3L
10	028238	2	BOLT U 5/16-18 X 1.50
11	022145	8	WASHER FLAT 5/16 ZINC
12	022129	12	WASHER LOCK M8-5/16
13	030795	4	SCREW HHC 5/16-18 X 1 G5
14	025655	1	PLUG STD PIPE 3/4 STEEL SQ HD
15	022132	2	WASHER FLAT 9/16 ZINC
16	051778	2	SCREW HHC M14-2.0 X 25 G8.8
17	028641	2	NIPPLE TOE 3/4 NPT X 2
18	057824	2	CLAMP HOSE #16 .87 - 1.50
19	057422	1	HOSE 1IN ID LP GAS (44"LG)
20	043123	2	WASHER LOCK M14
21	051779	2	NUT HEX M14-2 G8 YEL CHR
22	0C7820	1	MACHINING, CARBURETOR ADAPTOR
23	050279	1	DECAL FUEL INLET LPG
24	026915	4	NIPPLE CLOSE 3/4 X 1.375
25	055934P	1	CLAMP VINYL 1.62 X .486 Z
26**	0A5737C	1	SPACER, D.C. ALT. (29MM LONG)
27	0D1509	1	DECAL INLET PRESSURE
28	061258	1	GASKET AIR CLEANER
29	0C7650A	1	MIXER (EMISSIONS) NATURAL GAS
30	029745	2	SCREW HHC 3/8-16 X 1 G5
31	022237	2	WASHER LOCK 3/8
32	0C7059	1	GASKET GOVERNOR THROTTLE BODY
33	033212	4	SCREW HHC 5/16-18 X 1-1/4 G5
34	0A4120	1	ADAPTOR CARBURETOR W/INLET
35	064945	1	GASKET CARBURETOR ADAPTOR
36	0A6344	1	BARBED ELBOW 90 DEG 1/8 NPT X 3/8
37	0A4121	1	VALVE PCV
38	047290	1	HOSE 3/8 ID SINGLE BRAID (10")
39	0C7060	1	GASKET CARBURETOR ADAPTOR
40	0D3485	1	ASSY THROTTLE PF42 WIRE CONN
41	022152	4	WASHER LOCK #10
42	0C7908	4	SCREW SHC #10-32 X 5/8 G8.8 NZ
43	0A6613	1	GASKET CARB IMPCO 225
44	064090	4	SCREW PHM SEMS #12-24 X 5/8 EX
45	022259	4	NUT HEX 5/16-18 STEEL
46	028237	2	SADDLE 1-3/8

**NOT SHOWN

Section 7 – Exploded Views and Parts Lists

**(Model No. 0046262, 0046263 & 0046264) Guardian Liquid-cooled 40 kW Generators
Exhaust – Drawing No. 0E1347-A**

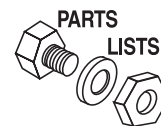


IMPORTANT EXHAUST EMISSIONS INFORMATION

THIS UNIT IS EQUIPPED WITH AN ACTIVE EXHAUST EMISSIONS CONTROL SYSTEM TO COMPLY WITH CERTAIN CALIFORNIA AIR DISTRICT REGULATIONS FOR GASEOUS (SPARK-IGNITED) EMERGENCY GENERATING SETS, INCLUDING THE SOUTH COAST AIR QUALITY MANAGEMENT DISTRICT. DO NOT TAMPER WITH OR DISABLE ANY PART OF THIS SYSTEM INCLUDING THE EXHAUST CATALYST, CARBURETOR, OXYGEN SENSOR, AIR-FUEL RATIO CONTROLLER, SOLENOID VALVE AND GAS REGULATOR. THESE ITEMS ARE NOT SUBJECT TO PERIODIC MAINTENANCE OR ADJUSTMENT.

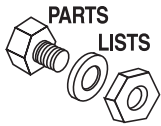
Section 7 – Exploded Views and Parts Lists

**(Model No. 0046262, 0046263 & 0046264) Guardian Liquid-cooled 40 kW Generators
Exhaust – Drawing No. 0E1347-A**



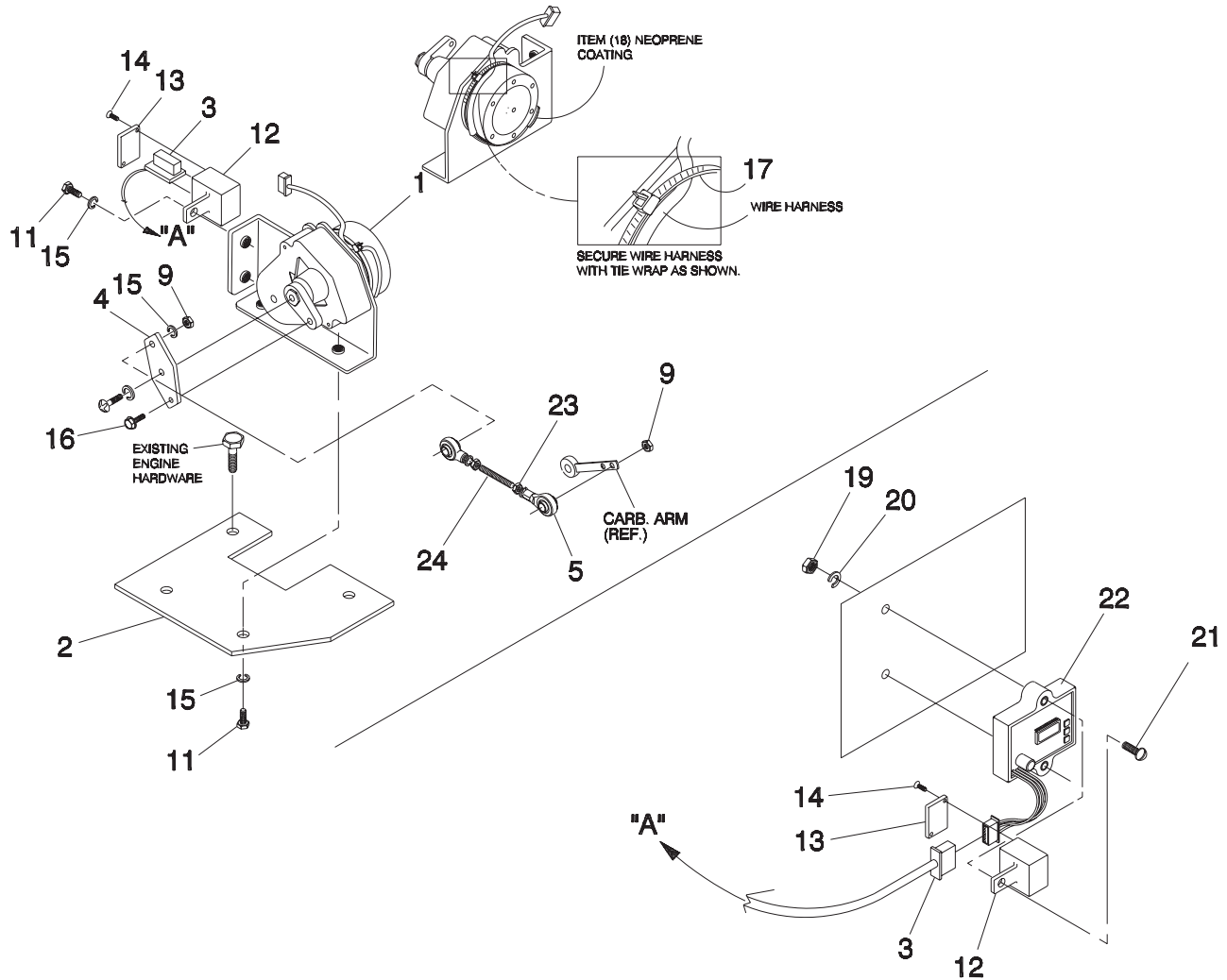
ITEM	PART NO.	QTY.	DESCRIPTION
1	059902A	1	CAP RAIN 2.50 / 2.69
2	0C9641	1	TUBE STRAIGHT 'A' GROUP
3	0D4208	1	MUFFLER CATALYST 4.3L
4	0D5061	4	MOUNTING BAND A-GRP CATALYST
5	0C4126	2	BRACKET MUFFLER MOUNTING
6	0D5787	1	TUBE ELBOW 90 DEG 2.5"
7	0A5215B	2	PIPE FLEX 2.5"
8	0E0699	1	TUBE, CROSS OVER
9	0E0698	1	TUBE, 90 ELBOW
10	0C4170	2	BRACKET EXHAUST SHIELD
11	0C4305	1	SHIELD A-GRP HEAT
12	0C2454	2	SCREW TH-FRM M6-1 X 16 N WA Z/JS
13	0C3433A	4	CLAMP BAND 2.5"
14	022129	16	WASHER LOCK M8-5/16
15	022145	20	WASHER FLAT 5/16 ZINC
16	045771	4	NUT HEX M8-1.25 G8 YEL CHR
18	042907	16	SCREW HHC M8-1.25 X 16 G8.8
19	080762	6	BOLT U 3/8-16 X 2.62
20	022237	12	WASHER LOCK 3/8
21	022241	12	NUT HEX 3/8-16 STEEL
22	0E0701	1	SHIELD, CROSSOVER HEAT
23	0E0700	1	SHIELD, EXHAUST HEAT
24	077879	1	HOSE VACUUM 5/32 (36"LG)
25	0D4221	1	KIT AIR/FUEL RATIO CONTROLLER
26	0D4512	1	BRACKET AIR/FUEL CONTROLLER
27	043116	2	SCREW HHC M6-1.0 X 12 G8.8
28	022471	5	NUT HEX #8-32 STEEL
29	022264	5	WASHER LOCK #8-M4
30	038150	8	WASHER FLAT #8 ZINC
31	036918	5	SCREW PPHM #8-32 X 1/2
32	049811	2	WASHER FLAT M6
33	022097	2	WASHER LOCK M6-1/4
34	049813	2	NUT HEX M6 X 1.0 G8 YEL CHR
35	0D8780	1	DECAL IMPORTANT EXHAUST EMISSION INFO
36	022131	8	WASHER FLAT 3/8-M10 ZINC

*NOTE: COMPONENT INSTALLED AT WAUKESHA FACILITY



Section 7 – Exploded Views and Parts Lists

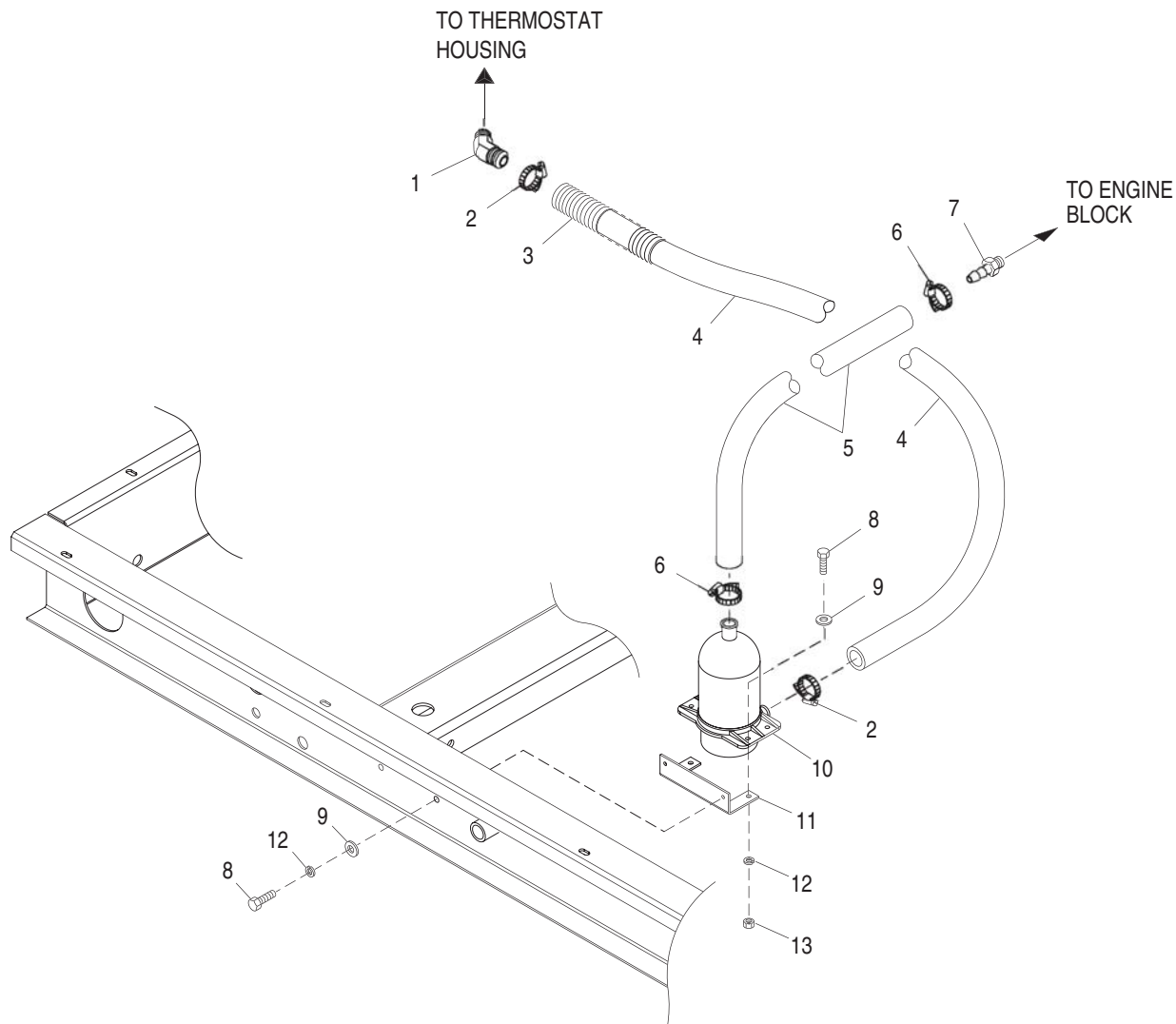
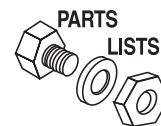
(Model No. 0043733, 0043734 & 0043735) Guardian Liquid-cooled 40 kW Generators
Electronic Governor – Drawing No. 0A2615-F



ITEM	PART NO.	QTY.	DESCRIPTION
1	098290	1	ASSEMBLY MOTOR STEPPER
2	0A3439	1	BRACKET GOVERNOR MOUNTING
3	098958A	1	CONNECTOR INTERFACE ASSEMBLY
4	021888	1	LEVER STEPPER MOTOR
5	082508	2	BALL JOINT 1/4-28
9	036409	2	NUT HEX 1/4-28 STEEL
11	043146	3	SCREW HHC M6-1.0 X 10 G8.8
12	098941A	2	HOUSING GOVERNOR CONNECT
13	098942A	2	COVER CONN HOUSING
14	098225	4	SCREW FHM #2 X 5/8 SELF TAP
15	022097	4	WASHER LOCK M6-1/4
16	064526	1	SCREW TAP HWH #6-25 X 3/8 ZINC
17	029333A	1	TIE WRAP 7.4" X .19" BLACK UL
18	074031	-	NEOPRENE LIQUID COATING (NOT SHOWN)
19	051716	2	NUT HEX M5-0.8 G8 YEL CHR
20	049226	2	WASHER LOCK M5
21	076040	2	SCREW PPHM M5-0.8 X 16
22	098647	1	ASSEMBLY L.C. ELECTRONIC GOVERNOR
23	036409	2	NUT HEX 1/4-28 STEEL
24	0C2184	1	STUD THR 1/4-28 X 3-1/2 G2 ZINC

Section 7 – Exploded Views and Parts Lists

Guardian Liquid-cooled 40 kW Generators Engine Coolant Heater – Drawing No. 0E2352



ITEM	PART NO.	QTY.	DESCRIPTION
1	**0C4905	1	BARBED EL 45 FITTING
2	**057822	2	CLAMP HOSE #8 .53-1.00
3	**077043E	1	CONDUIT FLEX 1" BLACK (15"LG)
4	**050967	1	HOSE 5/8 ID RIA 250F (46"LG)
5	0A6283	1	HOSE PREFORMED BLOCK HEATER
6	057822	2	CLAMP HOSE #8 .53-1.00
7	053660	1	BARBED STR 1/4 NPT X 5/8
8	042568	4	SCREW HHC M6-1.0 X 20 G8.8
9	022473	4	WASHER FLAT 1/4-M6 ZINC
10	084918A	1	HEATER ENG 1000W 120V
11	*084918B	1	HEATER BLOCK 1000W 240V
12	084427	1	BRACKET HEATER W/WELDNUTS
13	022097	4	WASHER LOCK M6-1/4
14	049813	2	NUT HEX M6 X 1.0 G8 YEL CHR
15	055934D	1	CLAMP VINYL 1.06 X .406 Z (NOT SHOWN)
15	077043A	1	CONDUIT FLEX .38 ID (42"LG) (NOT SHOWN) (USED ON HEATER CORD)

*USED ON 50HZ VOLTAGE GENERATORS ONLY.

**USED ON NATURAL GAS & L/P VAPOR UNITS ONLY.