



# Owner's Manual

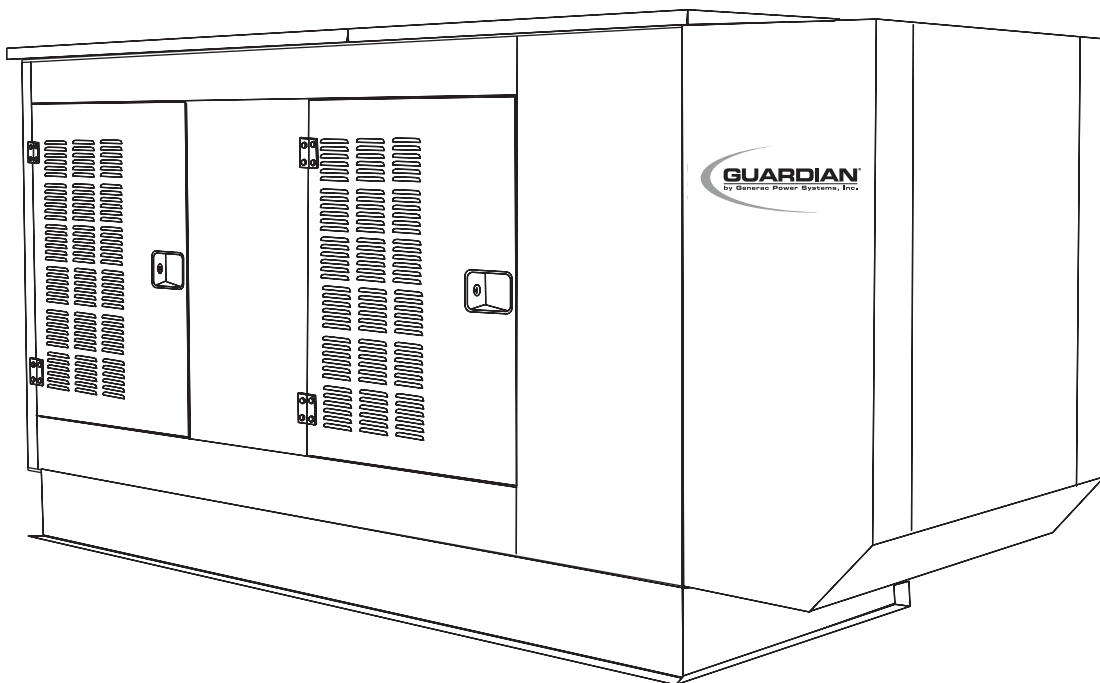
Liquid-cooled, Prepackaged  
Standby Generators

**\* This Manual Should  
Remain With The Unit \***

Models:

004373-2 (40 kW/Single-phase  
w/ 200 Amp  
Transfer Switch)

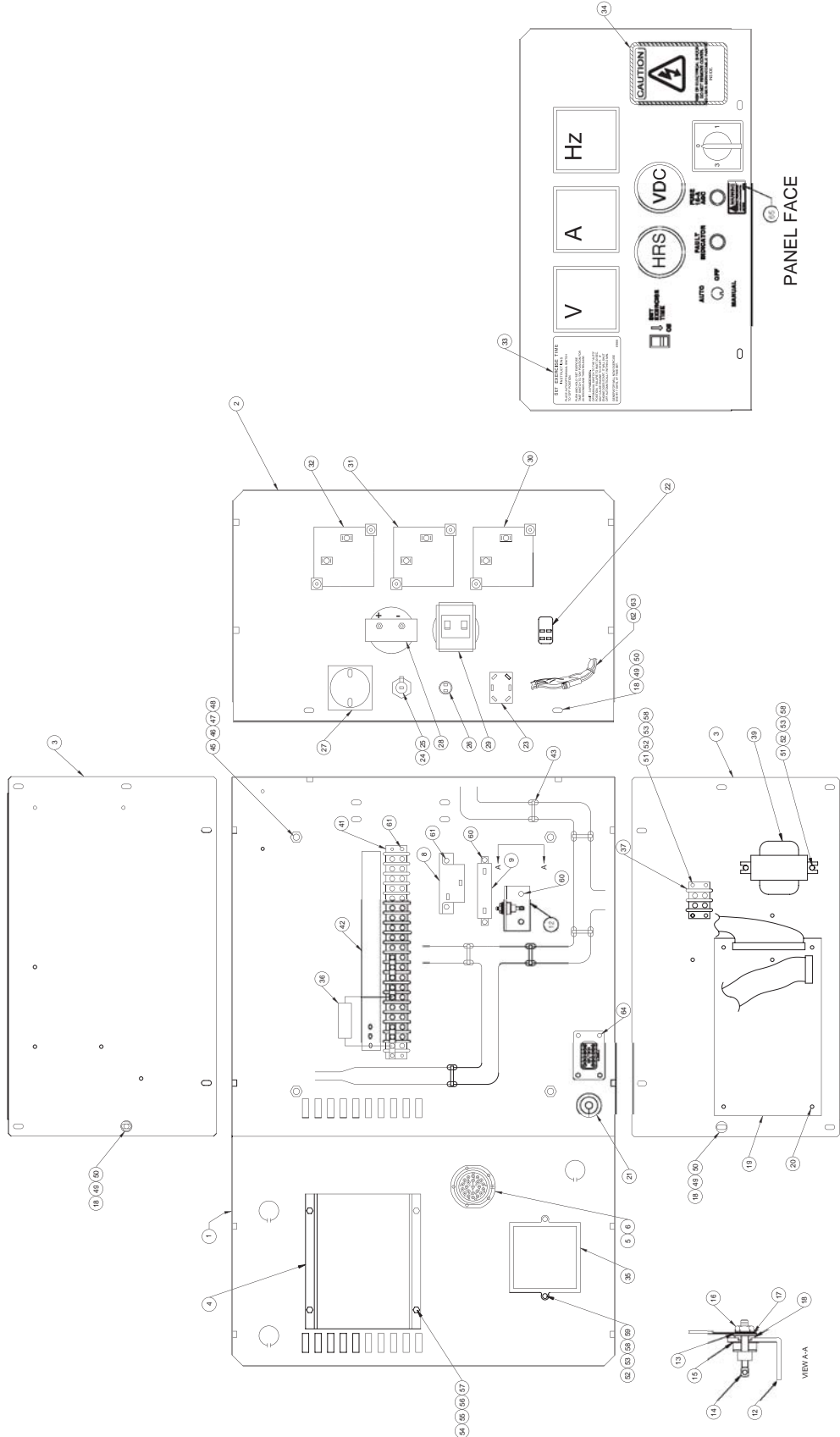
004626-1 (40 kW/Single-phase  
w/ 200 Amp  
Transfer Switch  
California Emissions)



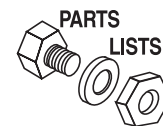
—  **DANGER**  —

**ONLY QUALIFIED ELECTRICIANS OR CONTRACTORS  
SHOULD ATTEMPT INSTALLATION!!**

**Section 7 – Exploded Views and Parts Lists**  
**(Model No. 004373-2) Guardian Liquid-cooled 40 kW Generators**  
**Control Panel - Drawing No. 0D4995-F**



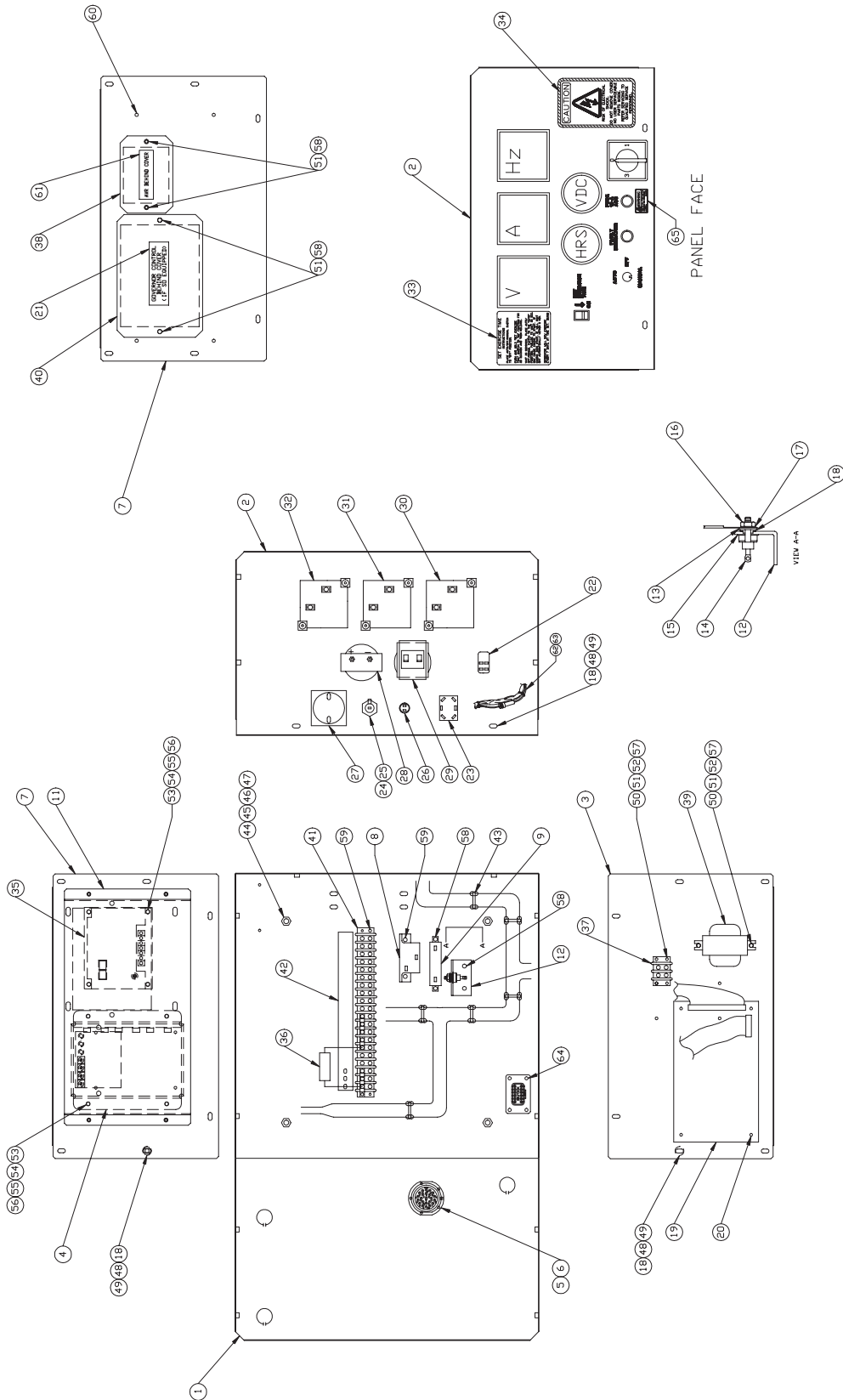
**Section 7 – Exploded Views and Parts Lists**  
**(Model No. 004373-2) Guardian Liquid-cooled 40 kW Generators**  
**Control Panel - Drawing No. 0D4995-F**



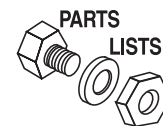
| ITEM | PART NO. | QTY. | DESCRIPTION                         | ITEM | PART NO. | QTY. | DESCRIPTION                   |
|------|----------|------|-------------------------------------|------|----------|------|-------------------------------|
| 1    | 0D5488   | 1    | PANEL BTM & BACK CONTROL PANEL      | 34   | 0C1229   | 1    | DECAL CUST CONN BOX           |
| 2    | 0D1521A  | 1    | CONTROL PANEL, FRONT W/ SILK SCREEN | 35   | 098647   | REF. | ASSY L.C. ELECT GOV           |
| 3    | 0D1522   | 2    | PANEL,SIDE COVER CONTROL PANEL      | 36   | 0A3968   | 1    | CAPACITOR FILTER ASY          |
| 4    | 067680   | 1    | ASSY VOLTAGE REGULATOR 60HZ         | 37   | 048766   | REF. | BLOCK TERM 20A 2 X 6 X 1100V  |
| 5    | 0C8243   | 1    | WASHER LOCK HDPDEUTSCH              | 39   | 083264   | 1    | TFMR ASM,CMA 240/12V          |
| 6    | 0C8244   | 1    | NUT, HDP DEUTSCH                    | 41   | 057335   | REF. | BLOCK TERM 20A 20 X 6 X 1100V |
| 8    | 048467   | 1    | CIRCT BRK 7 X 1 ETA 46-500-P        | 42   | 076061   | 1    | DECAL, TERM. STRIP            |
| 9    | 057907   | 1    | RES WW LUG 10R 10% 25W              | 43   | 029333   | 6    | TIE WRAP 7.4" X .19" NATL UL  |
| 10   | 064008   | 1    | COVER CON PNL TOP (NOT SHOWN)       | 45   | 040479   | 4    | VIB MNT 1.0 X 1.0 X 1/4-20    |
| 12   | 055444   | 1    | HEATSINK                            | 46   | 022507   | 4    | SCREW HHC 1/4-20 X 1/2 G5     |
| 13   | 030468   | 1    | WASHER STEP NYLON .20               | 47   | 022127   | 4    | NUT HEX 1/4-20 STEEL          |
| 14   | 049939   | 1    | RECTIFIER MSC 12A 600V 1N1206R      | 48   | 022097   | 4    | WASHER LOCK M6-1/4            |
| 15   | 070370   | 1    | WASHER MICA .203                    | 49   | 033121   | 14   | SCREW HHC #10-32 X 1/2        |
| 16   | 022158   | 1    | NUT HEX #10-32 STEEL                | 50   | 022152   | 14   | WASHER LOCK #10               |
| 17   | 023762   | 1    | WASHER SHAKEPROOF EXT #10 STL       | 51   | 036902   | 4    | SCREW PPHM #6-32 X 1/2        |
| 18   | 023897   | 15   | WASHER FLAT #10 ZINC                | 52   | 022155   | 6    | WASHER LOCK #6                |
| 19   | 076009A  | 1    | PP LOGIC ASM 50/60HZ                | 53   | 022985   | 6    | WASHER FLAT #6 ZINC           |
| 20   | 040213   | 4    | PCB SUPPORT SNAP-IN 1/4"            | 54   | 036918   | 4    | SCREW PPHM #8-32 X 1/2        |
| 21   | 027744   | 1    | GROMMET 3/4 X 5/32 X 5/16           | 55   | 022264   | 4    | WASHER LOCK M4                |
| 22   | 082573   | 1    | SWITCH ROCKER DPST 125V SPD         | 56   | 038150   | 4    | WASHER FLAT #8 ZINC           |
| 23   | 076020   | 1    | SWITCH TOG DPDT 15/10 SP            | 57   | 022471   | 4    | NUT HEX #8-32 STEEL           |
| 24   | 032300   | 1    | HOLDER FUSE                         | 58   | 022188   | 6    | NUT HEX #6-32 STEEL           |
| 25   | 022676   | 1    | FUSE 15A X AGC15                    | 59   | 036908   | 2    | SCREW PPHM #6-32 X 1-1/4      |
| 26   | 064009   | 1    | LIGHT 12VDC .02A LED RED PILOT      | 60   | 0C2428   | 4    | SCREW PHTT #6-32 X 1/2 ZYC    |
| 27   | 061945   | 1    | SWITCH SELECTOR 6A AMP/V            | 61   | 0C2323   | 4    | SCREW PHTT #6-32 X 5/8 ZYC    |
| 28   | 076037   | 1    | VOLTMETER DC 8-18V                  | 62*  | 0D5324   | REF. | FUSE & HOLDER LITTEL 7.5A     |
| 29   | 070081   | 1    | HOURMETER                           | 63*  | 0A9611   | REF. | FUSE 7.5AXBK/AGC7.5NX W/22670 |
| 30   | 070043   | 1    | VOLTMETER AC 0-300                  | 64   | 074908   | 1    | SCREW HHTT M5-0.8 X 10 BP     |
| 31   | 070045   | 1    | AMMETER AC 0-200                    | 65   | 0E3783   | 1    | DECAL, WARNING REMOVE FUSE    |
| 32   | 070042   | 1    | FREQUENCY METER 240V 55-65HZ        |      |          |      |                               |
| 33   | 081988   | 1    | DECAL EXERCISE INFO                 |      |          |      |                               |

\* PART OF CONTROL PANEL WIRE HARNESS

**Section 7 – Exploded Views and Parts Lists**  
**(Model No. 004626-1) Guardian Liquid-cooled 40 kW Generators**  
**Control Panel - Drawing No. 0D6978-C**

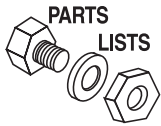


**Section 7 – Exploded Views and Parts Lists**  
**(Model No. 004626-1) Guardian Liquid-cooled 40 kW Generators**  
**Control Panel - Drawing No. 0D6978-C**



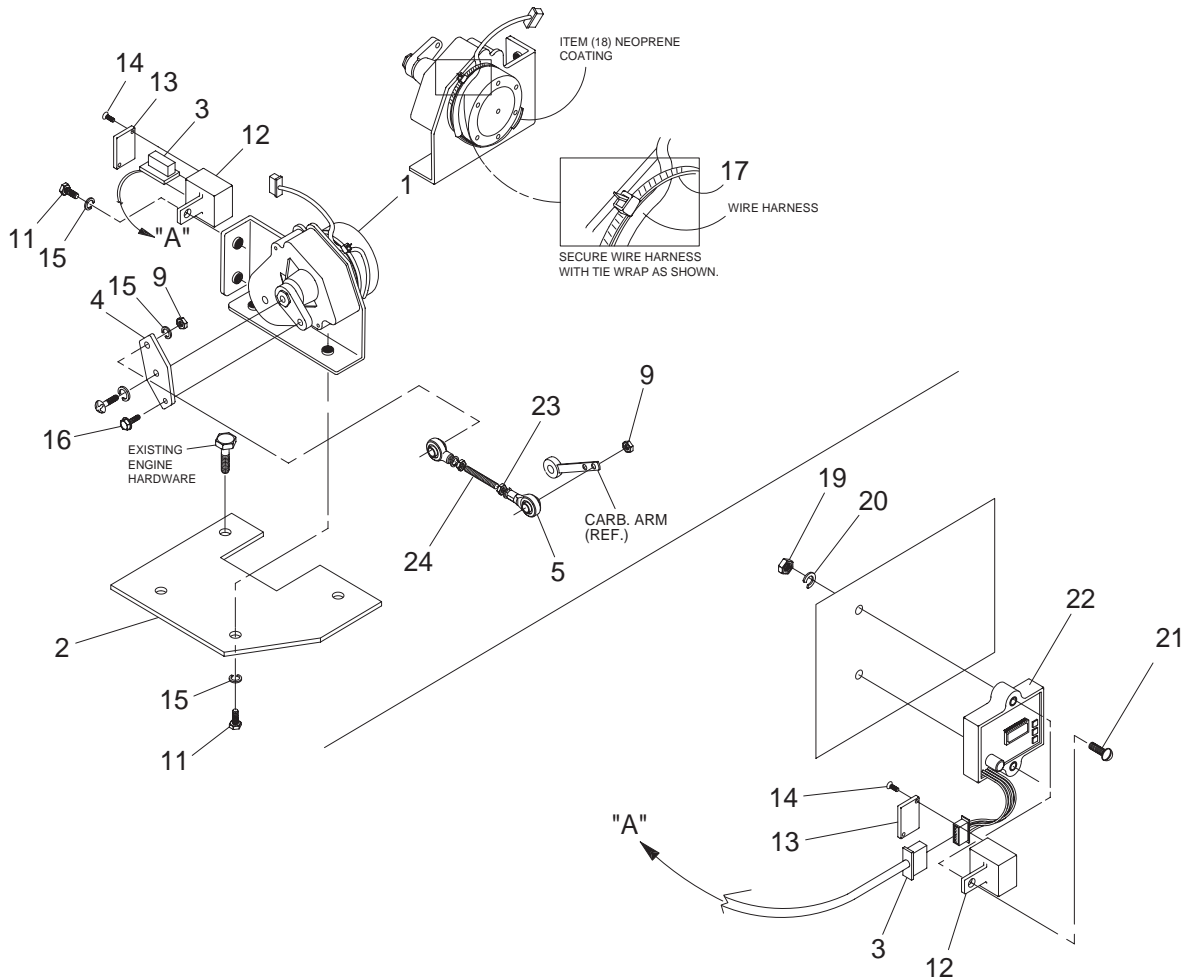
| ITEM | PART NO. | QTY. | DESCRIPTION                        | ITEM | PART NO. | QTY. | DESCRIPTION                   |
|------|----------|------|------------------------------------|------|----------|------|-------------------------------|
| 1    | 0D7397   | 1    | PNL BTM & BACK CNTL PNL 04626      | 34   | 0C1229   | 1    | DECAL CUST CONN BOX           |
| 2    | 0D1521A  | 1    | CONTROL PANEL FRONT W/ SILK SCREEN | 35   | 0D3440   | 1    | CONTROLLER, B-C #DPG-2103     |
| 3    | 0D1522   | 1    | PANEL SIDE COVER CONTROL PANEL     | 36   | 0A3968   | 1    | CAPACITOR FILTER ASY          |
| 4    | 067680   | 1    | ASSY VOLTAGE REGULATOR 60HZ        | 37   | 048766   | REF  | BLOCK TERM 20A 2 X 6 X 1100V  |
| 5    | 0C8243   | 1    | WASHER LOCK HDP DEUTSCH            | 38   | 0A1441B  | 1    | COVER PLATE AVR               |
| 6    | 0C8244   | 1    | NUT, HDP DEUTSCH                   | 39   | 083264   | 1    | TFMR ASM,CMA 240/12V          |
| 7    | 0A6321   | 1    | PANEL LEFT SIDE E                  | 40   | 0A1441C  | 1    | COVER PLATE EGOV              |
| 8    | 048467   | 1    | CIRCT BRK 7 X 1 ETA 46-500-P       | 41   | 057335   | REF  | BLOCK TERM 20A 20 X 6 X 1100V |
| 9    | 057907   | 1    | RES WW LUG 10R 10% 25W             | 42   | 076061   | 1    | DECAL TERM. STRIP             |
| 10   | 064008   | 1    | COVER CON PNL TOP (NOT SHOWN)      | 43   | 029333   | 6    | TIE WRAP 7.4" X .19" NATL UL  |
| 11   | 0E3550   | 1    | CHASSIS, UNIVERSAL                 | 44   | 040479   | 4    | VIB MNT 1.0 X 1.0 X 1/4-20    |
| 12   | 055444   | 1    | HEATSINK                           | 45   | 022507   | 4    | SCREW HHC 1/4-20 X 1/2 G5     |
| 13   | 030468   | 1    | WASHER STEP NYLON .20              | 46   | 022127   | 4    | NUT HEX 1/4-20 STEEL          |
| 14   | 049939   | 1    | RECTIFIER MSC 12A 600V 1N1206R     | 47   | 022097   | 4    | WASHER LOCK M6-1/4            |
| 15   | 070370   | 1    | WASHER MICA .203                   | 48   | 033121   | 14   | SCREW HHC #10-32 X 1/2        |
| 16   | 022158   | 1    | NUT HEX #10-32 STEEL               | 49   | 022152   | 14   | WASHER LOCK #10               |
| 17   | 023762   | 1    | WASHER SHAKEPROOF EXT #10 STL      | 50   | 036902   | 4    | SCREW PPHM #6-32 X 1/2        |
| 18   | 023897   | 15   | WASHER FLAT #10 ZINC               | 51   | 022155   | 6    | WASHER LOCK #6                |
| 19   | 076009A  | 1    | PP LOGIC ASM 50/60HZ               | 52   | 022985   | 8    | WASHER FLAT #6 ZINC           |
| 20   | 040213   | 4    | PCB SUPPORT SNAP-IN 1/4"           | 53   | 036918   | 8    | SCREW PPHM #8-32 X 1/2        |
| 21   | 0A3394   | 1    | GROMMET 3/4 X 5/32 X 5/16          | 54   | 022264   | 8    | WASHER LOCK M4                |
| 22   | 082573   | 1    | SWITCH ROCKER DPST 125V SPD        | 55   | 038150   | 8    | WASHER FLAT #8 ZINC           |
| 23   | 076020   | 1    | SWITCH TOG DPDT 15/10 SP           | 56   | 022471   | 8    | NUT HEX #8-32 STEEL           |
| 24   | 032300   | 1    | HOLDER FUSE                        | 57   | 022188   | 6    | NUT HEX #6-32 STEEL           |
| 25   | 022676   | 1    | FUSE 15A X AGC15                   | 58   | 0C2428   | 8    | SCREW PHTT #6-32 X 1/2 ZYC    |
| 26   | 064009   | 1    | LIGHT 12VDC .02A LED RED PILOT     | 59   | 0C2323   | 4    | SCREW PHTT #6-32 X 5/8 ZYC    |
| 27   | 061945   | 1    | SWITCH SELECTOR 6A AMP/V           | 60   | 0A2284   | 4    | SCREW SWAGE 8-32 X 1/2 Z/YC   |
| 28   | 076037   | 1    | VOLTMETER DC 8-18V                 | 61   | 0C1127   | 1    | DECAL AVR COVER               |
| 29   | 070081   | 1    | HOURLMETER                         | 62*  | 0D5324   | 4    | FUSE & HOLDER LITTEL 7.5A     |
| 30   | 070043   | 1    | VOLTMETER AC 0-300                 | 63*  | 0A9611   | 1    | FUSE 7.5AXBK/AGC7.5NX W/22670 |
| 31   | 070045   | 1    | AMMETER AC 0-200                   | 64   | 074908   | 4    | SCREW HHTT M5-0.8 X 10 BP     |
| 32   | 070042   | 1    | FREQUENCY METER 240V 55-65HZ       | 65   | 0E3783   | 1    | DECAL, WARNING REMOVE FUSE    |
| 33   | 081988   | 1    | DECAL EXERCISE INFO                |      |          |      |                               |

\* PART OF CONTROL PANEL WIRE HARNESS



## Section 7 – Exploded Views and Parts Lists

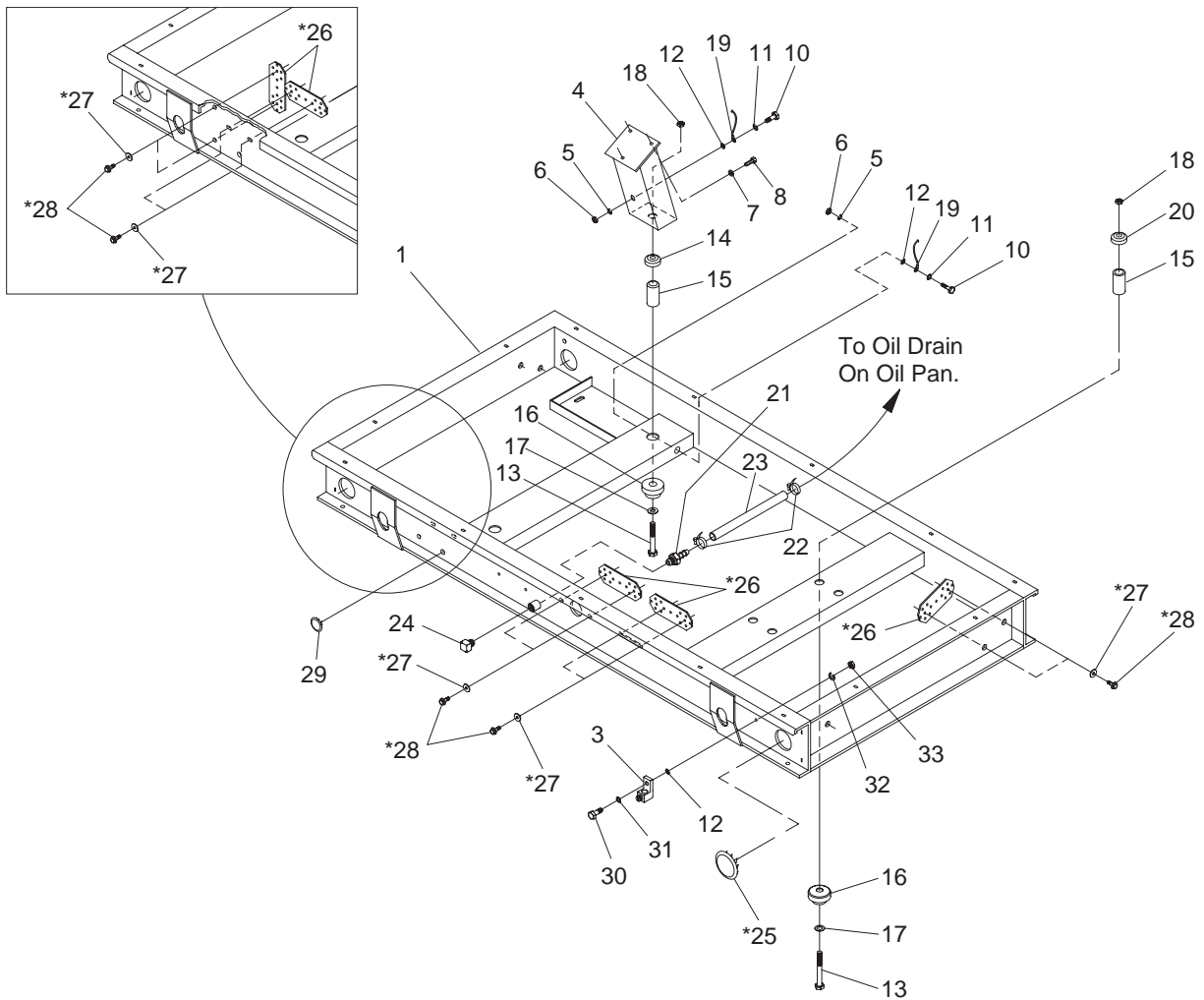
(Model No. 004373-2) Guardian Liquid-cooled 40 kW Generator  
Electronic Governor – Drawing No. 0A2615-F



| ITEM | PART NO. | QTY. | DESCRIPTION                       |
|------|----------|------|-----------------------------------|
| 1    | 098290   | 1    | ASSEMBLY MOTOR STEPPER            |
| 2    | 0A3439   | 1    | BRACKET GOVERNOR MOUNTING         |
| 3    | 098958A  | 1    | CONNECTOR INTERFACE ASSEMBLY      |
| 4    | 021888   | 1    | LEVER STEPPER MOTOR               |
| 5    | 082508   | 2    | BALL JOINT PLA .25-.28            |
| 9    | 036409   | 2    | NUT HEX 1/4-28 STEEL              |
| 11   | 043146   | 3    | SCREW HHC M6-1.0 X 10 G8.8        |
| 12   | 098941A  | 2    | HOUSING GOVERNOR CONNECT          |
| 13   | 098942A  | 2    | COVER CONN HOUSING                |
| 14   | 098225   | 4    | SCREW FHM #2 X 5/8 SELF TAP       |
| 15   | 022097   | 4    | WASHER LOCK M6-1/4                |
| 16   | 064526   | 1    | SCREW TAP HWH #6-25 X 3/8 ZINC    |
| 17   | 029333A  | 1    | TIE WRAP 7.4" X .19" BLACK UL     |
| 18   | 074031   | -    | LIQUID NEOPRENE (NOT SHOWN)       |
| 19   | 051716   | 2    | NUT HEX M5-0.8 G8 YEL CHR         |
| 20   | 049226   | 2    | WASHER LOCK M5                    |
| 21   | 076040   | 2    | SCREW PPHM M5-0.8 X 16            |
| 22   | 098647*  | 1    | ASSEMBLY L.C. ELECTRONIC GOVERNOR |
| 23   | 036409   | 2    | NUT HEX 1/4-28 STEEL              |
| 24   | 0C2184   | 1    | STUD THR 1/4-28 X 3-1/2 G2 ZINC   |

\* SERVICE REPLACEMENT PART IS SAME PART NUMBER WITH "KSRV" ADDED.

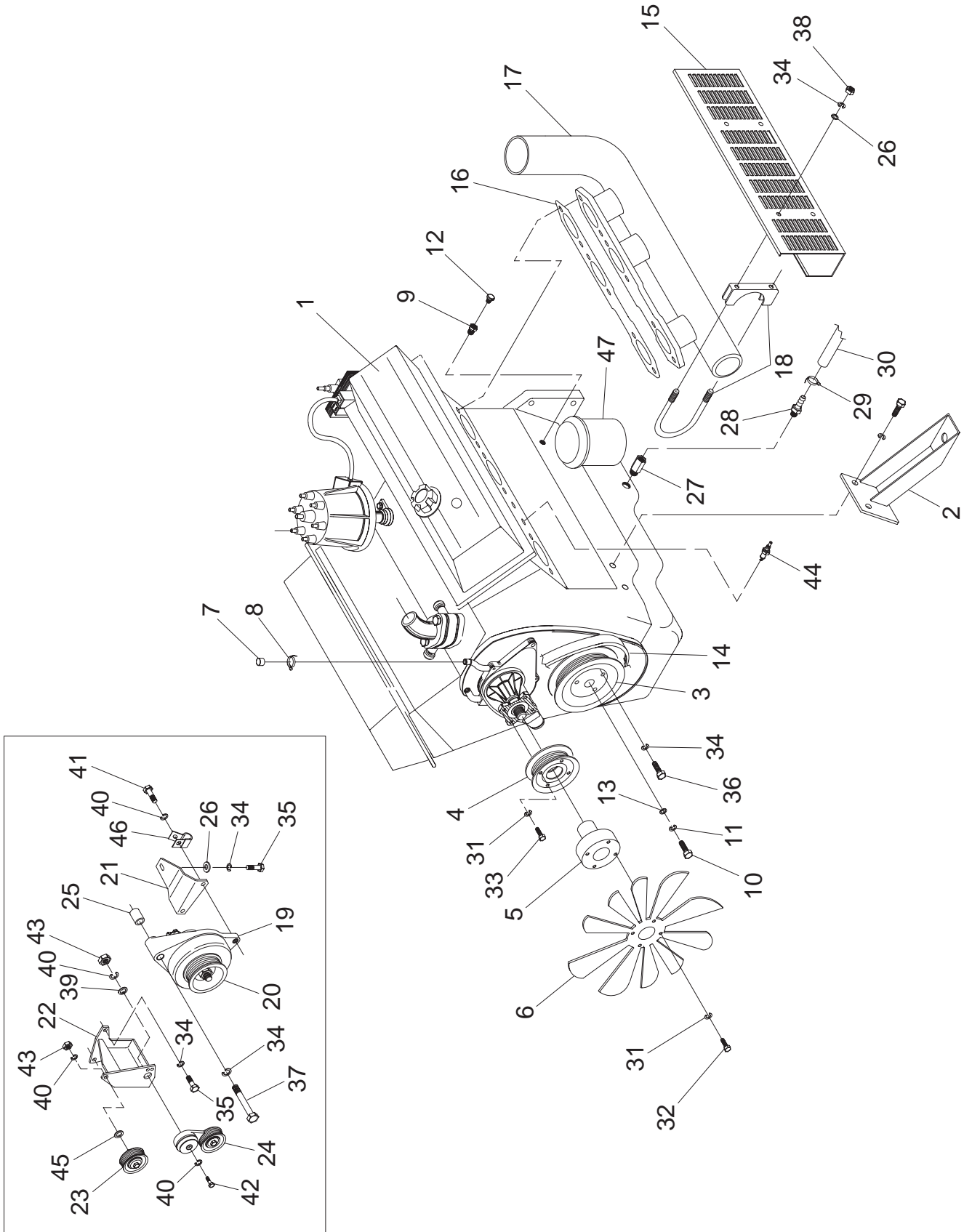
**Section 7 – Exploded Views and Parts Lists**  
**(Model Nos. 004373-2 & 004626-1) Guardian Liquid-cooled 40 kW Generator**  
**Mounting Base – Drawing No. 0C4399-D**



| ITEM | PART NO.   | QTY. | DESCRIPTION                             | ITEM  | PART NO. | QTY. | DESCRIPTION                      |
|------|------------|------|---|---|----------|------|----------------------------------|
| 1    | 0C3250     | 1    | ASSEMBLY BASE MOUNTING (DIRECT-COUPLED) | 22  | 057823   | 2    | CLAMP HOSE #10 .56 - 1.06        |
| 3    | 055414     | 1    | LUG SLDLSS #2-#8 X 17/64 CU             | 23  | 057448   | 11"  | HOSE 5/8 ID TYPE 3 SINGLE        |
| 4    | 0A4084     | 2    | MOUNT ENGINE (R&L)                      | 24  | 024310   | 1    | PLUG STD PIPE 1/2 STEEL SQ HD    |
| 5    | 022129     | 2    | WASHER LOCK M8-5/16                     | * 25  | 0A8785   | 4    | PLUG BUTTON 3" DIA.              |
| 6    | 045771     | 2    | NUT HEX M8-1.25 G8 YEL CHR              | * 26  | 0C4360   | 8    | PLATE VARMINT                    |
| 7    | 022237     | 6    | WASHER LOCK 3/8                         | * 27  | 071693   | 16   | WASHER FLAT .281 ID X 1.0 OD     |
| 8    | 029745     | 6    | SCREW HHC 3/8-16 X 1 G5                 | * 28  | 0C2454   | 16   | SCREW TH-FRM M6-1 X 16 N WA Z/JS |
| 10   | 043107     | 2    | SCREW HHC M8-1.25 X 25 G8.8             | * 29  | 0C4753   | 1    | PLUG 3/4 BUTTON                  |
| 11   | 022145     | 2    | WASHER FLAT 5/16 ZINC                   | 30  | 022413   | 1    | SCREW HHC 1/4-20 X 1 G5          |
| 12   | 027482     | 3    | WASHER SHAKEPROOF EXT 5/16 STL          | 31  | 022473   | 1    | WASHER FLAT 1/4 ZINC             |
| 13   | 055597     | 4    | SCREW HHC M12-1.75 X 85 G8.8            | 32  | 022097   | 1    | WASHER LOCK M6-1/4               |
| 14   | 052251     | 2    | DAMPENER VIBRATION 40 BLUE              | 33  | 022127   | 1    | NUT HEX 1/4-20 STEEL             |
| 15   | 052257     | 4    | SPACER .49 X .62 X 1.87 PWDR/ZINC       |   |          |      |                                  |
| 16   | 052252     | 4    | DAMPENER VIBRATION                      | NOTES: 1) * ITEMS 25, 26, 27, 28 & 29 ARE INCLUDED FOR UNITS WITH ENCLOSURES ONLY. NOT INCLUDED WITH OPEN SETS.   |          |      |                                  |
| 17   | 052259     | 4    | WASHER FLAT M12                         | 2) ITEM 25 (PLUG BUTTON 3" DIA.) IS USED AFTER SHIPPING. HOLES ARE TO REMAIN UNCOVERED FOR SHIPPING PURPOSES. PLUGS CAN BE FOUND IN THE MANUAL BAG LOCATED INSIDE THE LOWER CONNECTION BOX. |          |      |                                  |
| 18   | 052860     | 4    | NUT LOCKING M12-1.75                    |   |          |      |                                  |
| 19   | 0536210098 | 1    | ASSEMBLY GROUNDWIRE 10"/3/8             |   |          |      |                                  |
| 20   | 052251A    | 2    | DAMPENER VIBRATION 50 WHITE             |   |          |      |                                  |
| 21   | 044118     | 1    | BARBED STRAIGHT 1/2 NPT X 5/8           |   |          |      |                                  |

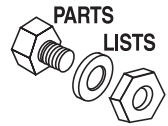
**Section 7 – Exploded Views and Parts Lists**

**(Model Nos. 004373-2 & 004626-1) Guardian Liquid-cooled 40 kW Generator  
Engine Common Parts – Drawing No. 0A4304-L**





**Section 7 – Exploded Views and Parts Lists**  
**(Model Nos. 004373-2 & 004626-1) Guardian Liquid-cooled 40 kW Generator**  
**Engine Common Parts – Drawing No. 0A4304-L**



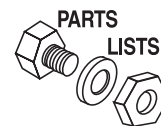
| ITEM | PART NO.   | QTY. | DESCRIPTION                                     |
|------|------------|------|---|
| 1*   | 0A9046     | 1    | ENGINE 4.3L GM                                  |
| 2    | 0A4084     | 2    | MOUNT, ENGINE (R & L)                           |
| 3    | 0A4239     | 1    | PULLEY CRANKSHAFT                               |
| 4    | 0A4240     | 1    | PULLEY WATER PUMP                               |
| 5    | 0A5640     | 1    | SPACER FAN 50MM 4.3L (35KW UNITS ONLY)          |
|      | 0A5640A    | 1    | SPACER FAN 62MM (45KW UNITS ONLY)               |
| 6    | 0A5639     | 1    | FAN 17" REVRS ROT (35KW UNITS ONLY)             |
|      | 0D3293A    | 1    | FAN COOLING 22" DIA REVRS ROT (45KW UNITS ONLY) |
| 7    | 077996     | 1    | CAP HOSE  |
| 8    | 057823     | 1    | CLAMP HOSE #10 .56 - 1.06                       |
| 9    | 035579     | 1    | BUSHING REDUCER 1/4 TO 1/8                      |
| 10   | 037065     | 1    | SCREW HHC 7/16-20 X 2-1/4 G5                    |
| 11   | 022302     | 1    | WASHER LOCK 7/16                                |
| 12   | 0A8584     | 1    | SWITCH OIL PRESSURE                             |
| 13   | 052644     | 1    | SPACER .5 X 1.5 X .25 STL/ZINC                  |
| 14   | 0A4278A    | 1    | BELT SERPENTINE 72.5"                           |
| 15   | 0A4930A    | 1    | HEAT SHIELD LEFT                                |
| 16   | 0A4085     | 1    | GASKET EXHAUST MANIFOLD                         |
| 17   | 0A3927     | 1    | MANIFOLD LEFT EXHAUST                           |
| 18   | 0C7947     | 2    | BOLT U 3/8-16 X 2.50                            |
| 19   | 0A1232     | 1    | DC ALTERNATOR ASSEMBLY                          |
| 20   | 0A7801B    | 1    | PULLEY PLOY-V 82 OD.                            |
| 21   | 021928     | 1    | BRACKET ALT. SUPPORT                            |
| 22   | 0C6239     | 1    | BRACKET MOUNTING WELD ASSEMBLY                  |
| 23   | 0A4241     | 1    | PULLEY GROOVED IDLER                            |
| 24   | 0C2885     | 1    | PULLEY TENSIONER                                |
| 25   | 0A5737C    | 1    | SPACER DC ALTERNATOR 34MM                       |
| 26   | 022131     | 8    | WASHER FLAT 3/8-M10 ZINC                        |
| 27   | 077456     | 1    | ADAPTOR M12-1.75 3/8 NPT                        |
| 28   | 044117     | 1    | BARBED STRAIGHT 3/8 NPT X 5/8                   |
| 29   | 057823     | 1    | CLAMP HOSE #10 .56 - 1.06                       |
| 30   | 057448     | 1    | HOSE 5/8 ID TYPE 3 SINGLE (12")                 |
| 31   | 022129     | 8    | WASHER LOCK M8-5/16                             |
| 32   | 022142     | 4    | SCREW HHC 5/16-18 X 3/4 G5 (45KW)               |
| 33   | 048614     | 4    | SCREW HHC 5/16-24 X 3/4 G5                      |
| 34   | 022237     | 12   | WASHER LOCK 3/8                                 |
| 35   | 029745     | 4    | SCREW HHC 3/8-16 X 1 G5                         |
| 36   | 042633     | 3    | SCREW HHC 3/8-24 X 1 G5                         |
| 37   | 033819     | 1    | SCREW HHC 3/8-16 X 4 G5                         |
| 38   | 022241     | 4    | NUT HEX 3/8-16 STEEL                            |
| 39   | 0A5768     | 1    | WASHER FLAT HEAVY DUTY                          |
| 40   | 046526     | 5    | WASHER LOCK M10                                 |
| 41   | 049814     | 2    | SCREW HHC M10-1.5 X 25 G8.8                     |
| 42   | 0C3756     | 1    | BOLT TENSIONER PULLEY                           |
| 43   | 045772     | 2    | NUT HEX M10-1.5 G8 YEL CHR                      |
| 44   | 0D2514     | 8    | SPARK PLUG 5.7L GM                              |
| 45   | 052259     | 1    | WASHER FLAT M12                                 |
| 46   | 055934D    | 1    | CLAMP VINYL 1.06 X .406 Z                       |
| 47   | 0A37970001 | 1    | FILTER OIL                                      |

\*For internal engine parts use Engine Parts Manual P/N 0D3749.

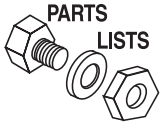


## Section 7 — Exploded Views and Parts Lists

**(Model Nos. 004373-2 & 004626-1) Guardian Liquid-cooled 40 kW Generators  
Engine Parts – Drawing No. 0D6980-B**

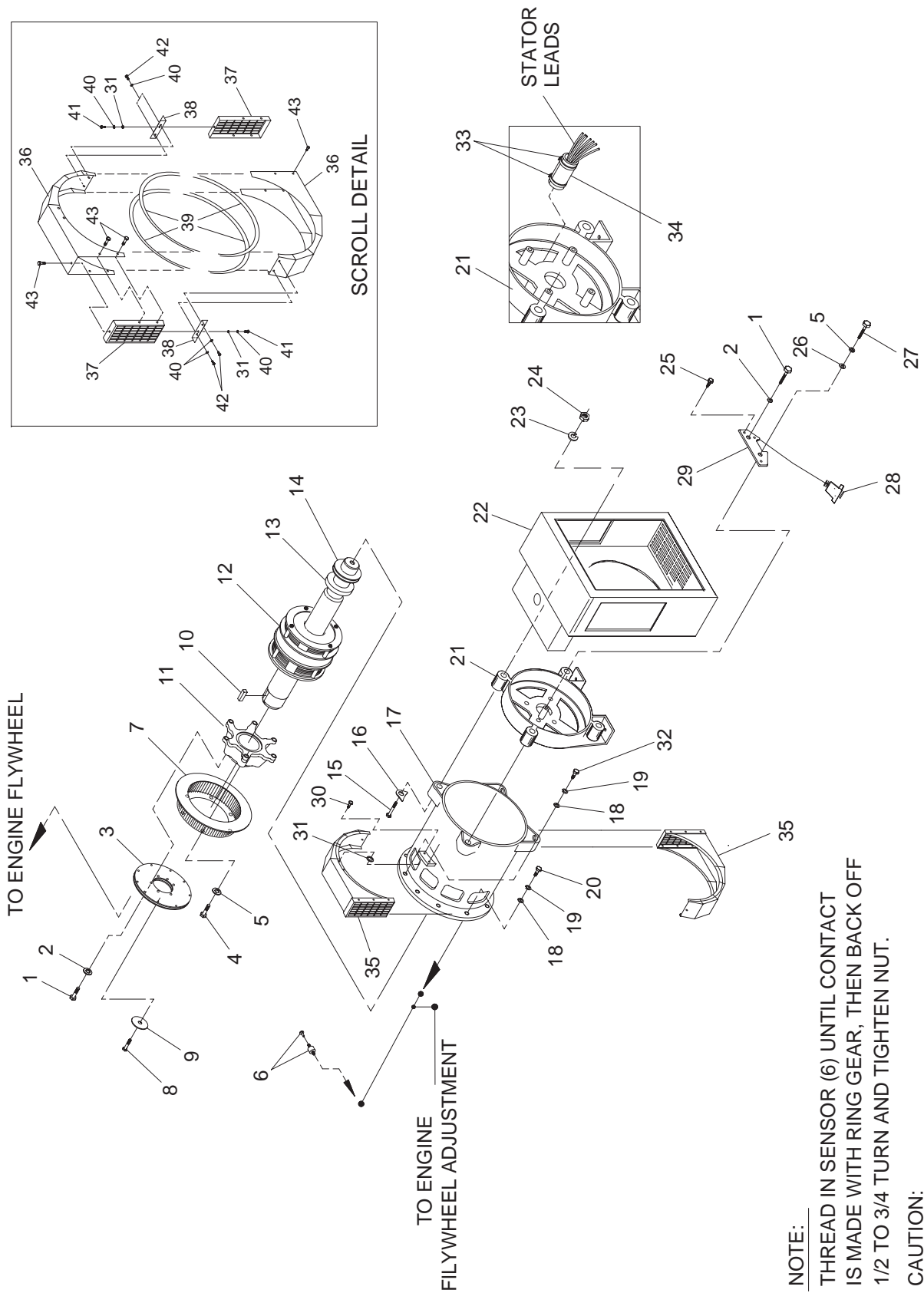


| ITEM | PART NO. | QTY. | DESCRIPTION  |
|------|----------|------|--|
| 1    | 0A9046   | 1    | ENGINE 4.3L GM   |
| 2    | 0A9118A  | 1    | FLYWHL 4.3L GM SAE                                       |
| 3    | 070022   | 1    | WASHER STAR M12 EXT                                      |
| 4    | 0A6021   | 6    | SCREW HHC 7/16-20 X 1 G8                                 |
| 6    | 059056A  | 1    | STARTER 5.7L/7.4L GM                                     |
| 8    | 0A9050   | 2    | BOLT STARTER 4.3L  |
| 9    | 022237   | 17   | WASHER LOCK 3/8  |
| 10   | 045772   | 1    | NUT HEX M10-1.5 G8 YEL CHR                               |
| 11   | 049226   | 1    | WASHER LOCK M5   |
| 12   | 051716   | 1    | NUT HEX M5-0.8 G8 YEL CHR                                |
| 13   | 0A4244   | 1    | CONNECTOR COIL TO DISTRIBUTOR                            |
| 14   | 0A4215   | 1    | DIP STICK 4.3L GM  |
| 15   | 0A4231   | 1    | TUBE DIP STICK 4.3L                                      |
| 16   | 059057   | 10"  | HOSE 3/4 ID SAE-30R2                                     |
| 17   | 0A2440   | 2    | GASKET THERMOSET   |
| 18   | 026568   | 2    | SCREW HHC 3/8-16 X 2-3/4 G5                              |
| 19   | 099729A  | 1    | HOUSING THERM IMPREX                                     |
| 20   | 061012   | 1    | PLUG STD PIPE 1/8 SOCKET HEAD                            |
| 21   | 069939   | 1    | HOUSING THERMOSTAT/WATER INLET                           |
| 22   | 035606   | 1    | SENSOR HI COOLANT SHUTDOWN                               |
| 23   | 0A4930B  | 1    | HEAT SHIELD RIGHT  |
| 24   | 0A4084   | 1    | MOUNT ENGINE   |
| 25   | 029745   | 3    | SCREW HHC 3/8-16 X 1 G5                                  |
| 26   | 044101   | 2    | BRACKET SUPPORT SPARK PLUG WIRE                          |
| 27   | 023152   | 2    | SCREW HHC 3/8-16 X 3/4 G5                                |
| 28   | 022131   | 2    | WASHER FLAT 3/8-M10 ZINC                                 |
| 29   | 058030   | 2    | RETAINER PLUG WIRES                                      |
| 30   | 0A4085   | 1    | GASKET EXHAUST MANIFOLD                                  |
| 31   | 0A3928   | 1    | MANIFOLD RIGHT EXHAUST                                   |
| 32   | 0C7947   | 2    | BOLT U 3/8-16 X 2.50                                     |
| 33   | 057794   | 2    | RETAINER SPARK PLUG WIRES                                |
| 34   | 0A4277   | 1    | WIRES SPARK PLUG 4.3L                                    |
| 35   | 022241   | 4    | NUT HEX 3/8-16 STEEL                                     |
| 36   | 057795   | 1    | CONNECTOR C/C VENT                                       |
| 37   | 048191   | 2    | PIN DOWEL M10 X 24                                       |
| 38   | 032303   | 6    | SCREW HHC 3/8-16 X 3-1/2 G5                              |
| 39   | 0A3852   | 3    | PLATE FLEX GM  |
| 40   | 098239   | 1    | CASTING ADAPTOR  |
| 41   | 057522   | 1    | SENSOR COOLANT LEVEL                                     |
| 42   | 0D2244M  | 1    | ASSY MAGPICKUP (3/8-24 MALE) (MODEL 004626 ONLY)         |
| 43   | 075885   | 1    | THERMOSTAT 195 DEG                                       |
| *    | 0D6979   | 1    | 40KW GUARDIAN WIRE HARNESS (NOT SHOWN FOR MOD. 004626-0) |
| *    | 0A4308   | 1    | HARNESS 4.3L STD WIRE (NOT SHOWN FOR MOD. 004373-1)      |



## Section 7 – Exploded Views and Parts Lists

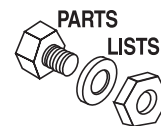
(Model Nos. 004373-2 & 004626-1) Guardian Liquid-cooled 40 kW Generators  
Generator – Drawing No. 0D9490



**NOTE:**  
THREAD IN SENSOR (6) UNTIL CONTACT IS MADE WITH RING GEAR, THEN BACK OFF 1/2 TO 3/4 TURN AND TIGHTEN NUT.

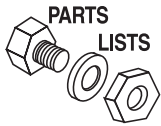
**CAUTION:**  
DO NOT ROTATE ENGINE DURING THIS ADJUSTMENT.

**Section 7 – Exploded Views and Parts Lists**  
**(Model Nos. 004373-2 & 004626-1) Guardian Liquid-cooled 40 kW Generators**  
**Generator – Drawing No. 0D9490**



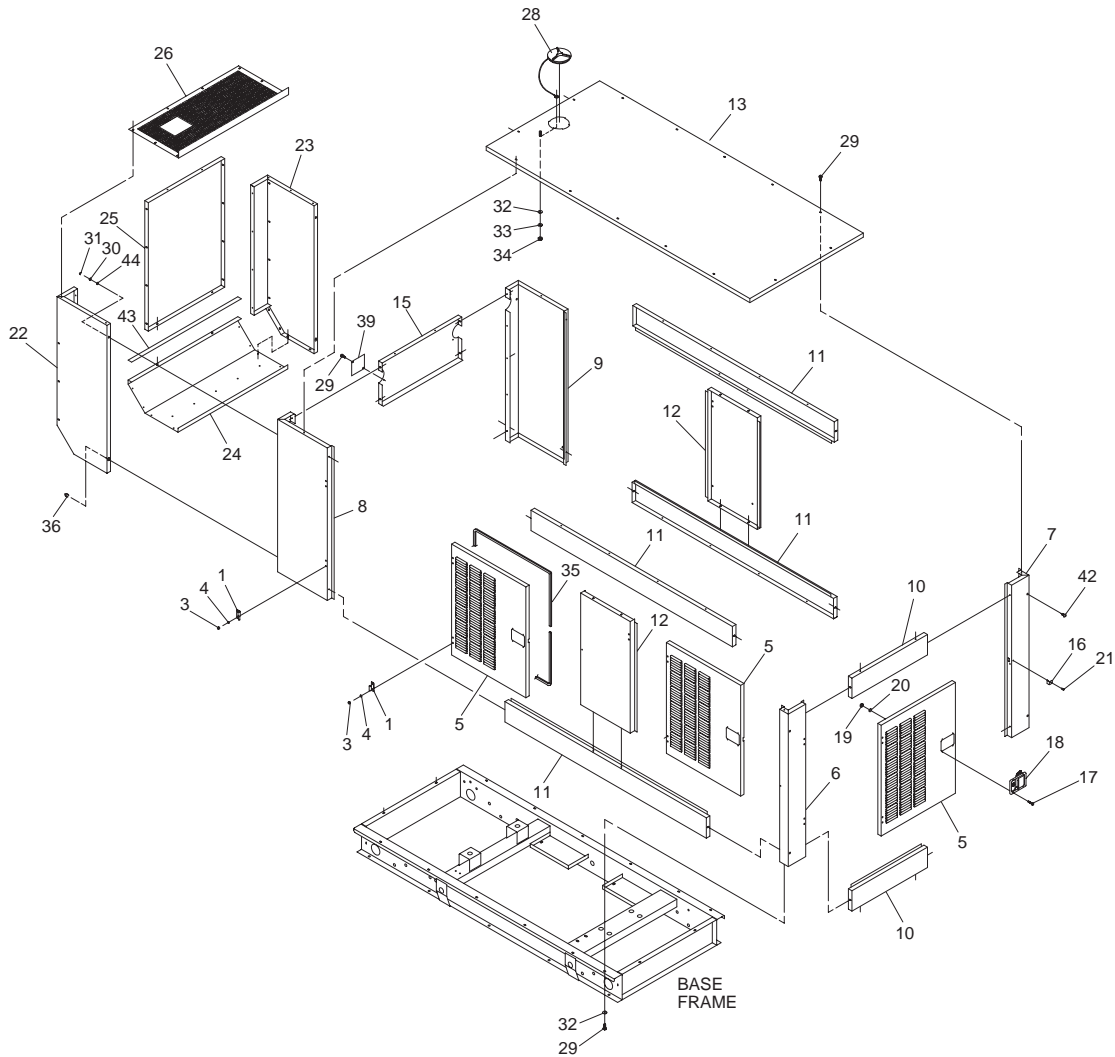
| ITEM             | PART NO. | QTY.   | DESCRIPTION                         |
|------------------|----------|--------|-------------------------------------|
| 1                | 051768   | 7      | SCREW HHC M12-1.75 X 25 G8.8        |
| 2                | 051769   | 7      | WASHER LOCK M12                     |
| 3                | 0A8240   | 2      | FLEX PLATE SAE10                    |
| 4                | 039253   | 6      | SCREW HHC M8-1.25 X 20 G8.8         |
| 5                | 022129   | 7      | WASHER LOCK M8-5/16                 |
| 6                | 082130D  | 1      | ASSEMBLY MAG PICKUP 72"             |
| 7                | 0C4286   | 1      | ASSEMBLY FAN W/PRESS DISC 10.75 X 3 |
| 8*               | 0A2601   | 1      | SCREW HHC M16-2.0 X 45 G8.8         |
| 9*               | 0A2602   | 1      | WASHER FLAT .688 ID X 3.25 OD       |
| 10*              | 0A1138   | 1      | KEY SQ 3/8 X 2-1/2 STEEL            |
| 11*              | 021941   | 1      | COUPLER 390 SAE                     |
| 12               | 020808A  | 1      | ROTOR 390 40 1P DIRECT              |
| 13*              | 052624   | 1      | BEARING BALL 6212 SEALED            |
| 14*              | 070892   | 1      | SLIP RING -MACHINED-                |
| 15               | 0A5580   | 4      | SCREW HHC M14-2.0 X 140 G8.8        |
| 16               | 0A1633   | 4      | WASHER 390 SAE ALT.                 |
| 17               | 020729A  | 1      | STATOR 390 40 AD2 SAE               |
| 18               | 022131   | 12     | WASHER FLAT 3/8-M10 ZINC            |
| 19               | 022237   | 11     | WASHER LOCK 3/8                     |
| 20               | 022511   | 11     | SCREW HHC 3/8-16 X 1-1/4 G5         |
| 21               | 068113   | 1      | CARRIER REAR BEARING 15"            |
| 22               | 068115   | 1      | LOWER PANEL 15                      |
| 23               | 043123   | 4      | WASHER LOCK M14                     |
| 24               | 051779   | 4      | NUT HEX M14-2.0 G8 YEL CHR          |
| 25               | 046852   | 1      | SCREW HHTT #10-32 X 1/4 CZ          |
| 26               | 022145   | 1      | WASHER FLAT 5/16 ZINC               |
| 27               | 039287   | 4      | SCREW HHC M8-1.25 X 45 G8.8 FT      |
| 28               | 071641   | 1      | BRUSH HOLDER ASSEMBLY               |
| 29               | 071639   | 1      | HOLDER BRUSH SUPPORT                |
| 30               | 0A2110   | 2      | SCREW SWAGE 1/4-20 X 1/2 Z/YC       |
| 31               | 022473   | 8      | WASHER FLAT 1/4 ZINC                |
| 32               | 022746   | 1      | SCREW HHC 3/8-16 X 1-3/4 G5         |
| 33               | 031980   | 2      | TIE WRAP UL 14.6 X .14 NATL         |
| 34               | 083549   | 1      | SLEEVE RUBBER                       |
| 35               | 0A4089   | 1      | ASSEMBLY SCROLL 390 SAE             |
| KIT 0A4089 PARTS |          |        |                                     |
| 36               | 0A2491   | 2      | SHROUD ALTERNATOR SHEET METAL       |
| 37               | 0A2497   | 2      | SCREEN SHROUD SAE                   |
| 38               | 0A2496   | 2      | BRACKET TENSIONER SAE SCROLL        |
| 39               | 056326   | 8.4 FT | TRIM VINYL BLACK 1/8 GP             |
| 40               | 022097   | 6      | WASHER LOCK M6-1/4                  |
| 41               | 045757   | 2      | SCREW HHC M6-1.0 X 25 G8.8          |
| 42               | 047411   | 4      | SCREW HHC M6-1.0 X 16 G8.8          |
| 43               | 0A2110   | 12     | SCREW SWAGE 1/4-20 X 1/2 Z/YC       |

\* ROTOR REPLACEMENT PARTS



## Section 7 – Exploded Views and Parts Lists

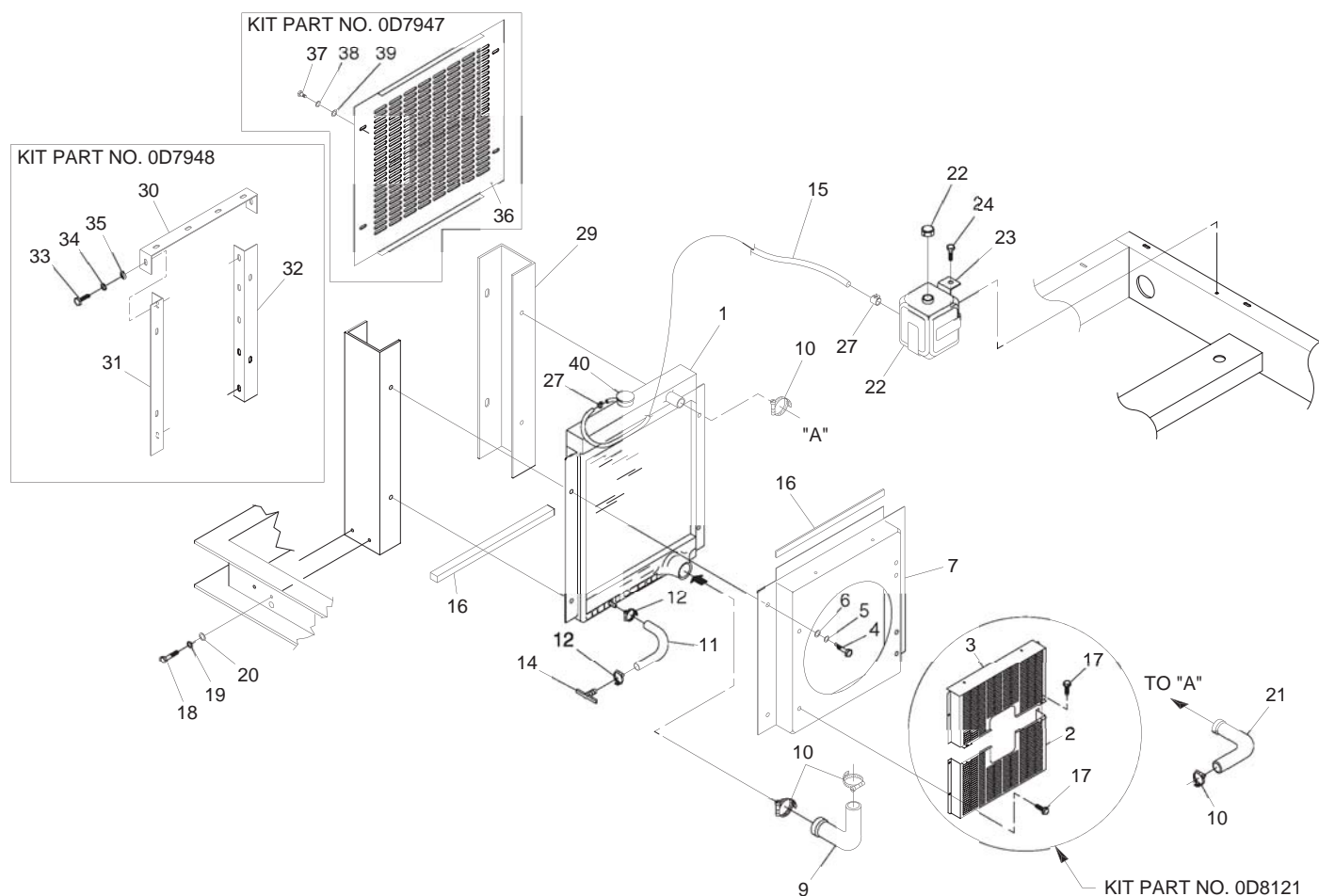
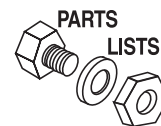
(Model Nos. 004373-2 & 004626-1) Guardian Liquid-cooled 40 kW Generators  
Compartment – Drawing No. 0D8992



| ITEM | PART NO.   | QTY. | DESCRIPTION                    | ITEM | PART NO.   | QTY.     | DESCRIPTION                    |
|------|------------|------|--------------------------------|------|------------|----------|--------------------------------|
| 1    | 0C3594     | 10   | ASSEMBLY M6 HINGE              | 23   | 0C4064 (A) | 1        | DUCT FRONT RH                  |
| 3    | 0A3359     | 40   | SCREW BHSC M6-1.0 X 16 SS      | 24   | 0C4066 (A) | 1        | DUCT BOTTOM                    |
| 4    | 0A3360     | 40   | SHAKEPROOF INT M6 SS           | 25   | 0C4067 (A) | 1        | DUCT FRONT PANEL               |
| 5    | 0C2522 (A) | 5    | DOOR SMALL STD. WELD           | 26   | 0C4117 (A) | 1        | DUCT FRONT TOP RH              |
| 6    | 0C2527 (A) | 1    | CORNER POST LH REAR            | 28   | 0C2634A    | 1        | ASSEMBLY COVER ACCESS          |
| 7    | 0C2528 (A) | 1    | CORNER POST RH REAR            | 29   | 0C2454     | 76       | SCREW TH-FRM M6-1X16 N WA Z/JS |
| 8    | 0C2535 (A) | 1    | CORNER POST LH FRONT           | 30   | 022129     | 2        | WASHER LOCK M8-5/16            |
| 9    | 0C2536 (A) | 1    | CORNER POST RH FRONT           | 31   | 042907     | 2        | SCREW HHC M8-1.25 X 16 G8.8    |
| 10   | 0C2547 (A) | 2    | REAR BRACE TOP & BOTTOM        | 32   | 022473     | 15       | WASHER FLAT M6-1/4 ZINC        |
| 11   | 0C2550 (A) | 4    | SIDE BRACE TOP & BOTTOM        | 33   | 022097     | 1        | WASHER LOCK M6-1/4             |
| 12   | 0C2555 (A) | 2    | SIDE SUPPORT                   | 34   | 022127     | 1        | NUT HEX 1/4-20 STEEL           |
| 13   | 0C2560 (A) | 1    | ROOF ONE-PIECE WLDMT           | 35   | 0A9881     | 49.1 FT. | GASKET DOOR RUBBER             |
| 15   | 0D7904 (A) | 1    | FRONT BRACE TOP                | 36   | 0C3393     | 2        | SCREW SHOULDER                 |
| 16   | 0C2633     | 5    | PLATE STRIKER                  | 39   | 0C3400 (A) | 1        | COVER EXHAUST HOLE             |
| 17   | 0C6749     | 20   | SCREW PPHM M4-0.7 X 12 SS      | 42   | 0C3397     | 4        | FASTENER RATCHET               |
| 18   | 060069     | 5    | PADDLE HANDLE LOCK             | 43   | 066760     | 39-3/8"  | STRIP SEALANT 1/8 X 1          |
| 19   | 0C6748     | 20   | NUT LOCK HEX M4-0.7 SS NYL INS | 44   | 022145     | 2        | WASHER FLAT 5/16 ZINC          |
| 20   | 080490     | 20   | WASHER FLAT #8 SS              |      |            |          |                                |
| 21   | 087233     | 5    | RIVET POP 3/16 X 1/4           |      |            |          |                                |
| 22   | 0C4065 (A) | 1    | DUCT FRONT LH                  |      |            |          |                                |

OPTIONAL COMPARTMENT MATERIALS: ALL P/N'S WITH AN "A" SUFFIX INDICATE ALUMINUM MATERIAL OPTION.

**Section 7 – Exploded Views and Parts Lists**  
**(Model Nos. 004373-2 & 004626-1) Guardian Liquid-cooled 40 kW Generators**  
**Radiator – Drawing No. 0D7992-D**

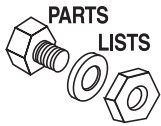


| ITEM | PART NO. | QTY. | DESCRIPTION                  |
|------|----------|------|------------------------------|
| 1    | 0D7825   | 1    | RADIATOR COPPER BRASS        |
| 2    | 0D8251   | 1    | FAN GUARD BOTTOM             |
| 3    | 0D8252   | 1    | FAN GUARD TOP                |
| 4    | 024655   | 4    | SCREW HHTT 1/4-20 X 1 CZ     |
| 5    | 022097   | 4    | WASHER LOCK M6-1/4           |
| 6    | 022473   | 4    | WASHER FLAT 1/4 ZINC         |
| 7    | 0D7174   | 1    | VENTURI 4.3L 22" FAN         |
|      | 0D7174A  | 1    | VENTURI 4.3L 17" FAN         |
| 9    | 0D7870   | 1    | RADIATOR HOSE LOWER          |
| 10   | 035685   | 4    | CLAMP HOSE #28 1.32 - 2.25   |
| 11   | 047290   | 1    | HOSE 3/8 ID SINGLE BRAID     |
| 12   | 040173   | 2    | CLAMP HOSE #5.5 .62 - .62    |
| 14   | 036865   | 1    | DRAINCOCK                    |
| 15   | 029032   | 1    | HOSE 9/32 ID (64" LG)        |
| 16   | 052250   | 3    | TAPE FOAM 1 X 1 (29" LG)     |
| 17   | 058443   | 10   | SCREW CRIMPTITE 1/4-20 X 5/8 |
| 18   | 029745   | 4    | SCREW HHC 3/8-16 X 1 G5      |
| 19   | 022237   | 4    | WASHER LOCK 3/8              |
| 20   | 022131   | 4    | WASHER FLAT 3/8-M10 ZINC     |
| 21   | 0D7850   | 1    | RADIATOR HOSE UPPER          |

| ITEM  | PART NO. | QTY. | DESCRIPTION                          |
|-------|----------|------|--------------------------------------|
| 22    | 076749   | 1    | BOTTLE COOLANT RECOVERY              |
| 23    | 0D7975   | 1    | WATER BOTTLE BRACKET                 |
| 24    | 090388   | 1    | SCREW HHTT M6-1.0 X 12 YC            |
| 27    | 048031C  | 1    | CLAMP HOSE BAND 1/4                  |
| 29    | 0C4341   | 2    | SUPPORT RADIATOR A GRP               |
| 30 *  | 0A6984   | 1    | BRACKET AIR DUCT TOP/BOT             |
| 31 *  | 0D7942   | 1    | SUPPORT AIR DUCT RH SIDE             |
| 32 *  | 0D7943   | 1    | SUPPORT AIR DUCT LH SIDE             |
| 33 *  | 022413   | 8    | SCREW HHC 1/4-20 X 1 G5              |
| 34 *  | 022097   | 8    | WASHER LOCK M6-1/4                   |
| 35 *  | 022473   | 8    | WASHER FLAT 1/4 ZINC                 |
| 36 ** | 0D7924   | 1    | SCREEN FRONT                         |
| 37 ** | 024655   | 4    | SCREW HHTT 1/4-20 X 1 CZ             |
| 38 ** | 022097   | 4    | WASHER LOCK M6-1/4                   |
| 39 ** | 022473   | 4    | WASHER FLAT 1/4 ZINC                 |
| 40    | 090283   | 1    | CAP RADIATOR 13 PSI-FOR SERVICE ONLY |

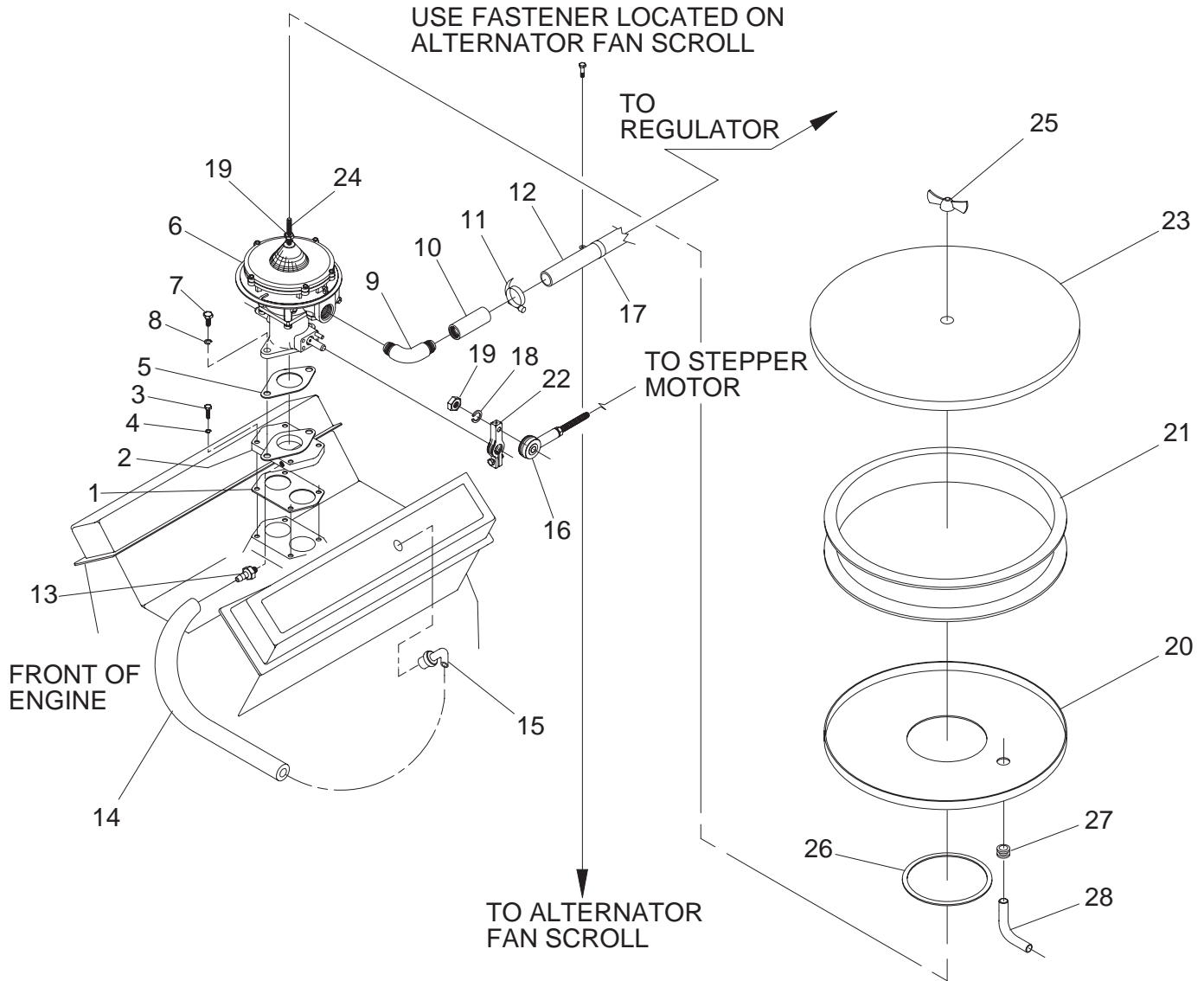
\* OPTIONAL WITH KIT 0D7948

\*\* OPTIONAL WITH KIT 0D7947



## Section 7 – Exploded Views and Parts Lists

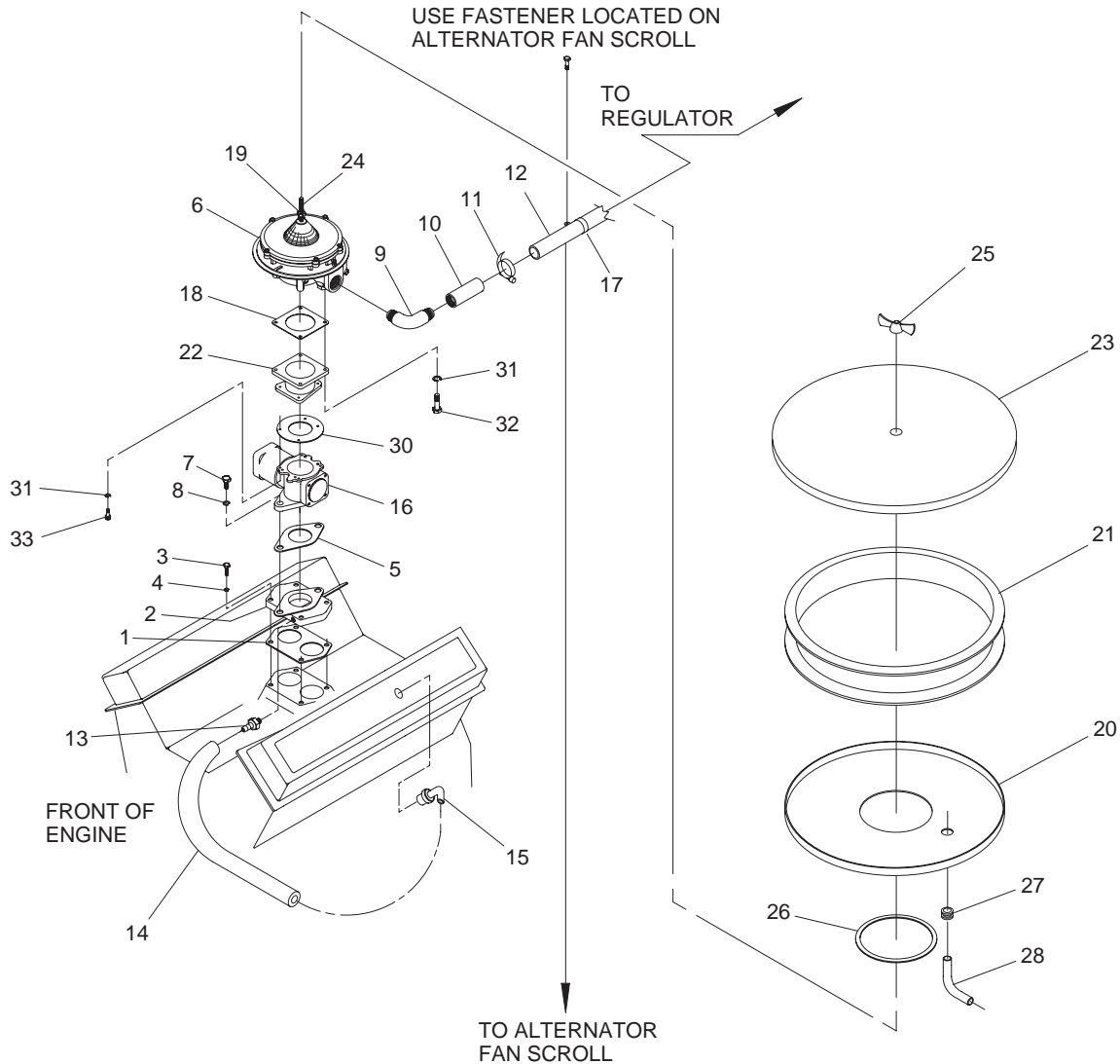
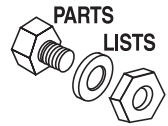
(Model No. 004373-2) Guardian Liquid-cooled 40 kW Generators  
Carburetor – Drawing No. 0A5764-G



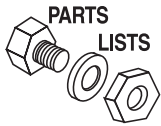
| ITEM | PART NO. | QTY. | DESCRIPTION                                    | ITEM | PART NO. | QTY. | DESCRIPTION                       |
|------|----------|------|--|------|----------|------|-----------------------------------|
| 1    | 064945   | 1    | GASKET CARBURETOR ADAPTOR                      | 13   | 0A6344   | 1    | BARBED ELBOW 90 DEG 1/8 NPT X 3/8 |
| 2    | 0A4120   | 1    | ADAPTOR CARBURETOR W/INLET                     | 14   | 047290   | 1    | HOSE 3/8 ID SINGLE BRAID (9")     |
| 3    | 033212   | 4    | SCREW HHC 5/16-18 X 1-1/4 G5                   | 15   | 0A4121   | 1    | VALVE PCV                         |
| 4    | 022129   | 4    | WASHER LOCK M8-5/16                            | 16   | 082508   | 1    | BALL JOINT PLA .25-28             |
| 5    | 052865   | 1    | GASKET CARBURETOR                              | 17   | 055934Z  | 1    | CLAMP VINYL 1.13 X .406 Z         |
| 6    | 0A7631   | 1    | CARB. REWORK 4.3L (NATURAL GAS + VAPOR)        | 18   | 022097   | 1    | WASHER LOCK M6-1/4                |
|      | 0C5716   | 1    | CARBURETOR REWORK (LPG LIQUID)                 | 19   | 036409   | 2    | NUT HEX 1/4-28 STEEL              |
| 7    | 029745   | 2    | SCREW HHC 3/8-16 X 1 G5                        | 20   | 0A4632B  | 1    | PLATE AIR CLEANER BOTTOM          |
| 8    | 022237   | 2    | WASHER LOCK 3/8                                | 21   | 0A4637   | 1    | FILTER AIR 11.5"                  |
| 9    | 026307   | 1    | ELBOW 90 DEG STREET 3/4                        | 22   | 0A5763   | 1    | ARM THROTTLE-REWORK               |
| 10   | 028641   | 1    | NIPPLE TOE 3/4 NPT X 2                         | 23   | 0A4632A  | 1    | PLATE AIR CLEANER TOP             |
| 11   | 057824   | 1    | CLAMP HOSE #16 .87 - 1.50                      | 24   | 062522   | 1    | STUD TH 1/4-20 X 3 G2 ZNC FULL    |
| 12   | 057422   | 1    | HOSE 1IN ID LP GAS (NATURAL GAS + VAPOR) (42") | 25   | 037561   | 1    | NUT WING 1/4-20 NYLK              |
|      | 057422   | 1    | HOSE 1IN ID LP GAS (LPG LIQUID) (12")          | 26   | 061258   | 1    | GASKET AIR CLEANER                |
|      |          |      |  | 27   | 057796   | 1    | GROMMET                           |
|      |          |      |  | 28   | 057795   | 1    | CONNECTOR C/C VENT                |



**Section 7 – Exploded Views and Parts Lists**  
**(Model No. 004626-1) Guardian Liquid-cooled 40 kW Generators**  
**Carburetor – Drawing No. 0D6977-B**

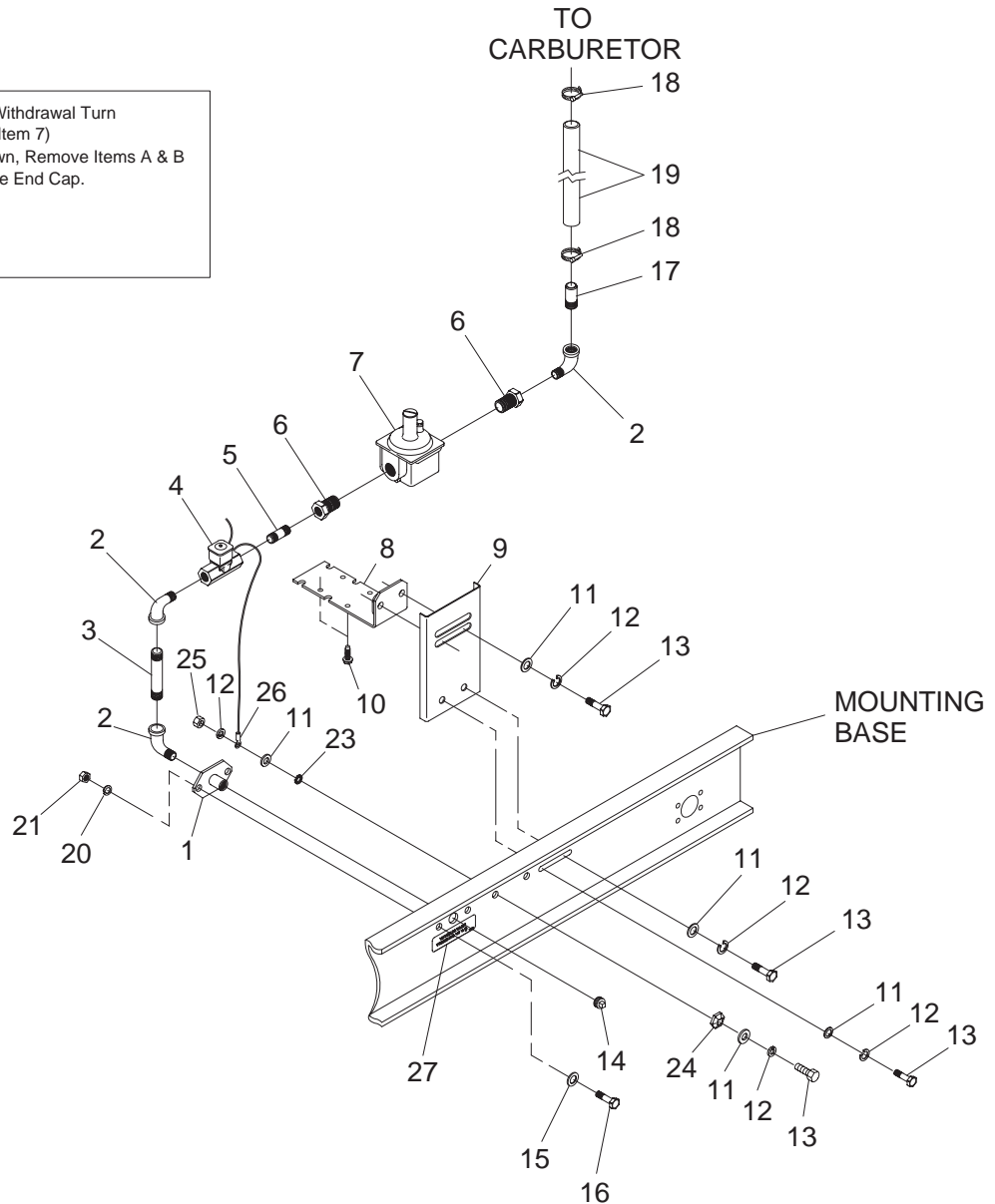
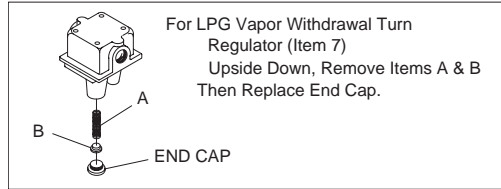


| ITEM | PART NO. | QTY. | DESCRIPTION                               | ITEM | PART NO. | QTY. | DESCRIPTION                      |
|------|----------|------|---|------|----------|------|----------------------------------|
| 1    | 064945   | 1    | GASKET CARBURETOR ADAPTOR                 | 17   | 055934Z  | 1    | CLAMP VINYL 1.13 X .406 Z        |
| 2    | 0A4120   | 1    | ADAPTOR CARBURETOR W/INLET                | 18   | 0A6613   | 1    | GASKET CARB IMPCO 225            |
| 3    | 033212   | 4    | SCREW HHC 5/16-18 X 1-1/4 G5              | 19   | 036409   | 1    | NUT HEX 1/4-28 STEEL             |
| 4    | 022129   | 4    | WASHER LOCK M8-5/16                       | 20   | 0A4632B  | 1    | PLATE AIR CLEANR BOTTOM          |
| 5    | 0C7059   | 1    | GASKET GOVERNOR THROTTLE BODY             | 21   | 0A4637   | 1    | FILTER AIR 11.5" CA326           |
| 6    | 0C7650A  | 1    | MIXER (ONLY) NATURAL GAS                  | 22   | 0C7820   | 1    | MACHINING CARBURETOR ADAPTOR     |
| 7    | 029745   | 2    | SCREW HHC 3/8-16 X 1 G5                   | 23   | 0A4632A  | 1    | PLATE AIR CLEANER TOP            |
| 8    | 022237   | 2    | WASHER LOCK 3/8                           | 24   | 062522   | 1    | STUD THR 1/4-20 X 3 F THR G2 ZNC |
| 9    | 026307   | 1    | ELBOW 90 DEG STREET 3/4                   | 25   | 037561   | 1    | NUT WING 1/4-20 NYLK             |
| 10   | 028641   | 1    | NIPPLE TOE (THREADED ONE END) 3/4 NPT X 2 | 26   | 061258   | 1    | GASKET AIR CLEANER               |
| 11   | 057824   | 1    | CLAMP HOSE #16 .87-1.50                   | 27   | 057796   | 1    | GROMMET                          |
| 12   | 057422   | 44"  | HOSE 1 IN ID LP GAS                       | 28   | 057795   | 1    | CONNECTOR C/C VENT               |
| 13   | 0A6344   | 1    | BARBED ELBOW 90 1/8 NPT X 3/8             | 30   | 0C7060   | 1    | GASKET CARBURETOR ADAPTOR        |
| 14   | 047290   | 9"   | HOSE 3/8 ID SINGLE BRAID                  | 31   | 022152   | 8    | WASHER LOCK #10                  |
| 15   | 0A4121   | 1    | VALVE PCV                                 | 32   | 064090   | 4    | SCREW PHM SEMS #12-24 X 5/8 EX   |
| 16   | 0D2803   | 1    | ACTUATOR THROTTLE 42MM                    | 33   | 0C7908   | 4    | SCREW SHC #10-32 X 5/8 G8.8 NZ   |



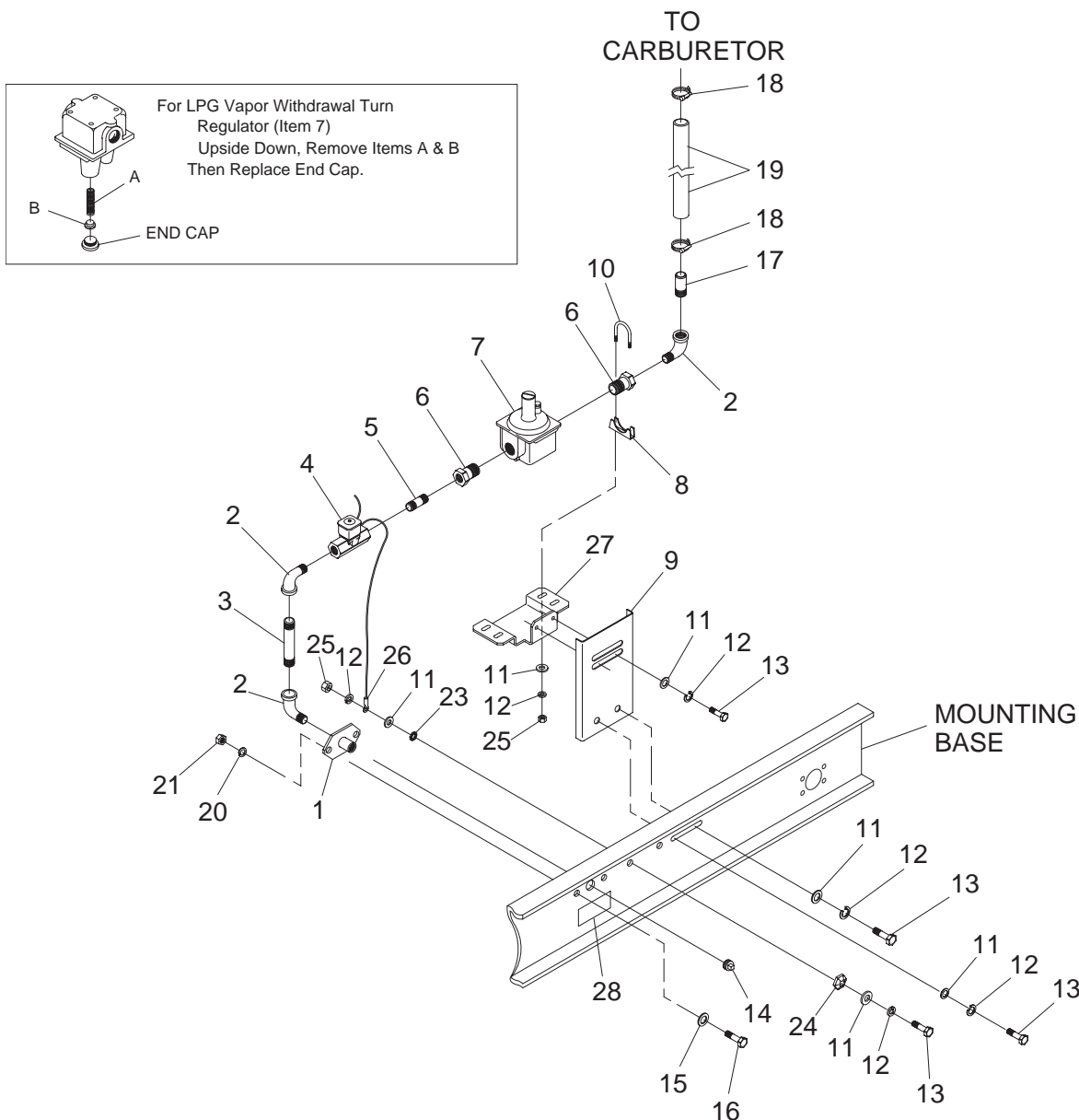
## Section 7 – Exploded Views and Parts Lists

(Model No. 004373-2) Guardian Liquid-cooled 40 kW Generators  
Regulator – Drawing No. 0C2776-D

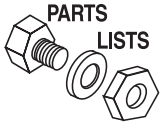


| ITEM | PART NO. | QTY. | DESCRIPTION                       | ITEM | PART NO. | QTY. | DESCRIPTION                        |
|------|----------|------|-----------------------------------|------|----------|------|------------------------------------|
| 1    | 065907   | 1    | SUPPORT SOLENOID NAT GAS          | 15   | 022132   | 2    | WASHER FLAT 9/16 ZINC              |
| 2    | 026307   | 3    | ELBOW 90 DEG STREET 3/4           | 16   | 051778   | 2    | SCREW HHC M14-2.0 X 25 G8.8        |
| 3    | 076691   | 1    | NIPPLE PIPE 3/4 NPT X 4.5 BLK IRN | 17   | 028641   | 1    | NIPPLE TOE 3/4 NPT X 2             |
| 4    | 043768A  | 1    | SOLENOID GAS FUEL                 | 18   | 057824   | 2    | CLAMP HOSE #16 .87 - 1.50          |
| 5    | 026490   | 1    | NIPPLE PIPE 3/4 NPT X 2           | 19   | 057422   | 1    | HOSE 1IN ID LP GAS                 |
| 6    | 026577   | 2    | BUSHING REDUCER 1 TO 3/4          | 20   | 043123   | 2    | WASHER LOCK M14                    |
| 7    | 055944   | 1    | REGULATOR NAT GAS LPG VAPOR       | 21   | 051779   | 2    | NUT HEX M14-2 G8 YEL CHR           |
| 8    | 067018   | 1    | SUPPORT REGULATOR                 | 23   | 027482   | 1    | WASHER SHAKEPROOF EXT 5/16 STL     |
| 9    | 0C2775   | 1    | BRACKET REGULATOR 4.3L            | 24   | 0C3168   | 1    | WASHER LOCK SPECIAL 5/16           |
| 10   | 061910   | 4    | SCREW HHTT #10-24 X 3/4 YC        | 25   | 022259   | 1    | NUT HEX 5/16-18 STEEL              |
| 11   | 022145   | 6    | WASHER FLAT 5/16 ZINC             | 26   | 058359   | 1    | LUG RNGTNG INS 22-18 X 5/16 X .477 |
| 12   | 022129   | 6    | WASHER LOCK M8-5/16               | 27   | 0D1509   | 1    | DECAL INLET PRESSURE               |
| 13   | 030795   | 4    | SCREW HHC 5/16-18 X 1 G5          |      |          |      |                                    |
| 14   | 025655   | 1    | PLUG STD PIPE 3/4 STEEL SQ HD     |      |          |      |                                    |

**Section 7 – Exploded Views and Parts Lists**  
**(Model No. 004626-1) Guardian Liquid-cooled 40 kW Generators**  
**Regulator – Drawing No. 0D4823-B**

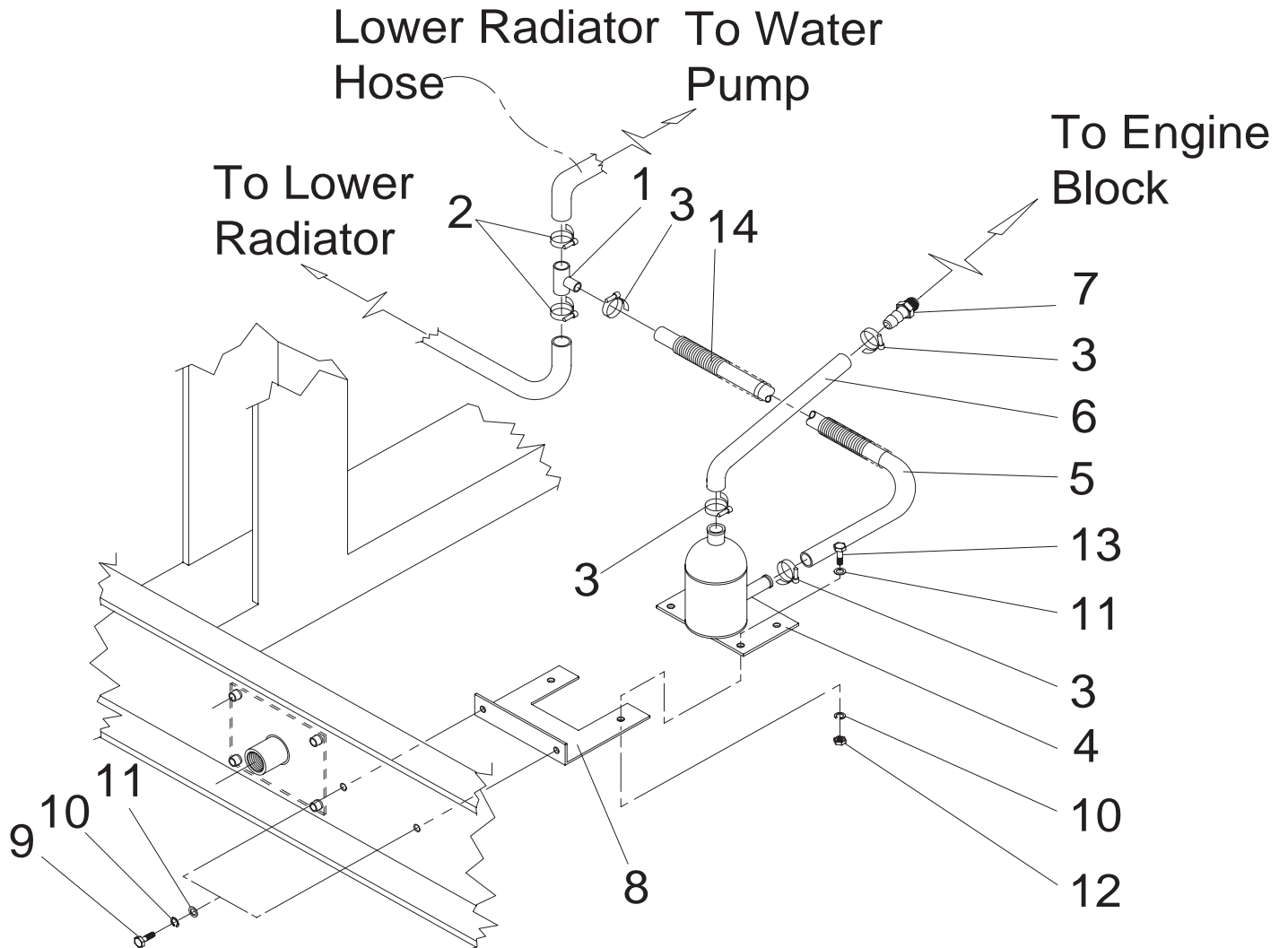


| ITEM | PART NO. | QTY. | DESCRIPTION                       | ITEM | PART NO. | QTY. | DESCRIPTION                        |
|------|----------|------|-----------------------------------|------|----------|------|------------------------------------|
| 1    | 065907   | 1    | SUPPORT SOLENOID NAT GAS          | 15   | 022132   | 2    | WASHER FLAT 9/16 ZINC              |
| 2    | 026307   | 3    | ELBOW 90 DEG STREET 3/4           | 16   | 051778   | 2    | SCREW HHC M14-2.0 X 25 G8.8        |
| 3    | 076691   | 1    | NIPPLE PIPE 3/4 NPT X 4.5 BLK IRN | 17   | 028641   | 1    | NIPPLE TOE 3/4 NPT X 2             |
| 4    | 043768A  | 1    | SOLENOID GAS FUEL                 | 18   | 057824   | 2    | CLAMP HOSE #16 .87-1.50            |
| 5    | 026490   | 1    | NIPPLE PIPE 3/4 NPT X 2           | 19   | 057422   | 1    | HOSE 1 IN ID LP GAS                |
| 6    | 026577   | 2    | BUSHING REDUCER 1 TO 3/4          | 20   | 043123   | 2    | WASHER LOCK M14                    |
| 7    | 0D2758   | 1    | REGULATOR N/G (R600S)             | 21   | 051779   | 2    | NUT HEX M14-2 G8 YEL CHR           |
| 8    | 028237   | 2    | SADDLE 1-3/8                      | 23   | 027482   | 1    | WASHER SHAKEPROOF EXT 5/16 STL     |
| 9    | 0C2775   | 1    | BRACKET REGULATOR                 | 24   | 0C3168   | 1    | WASHER LOCK SPECIAL 5/16           |
| 10   | 028238   | 2    | BOLT U 5/16-18 X 1.53             | 25   | 022259   | 5    | NUT HEX 5/16-18 STEEL              |
| 11   | 022145   | 10   | WASHER FLAT 5/16 ZINC             | 26   | 058359   | 1    | LUG RNGTNG INS 22-18 X 5/16 X .477 |
| 12   | 022129   | 10   | WASHER LOCK M8-5/16               | 27   | 0D2616   | 1    | SUPPORT REGULATOR                  |
| 13   | 030795   | 4    | SCREW HHC 5/16-18 X 1 G5          | 28   | 0D1509   | 1    | DECAL INLET PRESSURE               |
| 14   | 025655   | 1    | PLUG STD PIPE 3/4 STEEL SQ HD     |      |          |      |                                    |



**Section 7 – Exploded Views and Parts Lists**

**(Model Nos. 004373-2 & 004626-1) Guardian Liquid-cooled 40 kW Generators  
Engine Coolant Heater – Drawing No. 087434-D**

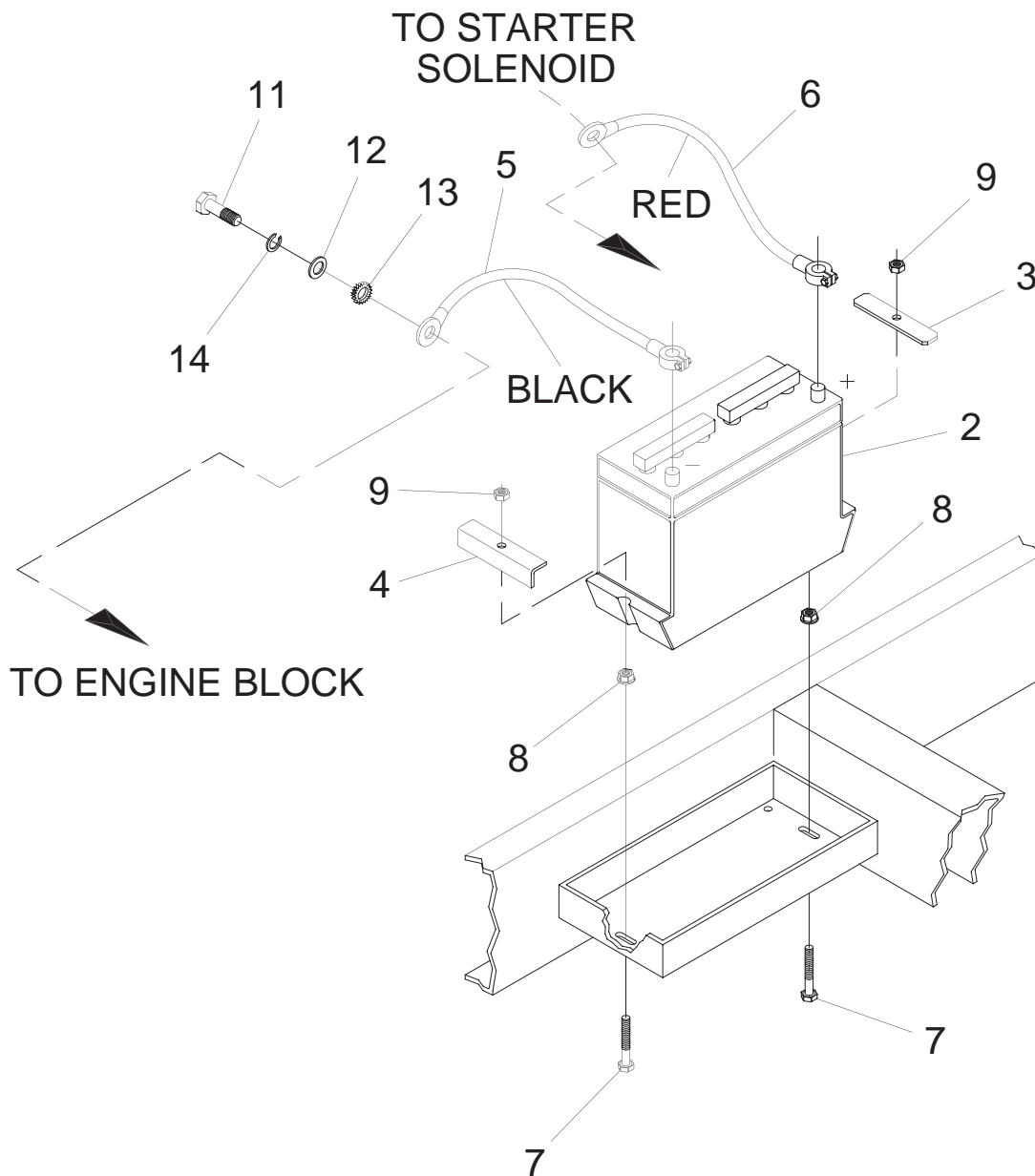
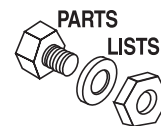


| ITEM | PART NO.  | QTY. | DESCRIPTION                    |
|------|-----------|------|--------------------------------|
| 1    | 080723    | 1    | HOSE CONNECTION TEE 1.75-.62   |
| 2    | 035685    | 2    | CLAMP, HOSE #28 1.32-2.25      |
| 3    | 057822    | 4    | CLAMP, HOSE #8 .53-1.00        |
| 4    | 084918C   | 1    | HEATER, ENGINE 1800W 120V.     |
|      | *084918D  | 1    | HEATER, ENGINE 2000W 240V.     |
| 5    | 050967    | 1    | HOSE, 5/8" I.D. RIA 250F (36") |
| 6    | 0A6283    | 1    | HOSE, PREFORMED BLOCK HEATER   |
| 7    | 053660    | 1    | BARBED ST. 1/4" NPT x 5/8 I.D. |
| 8    | 084427    | 1    | BRACKET, HEATER                |
| 9    | 047411    | 2    | SCREW HHC M6-1.0 X 16 G8.8     |
| 10   | 022097    | 4    | WASHER, LOCK-M6-1/4            |
| 11   | 022473    | 4    | WASHER, FLAT 1/4 ZINC          |
| 12   | 049813    | 2    | NUT, HEX-M6 X 1.00 G8 YEL CHR  |
| 13   | 042568    | 2    | SCREW, HHC-M6-1.0 x 20MM G8.8  |
| 14   | **077043E | 36"  | FLEXIBLE CONDUIT 1" BLACK      |

\*USED ON "R" VOLTAGE GENERATORS ONLY

\*\*ITEM #14 USED ONLY ON 4.3L UNITS

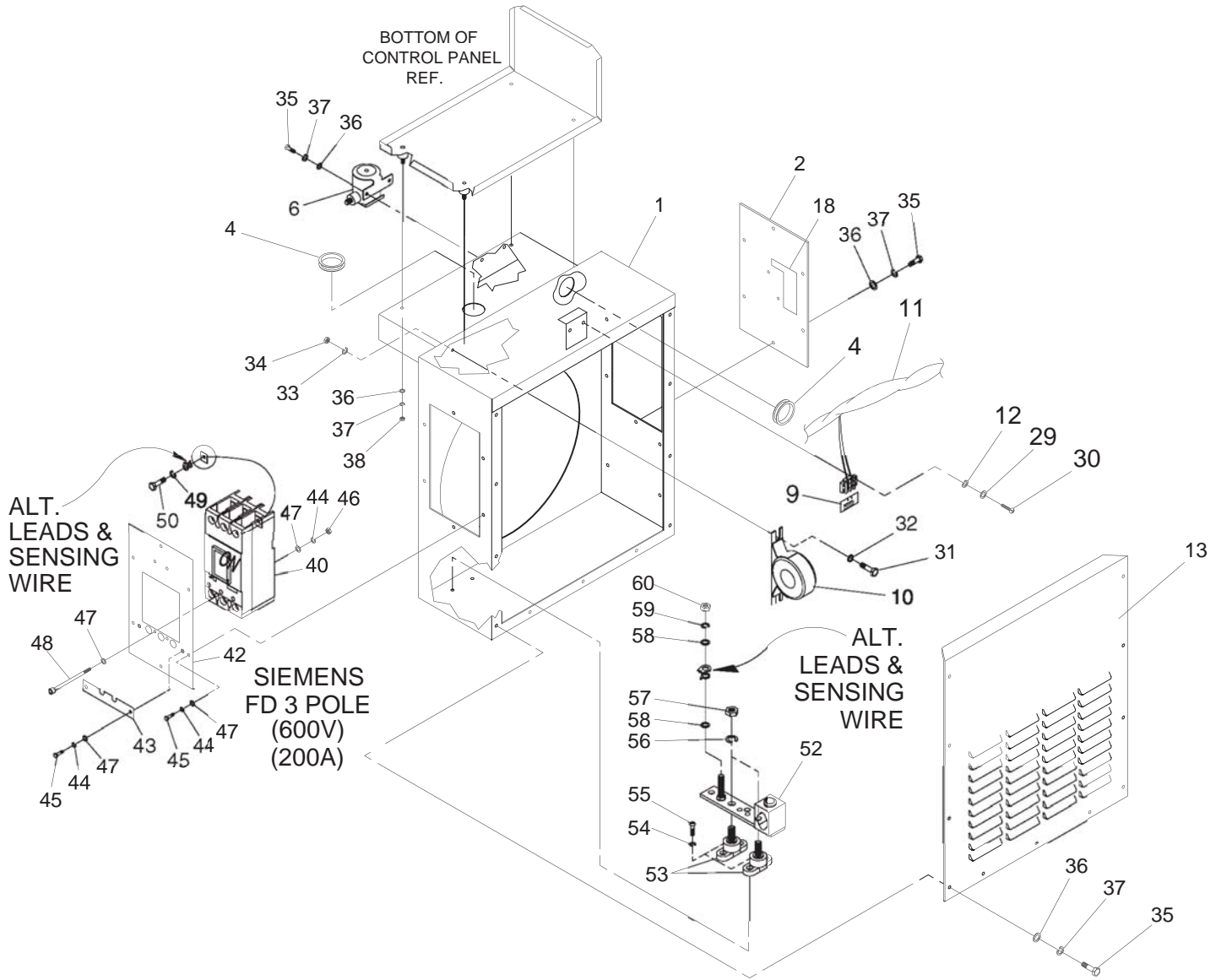
**Section 7 – Exploded Views and Parts Lists**  
**(Model Nos. 004373-2 & 004626-1) Guardian Liquid-cooled 40 kW Generators**  
**Battery – Drawing No. 0A6708-G**



| ITEM | PART NO. | QTY. | DESCRIPTION  |
|------|----------|------|--|
| 2    | 058665   | 1    | BATTERY 12VDC 90-AH 27F (OPTIONAL)                         |
| 3    | 061902   | 1    | HOLD DOWN BATTERY  |
| 4    | 059473   | 1    | HOLD DOWN BATTERY  |
| 5    | 038805H  | 1    | CABLE BATTERY BLACK #1 X 23.00                             |
| 6    | 038804N  | 1    | CABLE BATTERY RED #1 X 15.00                               |
|      | 038804T  | 1    | CABLE BATTERY RED #1 X 31.00 (GEAR BOX-NON-GUARDIAN UNITS) |
| 7    | 0A4010   | 2    | SCREW HHC M8-1.25 X 60 FTHD                                |
| 8    | 052858   | 2    | NUT LOCK M8  |
| 9    | 049820   | 2    | NUT LOCK HEX M8-1.25 (NYLON INSERT)                        |
| 11   | 023152   | 1    | SCREW HHC 3/8-16 X 3/4 G5                                  |
| 12   | 022131   | 1    | WASHER FLAT M10-3/8 ZINC                                   |
| 13   | 025507   | 1    | WASHER SHAKEPROOF EXT 7/16 STL                             |
| 14   | 022237   | 1    | WASHER LOCK 3/8  |

**Section 7 – Exploded Views and Parts Lists**

**(Model Nos. 004373-2 & 004626-1) Guardian Liquid-cooled 40 kW Generators  
Lower Panel – Drawing No. 0D8848-B**

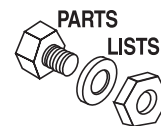


**RECOMMENDED TERMINAL TIGHTENING TORQUES  
FOR CIRCUIT BREAKER AND NEUTRAL BLOCK**

| ITEM # | DESCRIPTION               | RING TERMINALS FROM ALTERNATOR | FASTEN COMPRESSION LUG TO CIRCUIT BREAKER | STRIPPED END OF STRANDED CABLE TO COMPRESSION LUG |
|--------|---------------------------|--------------------------------|---|---|
| 40     | CIRCUIT BREAKER LINE SIDE | 30 FT-LB                       | NA  | NA  |
| 40     | CIRCUIT BREAKER LOAD SIDE | NA                             | 12.5 FT-LB                                | 23 FT-LB  |
| 52     | NEUTRAL BLOCK             | 19 FT-LB                       | NA  | 23 FT-LB  |

## Section 7 — Exploded Views and Parts Lists

**(Model Nos. 004373-2 & 004626-1) Guardian Liquid-cooled 40 kW Generators  
Lower Panel – Drawing No. 0D8848-B**

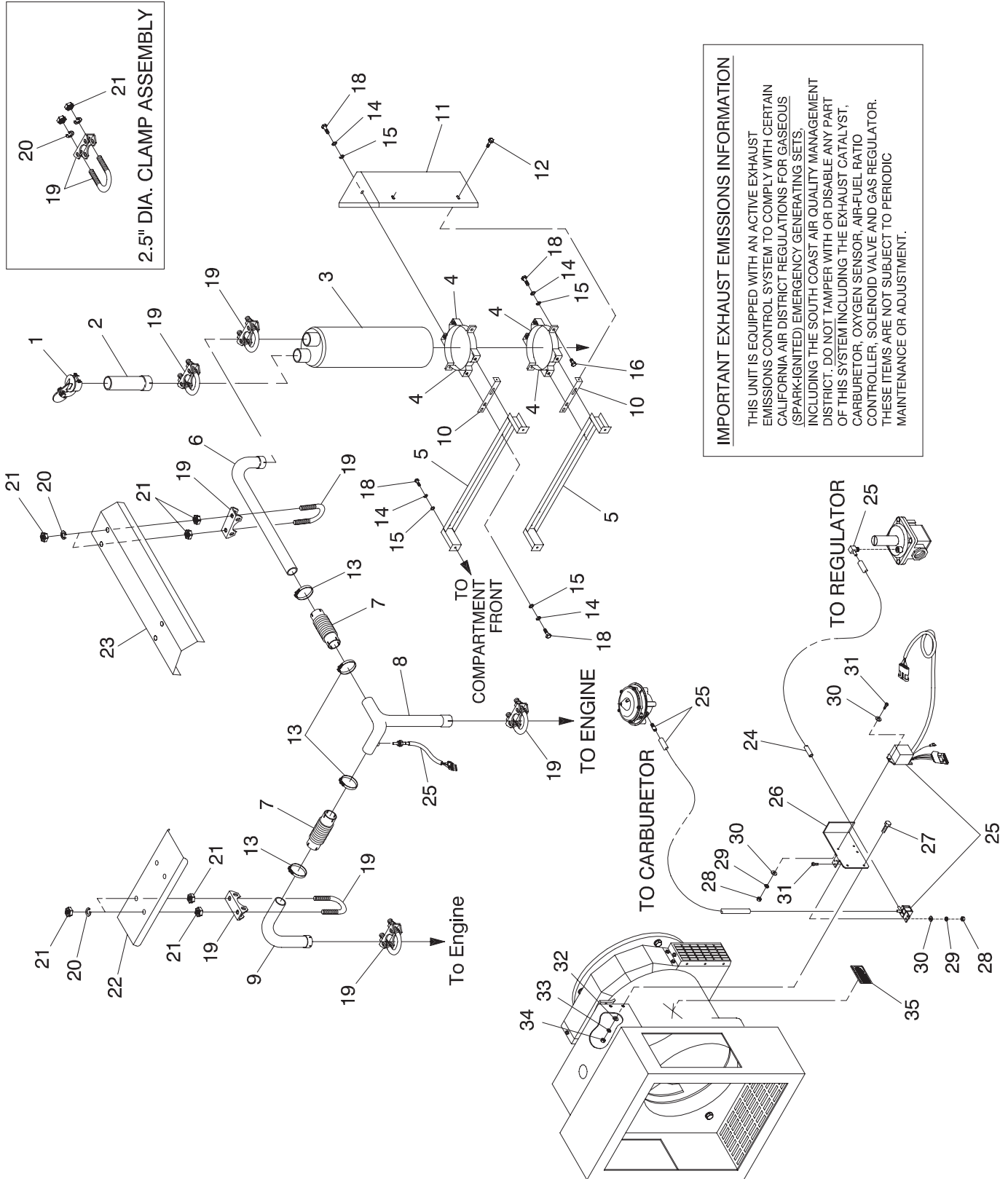


| ITEM | PART NO. | QTY. | DESCRIPTION                    |
|------|----------|------|--------------------------------|
| 1    | 068115   | 1    | LOWER PANEL 15                 |
| 2    | 0D5489   | 1    | COVER LOWER CONNECTION BOX     |
| 4    | 023484N  | 2    | BUSHING SNAP SB-2.5-31         |
| 6    | 056739   | 1    | RELAY SOLENOID 12VDC PNL MNT   |
| 9    | 0D3388   | 1    | DECAL REMOTE START CONNECTION  |
| 10   | 058710   | 2    | TRANSFORMER 200A TO 5A 5VA     |
| 11   | 0D5492   | 1    | HARNESS LOWER PANEL 4.3L GRDN  |
|      | (048766) | REF. | BLOCK TERM 20A 2 X 6 X 1100V   |
| 12   | 022985   | 2    | WASHER FLAT #6 ZINC            |
| 13   | 068116   | 1    | COVER LOWER PANEL 15           |
| 18   | 0D5840   | 1    | DECAL CUSTOMER CONNECTN FOR TS |
| 29   | 022264   | 2    | WASHER LOCK M4                 |
| 30   | 0C2212   | 2    | SCREW PHTT M4-0.7 X 16 ZYC     |
| 31   | 022142   | 4    | SCREW HHC 5/16-18 X 3/4 G5     |
| 32   | 022145   | 4    | WASHER FLAT 5/16 ZINC          |
| 33   | 022129   | 4    | WASHER LOCK M8-5/16            |
| 34   | 045771   | 4    | NUT HEX M8-1.25 G8 YEL CHR     |
| 35   | 022287   | 19   | SCREW HHC 1/4-20 X 3/4 G5      |
| 36   | 022473   | 23   | WASHER FLAT 1/4 ZINC           |
| 37   | 022097   | 23   | WASHER LOCK M6-1/4             |
| 38   | 022127   | 4    | NUT HEX 1/4-20 STEEL           |
| 40   | 0D5574   | 1    | CB 0200A 3P 600V S FD6 LL      |
| 42   | 0D5689   | 1    | PLATE CB MOUNT S (FD) 390S     |
| 43   | 0D5693   | 1    | COVER CB TERMINALS S (FD 3P)   |
| 44   | 022097   | 12   | WASHER LOCK M6-1/4             |
| 45   | 022287   | 8    | SCREW HHC 1/4-20 X 3/4 G5      |
| 46   | 022127   | 12   | NUT HEX 1/4-20 STEEL           |
| 47   | 022473   | 4    | WASHER FLAT 1/4 ZINC           |
| 48   | 081320   | 4    | SCREW SHC 1/4-20 X 4.5 G8.8 NZ |
| 49   | 022237   | 3    | WASHER LOCK 3/8                |
| 50   | 048527   | 3    | SCREW SHC 3/8-16 X 3/4 G5      |
| 52   | 0D5464B  | 1    | NEUTRAL BLOCK 390/200-400A     |
| 53   | 057073   | 2    | JUNCTION BLOCK 3/8-16          |
| 54   | 022152   | 4    | WASHER LOCK #10                |
| 55   | 033530   | 4    | SCREW PHM #10-32 X 5/8 CAD     |
| 56   | 022237   | 2    | WASHER LOCK 3/8                |
| 57   | 022241   | 2    | NUT HEX 3/8-16 STEEL           |
| 58   | 022145   | 2    | WASHER FLAT 5/16 ZINC          |
| 59   | 022129   | 1    | WASHER LOCK M8-5/16            |
| 60   | 045771   | 1    | NUT HEX M8-1.25 G8 YEL CHR     |



## Section 7 – Exploded Views and Parts Lists

(Model No 004626-1) Guardian Liquid-cooled 40 kW Generators  
Exhaust Muffler – Drawing No. 0D6976-B

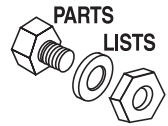


**IMPORTANT EXHAUST EMISSIONS INFORMATION**

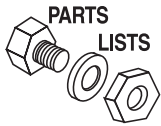
THIS UNIT IS EQUIPPED WITH AN ACTIVE EXHAUST EMISSIONS CONTROL SYSTEM TO COMPLY WITH CERTAIN CALIFORNIA AIR DISTRICT REGULATIONS FOR GASEOUS (SPARK-IGNITED) EMERGENCY GENERATING SETS, INCLUDING THE SOUTH COAST AIR QUALITY MANAGEMENT DISTRICT. DO NOT TAMPER WITH OR DISABLE ANY PART OF THIS SYSTEM INCLUDING THE EXHAUST CATALYST, CARBURETOR, OXYGEN SENSOR, AIR-FUEL RATIO CONTROLLER, SOLENOID VALVE AND GAS REGULATOR. THESE ITEMS ARE NOT SUBJECT TO PERIODIC MAINTENANCE OR ADJUSTMENT.



**Section 7 – Exploded Views and Parts Lists**  
**(Model No 004626-1) Guardian Liquid-cooled 40 kW Generators**  
**Exhaust Muffler – Drawing No. 0D6976-B**

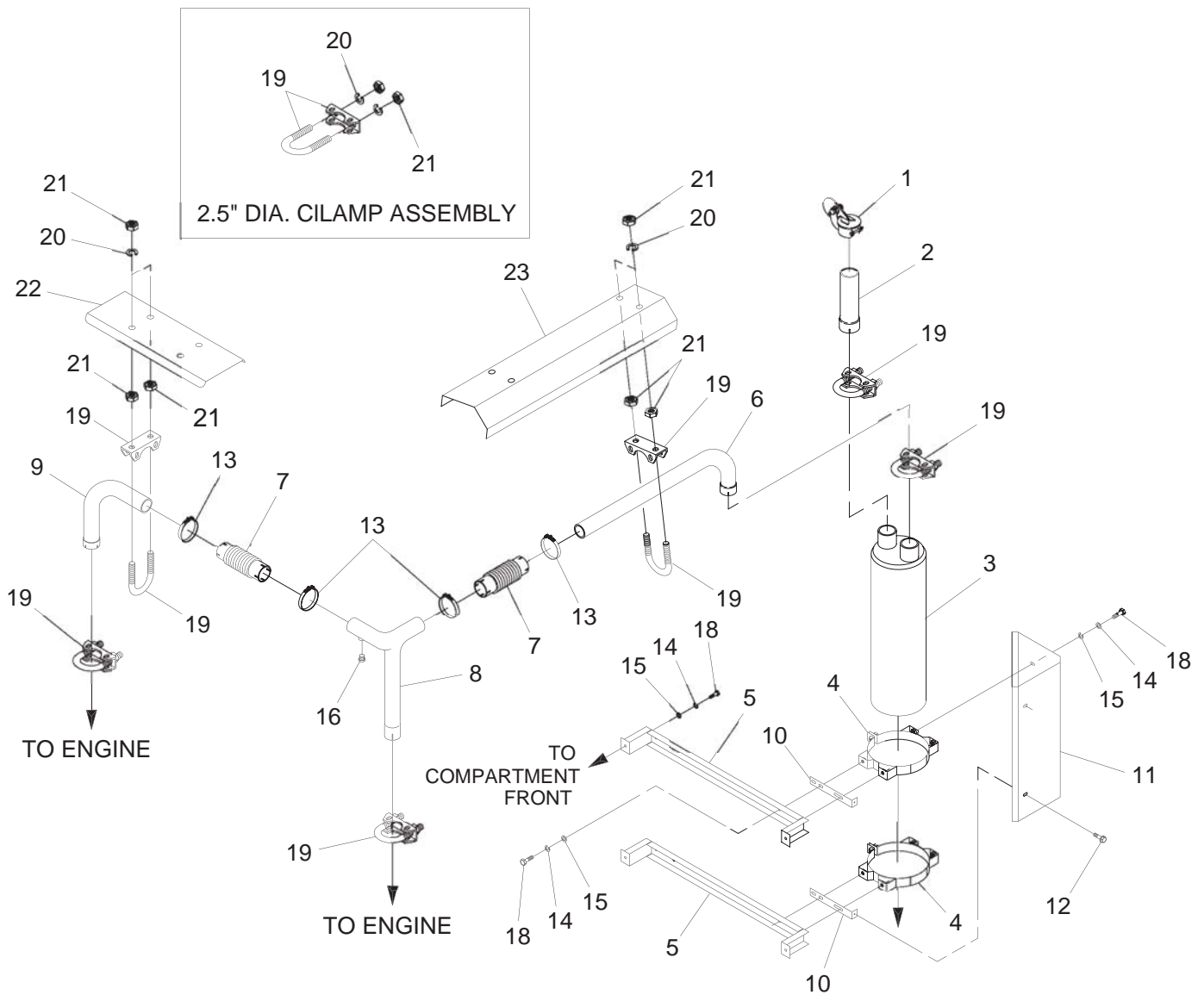


| ITEM | PART NO. | QTY. | DESCRIPTION                           |
|------|----------|------|---------------------------------------|
| 1    | 059902A  | 1    | CAP RAIN 2.50 / 2.69                  |
| 2    | 0C9641   | 1    | TUBE STRAIGHT 'A' GROUP               |
| 3    | 0D4208   | 1    | MUFFLER CATALYST 4.3L                 |
| 4    | 0D5061   | 4    | MOUNTING BAND A-GRP CATALYST          |
| 5    | 0C4126   | 2    | BRACKET MUFFLER MOUNTING              |
| 6    | 0D5787   | 1    | TUBE ELBOW 90 DEG 2.5"                |
| 7    | 0A5215B  | 2    | PIPE FLEX 2.5"                        |
| 8    | 0D5792   | 1    | TUBE 2.5" SMALL TEE                   |
| 9    | 0D5793   | 1    | TUBE ELBOW 90 DEG 2.5" FLARED         |
| 10   | 0C4170   | 2    | BRACKET EXHAUST SHIELD                |
| 11   | 0C4305   | 1    | SHIELD A-GRP HEAT                     |
| 12   | 0C2454   | 2    | SCREW TH-FRM M6-1 X 16 N WA Z/JS      |
| 13   | 0C3433A  | 4    | CLAMP BAND 2.5"                       |
| 14   | 022129   | 16   | WASHER LOCK M8-5/16                   |
| 15   | 022145   | 20   | WASHER FLAT 5/16 ZINC                 |
| 16   | 045771   | 4    | NUT HEX M8-1.25 G8 YEL CHR            |
| 18   | 042907   | 16   | SCREW HHC M8-1.25 X 16 G8.8           |
| 19   | 080762   | 8    | BOLT U 3/8-16 X 2.62                  |
| 20   | 022237   | 16   | WASHER LOCK 3/8                       |
| 21   | 022241   | 20   | NUT HEX 3/8-16 STEEL                  |
| 22   | 0D5187   | 1    | SHIELD HEAT CROSSOVER 4.3L            |
| 23   | 0D5190   | 1    | SHIELD HEAT EXHAUST 4.3L              |
| 24   | 077879   | 3 FT | HOSE VACUUM 5/32                      |
| 25   | 0D4221   | 1    | KIT AIR/FUEL RATIO CONTROLLER         |
| 26   | 0D4512   | 1    | BRACKET AIR/FUEL CONTROLLER           |
| 27   | 043116   | 2    | SCREW HHC M6-1.0 X 12 G8.8            |
| 28   | 022471   | 5    | NUT HEX #8-32 STEEL                   |
| 29   | 022264   | 5    | WASHER LOCK #8-M4                     |
| 30   | 038150   | 8    | WASHER FLAT #8 ZINC                   |
| 31   | 036918   | 5    | SCREW PPHM #8-32 X 1/2                |
| 32   | 049811   | 2    | WASHER FLAT M6                        |
| 33   | 022097   | 2    | WASHER LOCK M6-1/4                    |
| 34   | 049813   | 2    | NUT HEX M6 X 1.0 G8 YEL CHR           |
| 35   | 0D8780   | 1    | DECAL IMPORTANT EXHAUST EMISSION INFO |



## Section 7 – Exploded Views and Parts Lists

(Model No. 004373-2) Guardian Liquid-cooled 40 kW Generators  
Generator – Drawing No. 0D5786-A

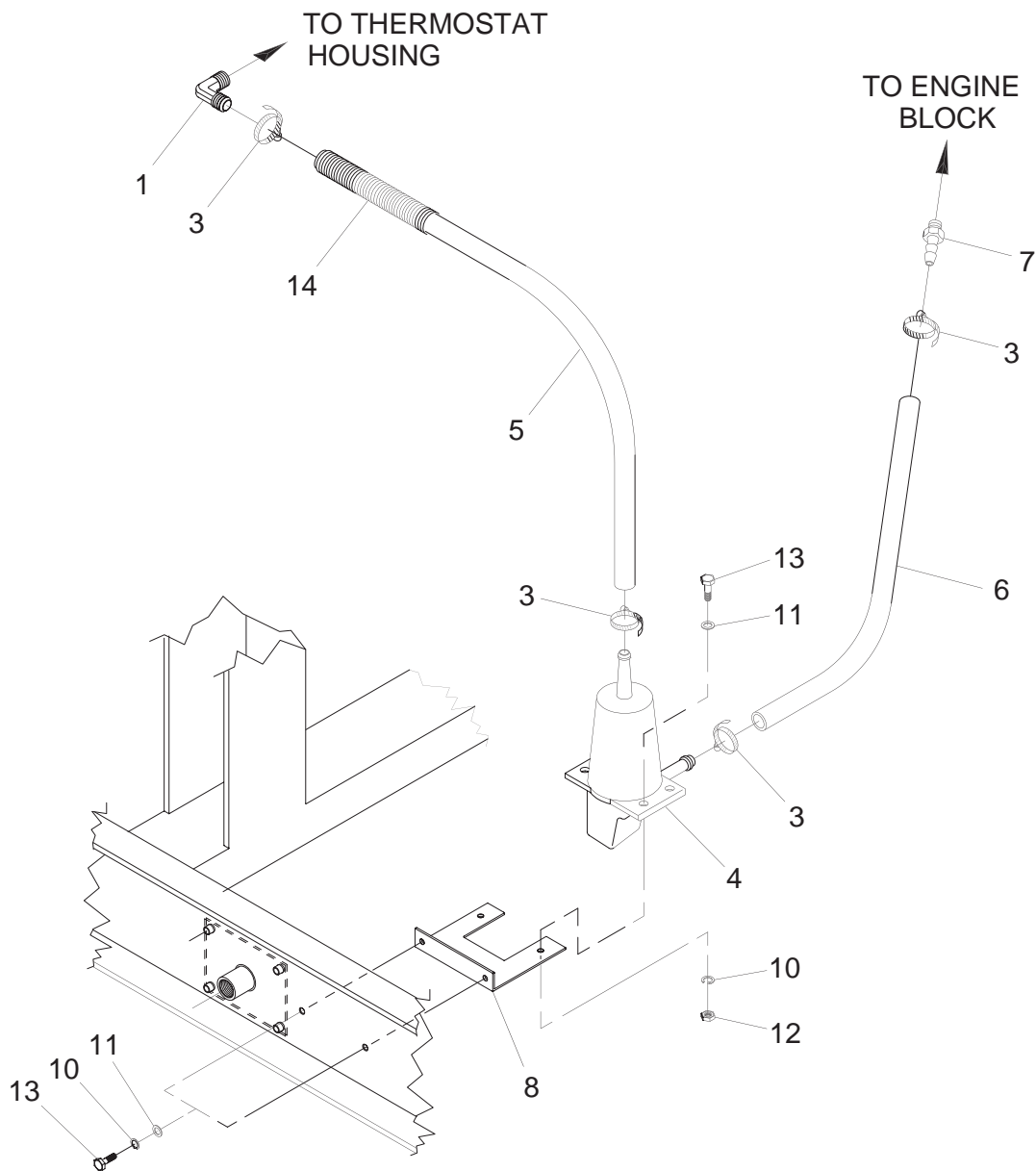
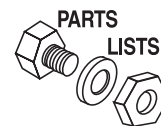


| ITEM | PART NO. | QTY. | DESCRIPTION                   |
|------|----------|------|-------------------------------|
| 1    | 059902A  | 1    | CAP RAIN 2.50 / 2.69          |
| 2    | 0C9641   | 1    | TUBE STRAIGHT 'A' GROUP       |
| 3    | 0C9650   | 1    | MUFFLER 2-1/2" INLET/OUTLET   |
| 4    | 0C4114A  | 2    | CLAMP BAND MUFFLER 6.5"       |
| 5    | 0C4126   | 2    | BRACKET MUFFLER MOUNTING      |
| 6    | 0D5787   | 1    | TUBE ELBOW 90 DEG 2.5"        |
| 7    | 0A5215B  | 2    | PIPE FLEX 2.5"                |
| 8    | 0D5792   | 1    | TUBE 2.5" SMALL TEE           |
| 9    | 0D5793   | 1    | TUBE ELBOW 90 DEG 2.5" FLARED |
| 10   | 0C4170   | 2    | BRACKET EXHAUST SHIELD        |
| 11   | 0C4305   | 1    | SHIELD A-GRP HEAT             |

| ITEM | PART NO. | QTY. | DESCRIPTION                      |
|------|----------|------|----------------------------------|
| 12   | 0C2454   | 2    | SCREW TH-FRM M6-1 X 16 N WA Z/JS |
| 13   | 0C3433A  | 4    | CLAMP BAND 2.5"                  |
| 14   | 022129   | 12   | WASHER LOCK M8-5/16              |
| 15   | 022145   | 12   | WASHER FLAT 5/16 ZINC            |
| 16   | 0C9748   | 1    | PLUG M18-1.5                     |
| 18   | 042907   | 12   | SCREW HHC M8-1.25 X 16 G8.8      |
| 19   | 080762   | 8    | BOLT U 3/8-16 X 2.62             |
| 20   | 022237   | 16   | WASHER LOCK 3/8                  |
| 21   | 022241   | 20   | NUT HEX 3/8-16 STEEL             |
| 22   | 0D5187   | 1    | SHIELD HEAT CROSSOVER 4.3L       |
| 23   | 0D5190   | 1    | SHIELD HEAT EXHAUST 4.3L         |

**Section 7 – Exploded Views and Parts Lists**

**Guardian Liquid-cooled 40 kW Generators  
Engine Coolant Heater – Drawing No. 0E0539**



| ITEM | PART NO.             | QTY. | DESCRIPTION  | ITEM  | PART NO. | QTY. | DESCRIPTION  |
|------|----------------------|------|--|-------|----------|------|--|
| 1    | 034339               | 1    | BARBED ELBOW 90 3/8 NPT X 5/8  | 11    | 022473   | 4    | WASHER FLAT 1/4 ZINC                                       |
| 2    | ** 055934D           | 1    | CLAMP VINYL 1.06 X .406 Z<br>(MOUNTED TO ALTERNATOR TO<br>HOLD # 5 IN PLACE) | 12    | 049813   | 2    | NUT HEX M6 X 1.0 G8 YEL CHR                                |
| 3    | 057822               | 4    | CLAMP HOSE #8 .53 - 1.00   | 13    | 042568   | 4    | SCREW HHC M6-1.0 X 20 G8.8                                 |
| 4    | 084918C<br>* 084918D | 1    | HEATER ENGINE 1800W 120V<br>HEATER ENGINE 2000W 240V                         | 14    | 077043E  | 1    | FLEXIBLE CONDUIT 1" BLACK (15")                            |
| 5    | 050967               | 1    | HOSE 5/8 ID RIA 250F (36")   | 15 ** | 077043A  | 1    | CONDUIT FLEX .38 ID (42") (USED ON<br>HEATER WIRE HARNESS) |
| 6    | 050967               | 1    | HOSE 5/8 ID RIA 250F (16")   |       | 077043A  |      | CONDUIT FLEX .38 ID (18")<br>(GUARDIAN)                    |
| 7    | 053660               | 1    | BARBED STRAIGHT 1/4 NPT X 5/8  |       |          |      |  |
| 8    | 084427               | 1    | BRACKET HEATER W/WELDNUTS  |       |          |      |  |
| 10   | 022097               | 4    | WASHER LOCK M6-1/4   |       |          |      |  |

\* USED ON "R" VOLTAGE GENERATORS ONLY

\*\* NOT SHOWN