

GENERAC®

POWER SYSTEMS, INC.

Owner's Manual

100 Amp "V" Type

Transfer Switch

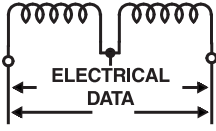
Models:

9227-2

4678-1

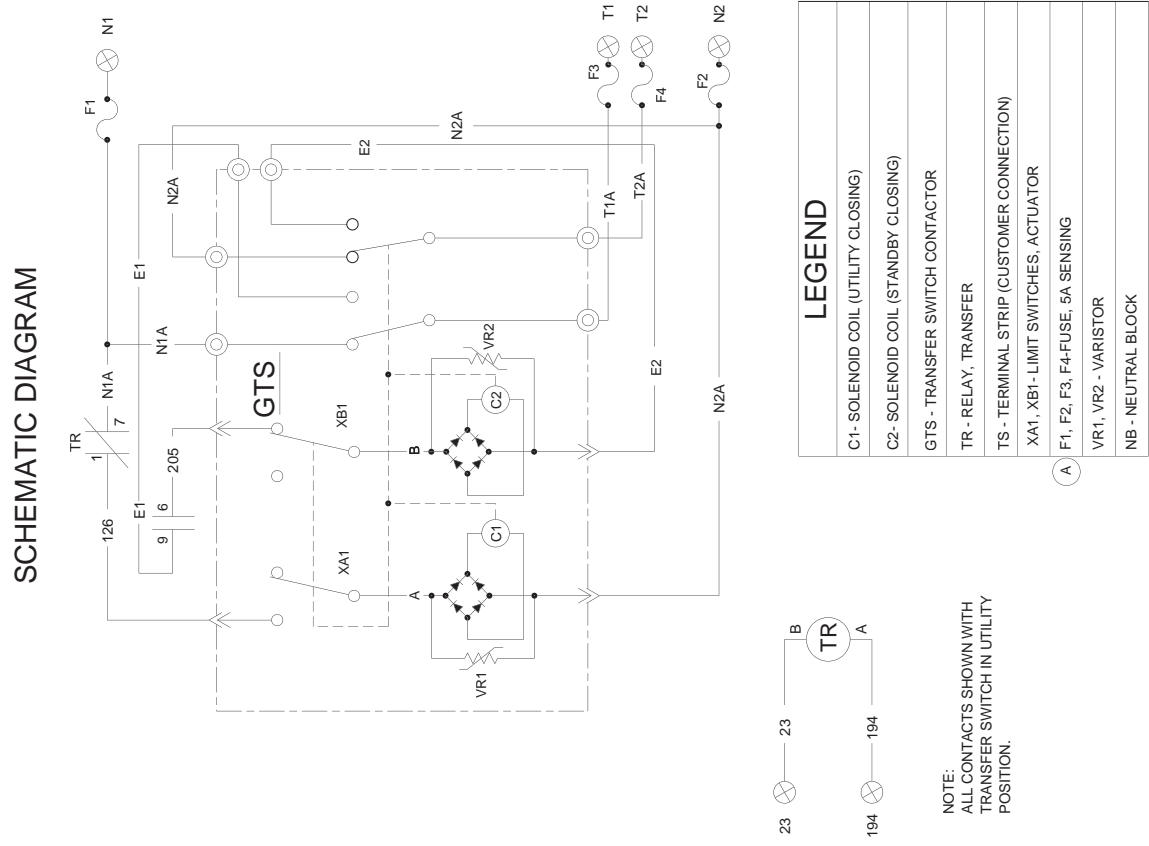
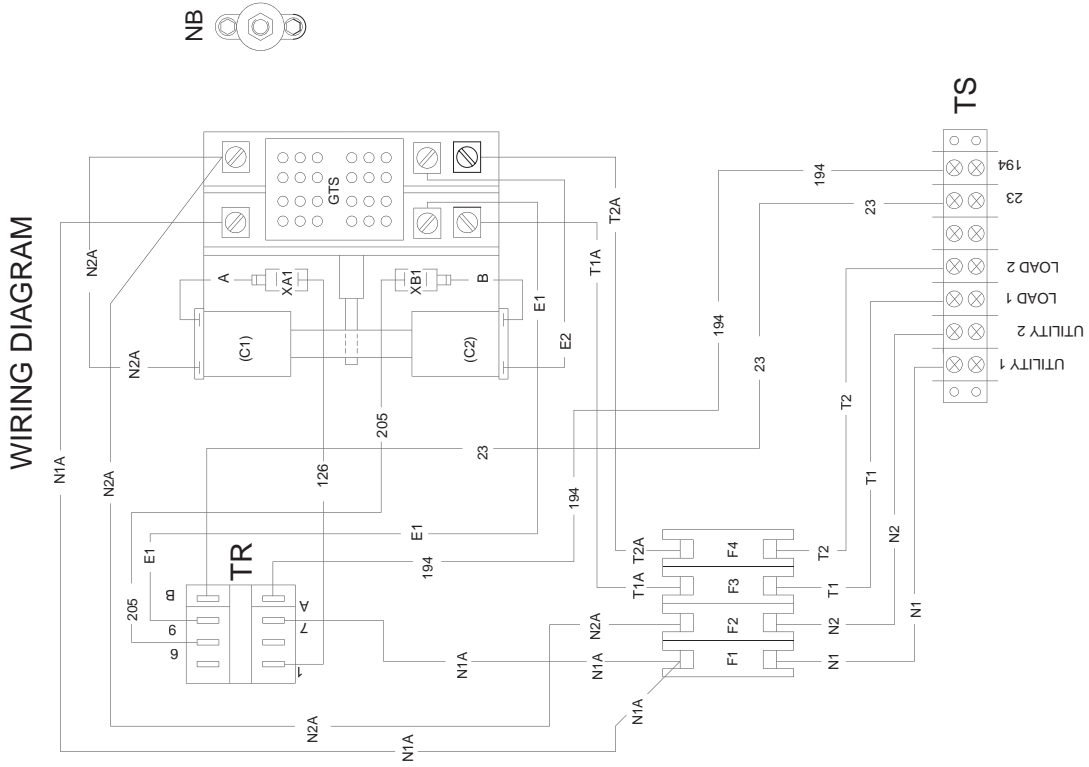


This manual should remain with the unit.

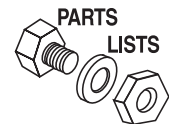


Section 5 – Electrical Data

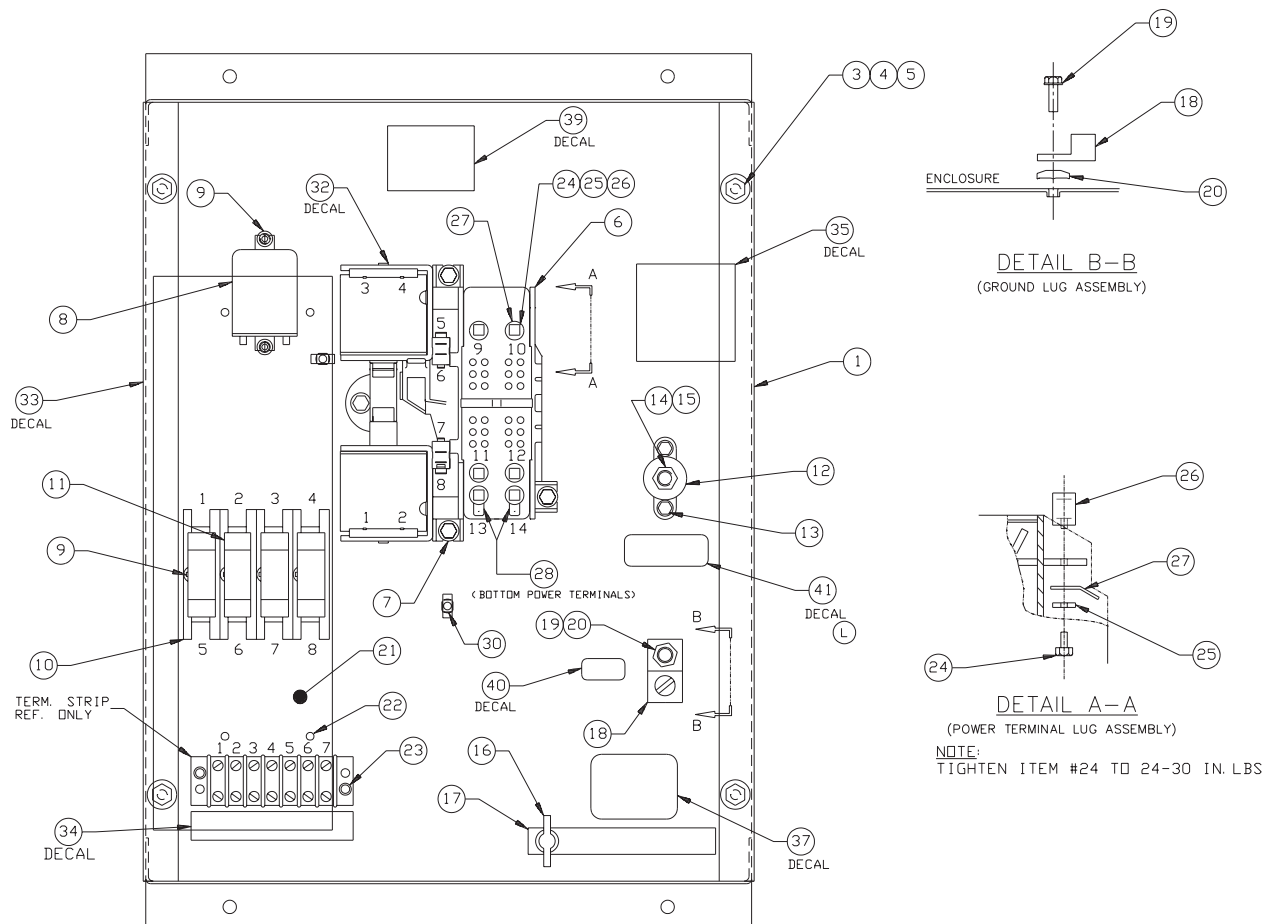
Electrical Schematic – Drawing No. 081222-B



Section 6 – Exploded Views and Parts Lists



Transfer Switch – Drawing No. 0C3909-A



ITEM	PART NO.	QTY.	DESCRIPTION	ITEM	PART NO.	QTY.	DESCRIPTION
1	C2259	1	ENCLOSURE	26	77033	6	LUG, SOLDERESS
2	74975	1	COVER, ENCLOSURE	27	74138	2	MALE DISCONNECT ADAPTOR (BENT)
3	42568	4	HHCS M6-1.0 x 20	28	77052	2	LUG, 0.25"-TAB, #10-SCREW
4	22473	4	M6 FLAT WASHER	29*	81238	1	HARNESS, WIRE
5	22097	4	M6 LOCK WASHER	30	63378	2	CABLE TIE HOLDER
6	C2237	1	SWITCH, TRANSFER 100A 2-POLE, 250V	31	28739	2	TIE WRAP, 4"
7	74908	4	M5-0.8 x 10 TAPTITE	32	75353	1	DECAL, UL COMPONENT RECOGNITION
8	63617	1	RELAY, 12V-DC 10A	33	A9517	1	DECAL, MANUAL OPERATION
9	24940	6	#8-32 x 1/2" TAPTITE	34	A2595	1	DECAL, TERMINAL STRIP
10	73591	4	FUSE HOLDER	35	77030	1	DECAL, TRANSFER SWITCH RATING (9222-3)
11	73590A	4	FUSE 5A 600V	77032	1	DECAL, TRANSFER SWITCH RATING (9227-2)	
12	57073	1	LUG, NEUTRAL	36**	77036	1	DECAL, TEST SEQUENCE
13	66849	2	M5-0.8 x 16 TAPTITE	37	83736	1	DECAL, CSA(NOT FOR SALE)
14	27628	1	NUT, .375-16	38***	95282	1	DECAL, LIVE CIRCUIT WARNING
15	22131	1	WASHER, FLAT .375 NOM.	39	81221	1	DECAL, NAMEPLATE UL (NOT FOR SALE)
16	64113	1	STUD, WING	40	67210A	1	DECAL, GROUND
17	77441	-	HANDLE, TRANSFER SWITCH	41	A9457	1	DECAL, NEUTRAL
18	62684	1	LUG, GROUND				
19	24912	1	1/4"-20 x 5/8" TAPTITE				
20	A1658	1	LOCK WASHER 1/4" SPECIAL				
21	C2630	1	COVER, RELAY & TERMINAL BLOCK				
22	40213B	4	STANDOFF 1-3/8" NYLON				
23	A1661	2	POP RIVET				
24	36932	6	PPHMS #10-32 x 1/4"				
25	22152	6	WASHER, LOCK #10				

* NOT SHOWN
 ** INSIDE OF COVER
 *** OUTSIDE OF COVER