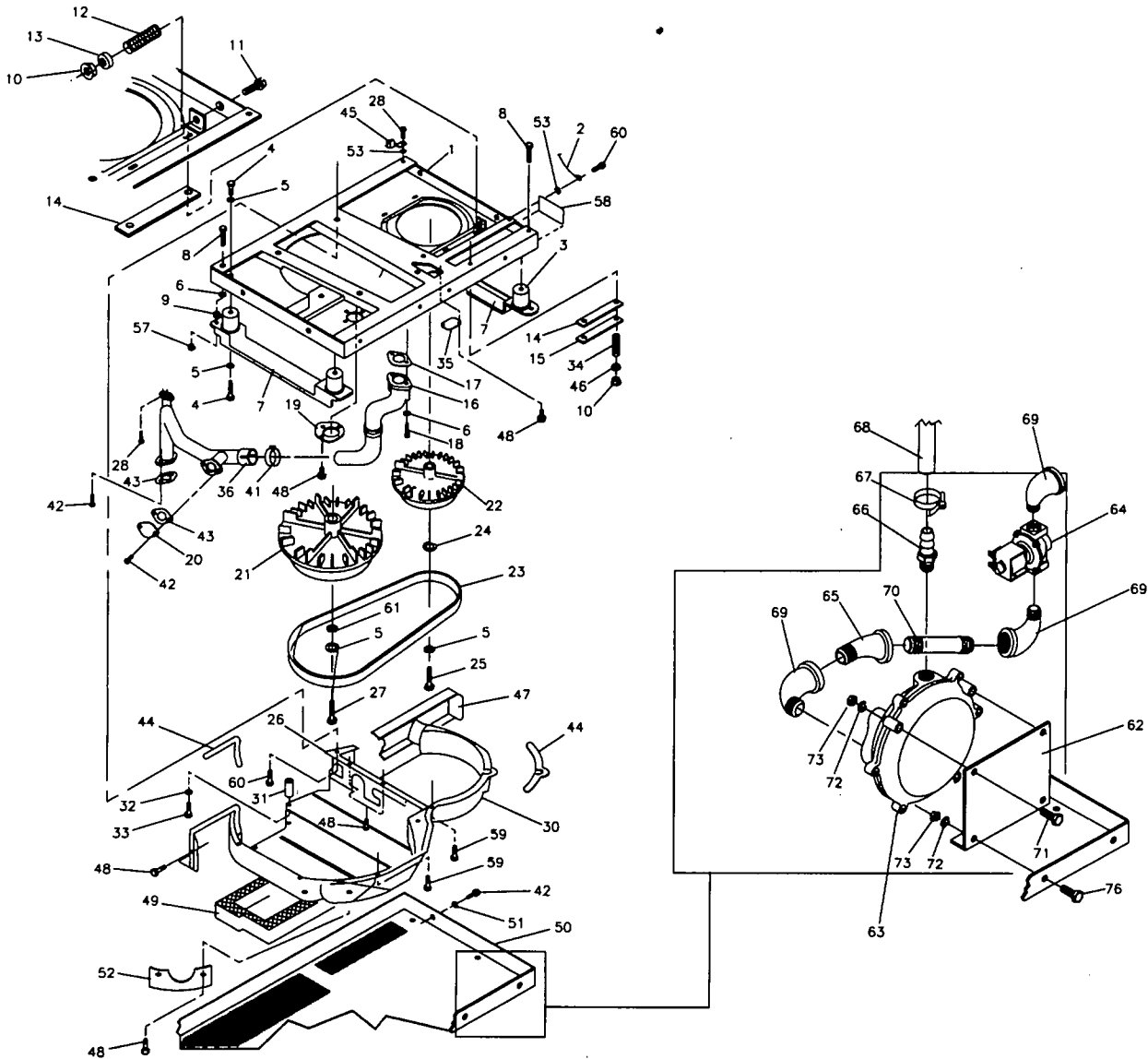


EXPLODED VIEW — BASE AND PULLEYS

Drawing No. 95865



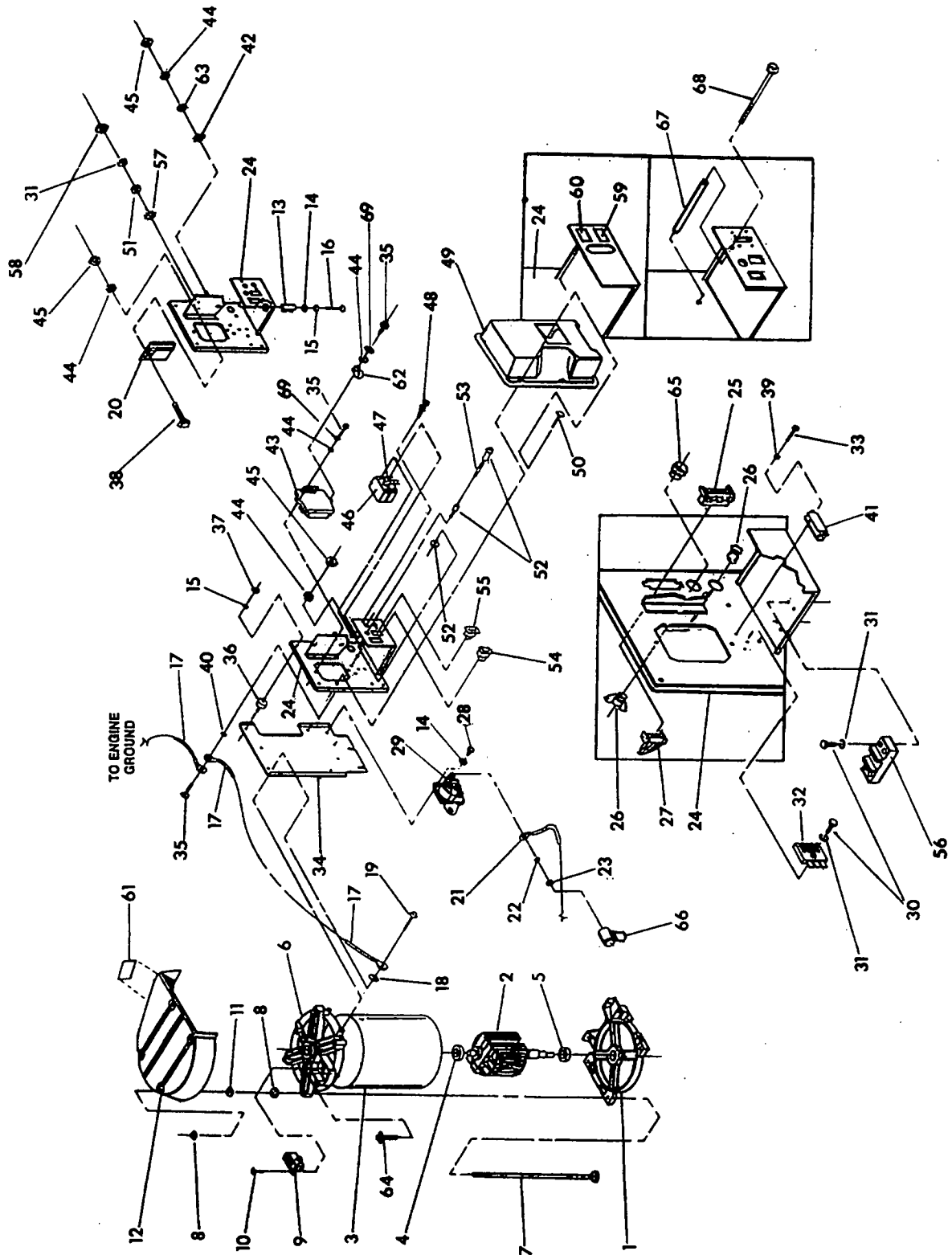
REPAIR PARTS — BASE AND PULLEYS

Drawing No. 95865

ITEM	DESCRIPTION	PART NO.	QTY.	ITEM	DESCRIPTION	PART NO.	QTY.
1	BASE, MOUNTING	92603	1	35	COVER PLATE, EXH. BASE	92203	1
2	GROUND CABLE	90141	1	36	ADAPTOR, UNIVERSAL EXH.	91146	1
3	MOUNT, (RUBBER)	46911	4	41	CLAMP, EXH. PIPE-1-1/4 DIA.	96289	1
4	CAPSCREW, -3/8"-16 x 1/2"	25017	8	42	HHCS & LOCK WASH.-M6-1.0x16.	79246	8
5	LOCKWASHER-M10	46526	10	43	GASKET, EXH. PIPE	77643	2
6	LOCKWASHER-M8	22129	4	44	FOAM TAPE	29289	10FT.
7	SKID, RUBBER MOUNT	72391	2	45	LUG, GROUNDING	62684	1
8	SAFETY BOLT 5/16"-18 x 3 1/2"	77603	2	46	WASHER, SPRING RETAINER	75237	4
9	NUT, HEX-5/16-18	22259	2	47	COVER, AIR OPENING	75226	1
10	NUT, FLANGED LOCK-M8-1.25	52858	6	48	SCREW(CRIMP TITE) #10-24 x .5	56893	12
11	CAPSCR. -M8-1.25 x 60MM	51730	2	49	GASKET, FOAM-SLIDE PAN	75229	1
12	SPRING, BELT TENSION	29459	2	50	PAN, SLIDE	75227	1
13	WASHER, SPRING CNTR.	75215	2	51	FLAT WASHER-M6	22473	4
14	SLIDE (NYLON)	73146	4	52	COVER, EXHAUST OUTLET	72384-C	1
15	SUPPORT, NYLON SLIDE	75209	2	53	LOCK WASHER, SHAKEPR.-M6	22447	2
16	MANIFOLD, EXHAUST	91032	1	57	NUT, FLANGE-5/16-18 (SPECIAL)	81105	2
17	GASKET, EXHAUST MANIFOLD	90239	1	58	DECAL, GROUND	67210A	1
18	CAPSCR.-M8-1.25 x 65 LG.	57636	2	59	SCREW, TAPTITE M5-0.8 x 10 .	74908	9
19	GASKET, COLLECTOR PAN	92645	1	60	SCREW, TAPTITE M6-1.0 x 10	45756	5
20	COVER PLATE -EXTERNAL	90859	1	61	FLAT WASHER-M10	22131	1
21	PULLEY, ENGINE	75224-B	1	62	REGULATOR MOUNT .BRACK.	78864	1
22	PULLEY, ALT.	73106-B	1	63	REGULATOR	75211	1
23	BELT (POLY V 4L)-40"	75216	1	64	FUEL SOLENOID 12VDC	A2666	1
24	WASHER, PULLEY RETAINER	49451	1	65	45° STREET ELBOW-3/4"	25425	1
25	CAPSCR., HEX HD. 3/8"-24 x 1"	42633	1	66	STRAIGHT BARB. FIT.-1/2 x 3/8"	63463	1
26	GUIDE, BLOWER HOUSING	77017	1	67	HOSE CLAMP-SIZE-#8	57822	1
27	CAPSCR., 3/8"-24 x 2"	A8250	1	68	FUEL HOSE-1/2" DIA. x 8.50"	74994	1
28	SCREW (TAPTITE)-M6-1.00 x 20	74906	2	69	90 °STREET ELBOW-3/4"	26307	3
30	HOUSING, BLOWER	72375	1	70	PIPE, NIPPLE-3/4" x 3" LG	26881	1
31	SPACER, BLOWER HOUSING	73185	1	71	M6-1.0 x 30 CAP SCREW	38750	2
32	LOCKWASHER, M5	22152	1	72	M6 LOCK WASHER	22097	4
33	CAPSCR. -M5-0.80 x 80MM	77682	1	73	M6 HEX NUT	49813	4
34	SPRING, GENERATOR SET MT	75242	4	76	M6 x 16 HEX HD. CAPSCR.	47411	2

EXPLODED VIEW — ALTERNATOR AND PANEL

Drawing No. 94106



Recreational Vehicle Generator

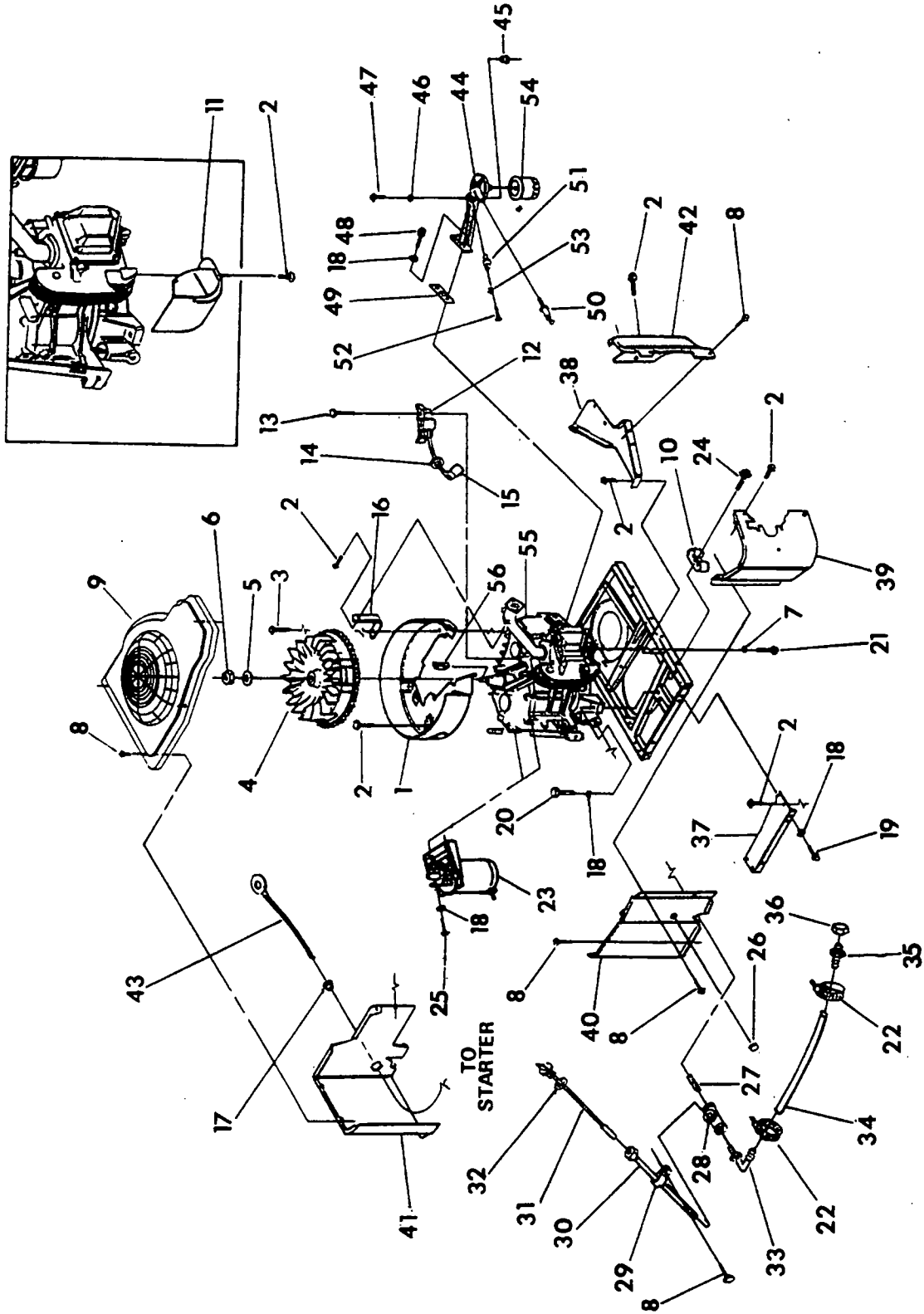
REPAIR PARTS — ALTERNATOR AND PANEL

Drawing No. 94106

ITEM	DESCRIPTION	PART NO.	QTY.	ITEM	DESCRIPTION	PART NO.	QTY.
1	Lower Bearing Carrier	75995	1	36	Vibration Mount	82737	4
2	50 Rotor Assembly	92605H	1	37	M6-1.0 Hex Nut	49813	4
3	50 Stator Assembly	92604H	1	38	M5-0.8 x 16 Capscrew	55440	1
4	Ball Bearing	73159	1	39	M3 Lock Washer	43182	2
5	Ball Bearing	31971	1	40	M5 Special Lock Washer	A8475	1
6	Upper Bearing Carrier	72379B	1	41	2.5A.-ON Circuit Breaker	53623	1
7	Stator Stud	77006	4	42	M5 Shakeproof Washer	22769	1
8	M8-1.25 Flange Lock Nut	52858	8	43	Regulator Voltage	83049	1
9	Brush Holder	66386	1	44	M5 Lock Washer	22152	6
10	M5-0.8 x 16 Taptite	66849	2	45	M5-0.8 Hex Nut	51716	4
11	Nylon Washer	27756	4	46	20A. Circuit Breaker	90144	1
12	Generator Top Housing	86314	1	47	30A All Units Cir. Breaker	90145	1
13	Resistor	75234	1	48	#6-32 w/Lockwasher Screw	25105	4
14	M6 Flat Washer	22473	3	49	Panel Cover	86315	1
15	M6 Lock Washer	22097	5	50	M4-0.7 x 16 Screw w/Lock Washer & Flat Washer	90734	4
16	M6-1.0 x 60 Capscrew	74095	1	51	M4 Flat Washer	22985	1
17	Ground Cable	90141	2	52	Fuse Holder	32300	1
18	Shakeproof Lock Washer	22447	1	53	15A. AGC Fuse	22676	1
19	M6-1.0 x 20 Taptite	74906	4	54	6A (Start/Stop) S.P.D.T. Switch	87798	1
20	P.C.B. Controller	94039	1	55	S.P.D.T. Switch (Fuel Pump)	92113	1
21	Starter Cable	10-74260	1	56	Terminal Block	75210A	1
22	5/16 Lock Washer	22129	2	57	M4 Shakeproof Washer	23365	1
23	5/16-18 Hex Nut	22259	2	58	M4-0.7 Hex Nut	51715	1
24	Panel Sheet Metal	86316	1	59	30A. CB Rating Decal	90157	1
25	4-Pin Connector	53650	1	60	20A. CB Rating Decal	90156	1
26	Connector	91915	1	61	Cust. Connection Decal	89438A	1
27	Remote Harness	75244	1	62	Hose Clamp	31791	1
28	M6-1.0 x 12mm Capscrew w/Lock Washer	66476	2	63	M5 Flat Washer	23365	1
29	Starter Contactor	86729	1	64	M5 x 10 Taptite	74908	2
30	M4-0.7 x 16 Capscrew	75476	3	65	Bushing	234845	1
31	M4 Lock Washer	22264	4	66	Battery Cable Boot	75763A	1
32	Battery Charge Rectifier	65795	1	67	Plastic Spacer	94070	1
33	M3-0.5 x 15 Capscrew	90987	2	68	M6-0.8 x 110 PPHMS.	94071	1
34	Panel Support Bracket	86317A	1	69	M5 Flat Washer	51713	2
35	M5-0.8 x 30 Capscrew	75235	3				

EXPLODED VIEW — ENGINE ENCLOSURE

Drawing No. A8058



Recreational Vehicle Generator



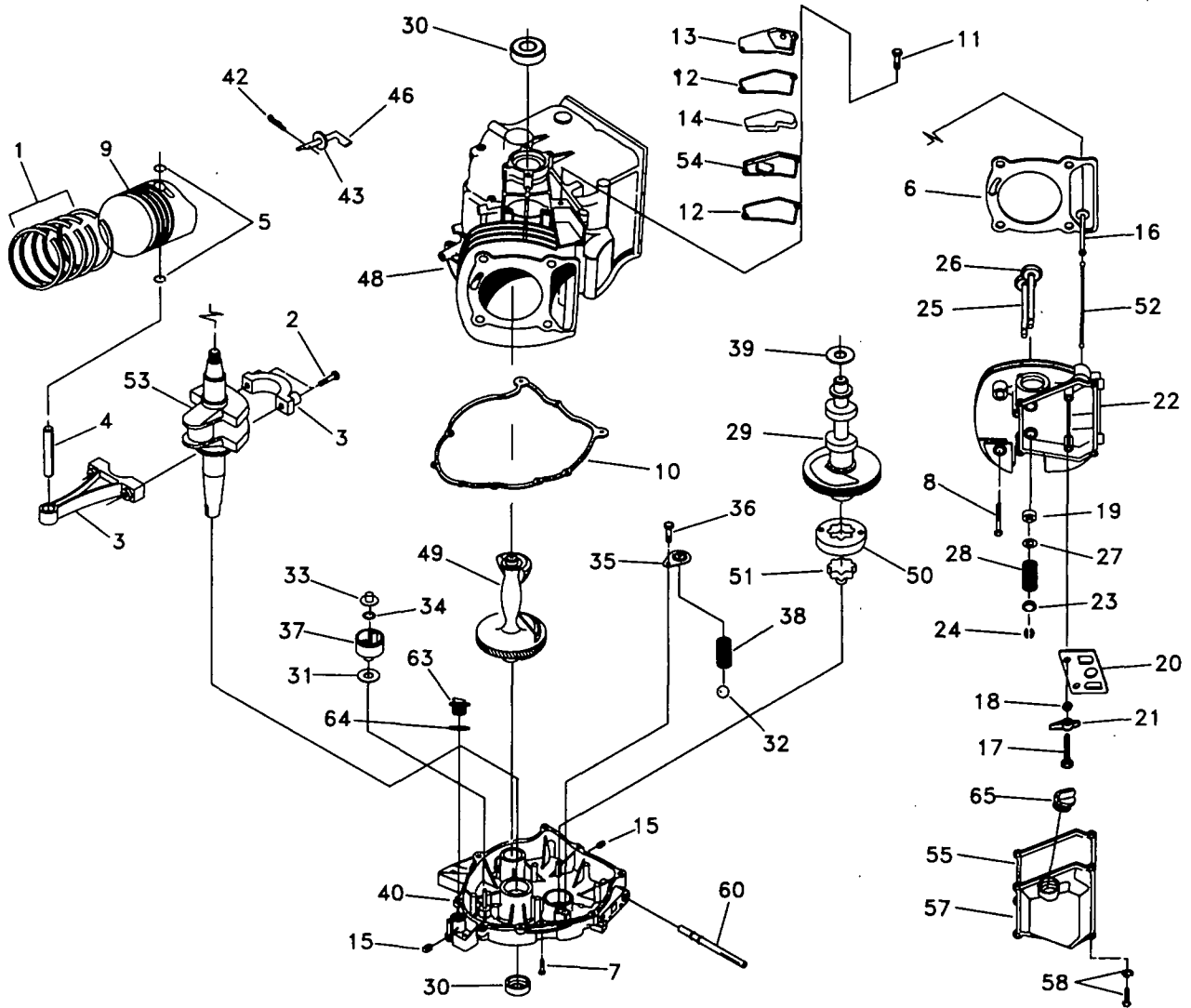
REPAIR PARTS — ENGINE ENCLOSURE

Drawing No. A8058

ITEM	PART NO.	QTY.	DESCRIPTION	ITEM	PART NO.	QTY.	DESCRIPTION
1	90953	1	SCROLL, FLYWHEEL	30	91519	1	TUBE-DIPSTICK
2	45756	8	SCREW, TAPTITE M6-1.0 x 10 LG.	31	91520	1	ASSEMBLY, CAP AND DIP STICK
3	90388	1	SCREW, TAPTITE M6-1.0 x 12 LG.	32	91648	1	◎ ^B RING DIA.-14 x 3 WALL
4	91222-D	1	FLYWHEEL (21 DEG.)	33	43790	1	ELBOW, 3/8" I.D. -BRASS
5	67198-N	1	WASHER, BELLVILLE M20	34	47290	1	HOSE, 3/8" I.D.
6	67890	1	NUT, M20 x 1.5	35	35461	1	BARB FITTING-1/4" NPT-3/8" HOSE
7	A4456	1	3/8" SPECIAL LOCK WASHER	36	69811	1	CAP-1/4" NPT
8	56893	23	SCREW, CRIMPTITE #10-24 x .5 LG.	37	90951	1	COVER-BASE, STARTER SIDE
9	98769	1	COVER, TOP FLYWHEEL NP50	38	90952	1	COVER-BASE, CARB. SIDE
10	65852	1	CLIP, HOSE RETAINER	39	91137	1	WRAPPER, ENGINE SPARK PLUG
11	91646	1	DEFLECTOR, EXHAUST PORT	40	90954	1	WRAPPER, STARTER SIDE
12	A8600	1	ASSEMBLY, IGNITION COIL	41	90955	1	WRAPPER, REAR GEAR CASE
13	92079	2	SCREW, TAPTITE M6-1.0 x 25MM	42	90956	1	WRAPPER, CARB. SIDE
14	22717-A	1	GROMMET, RUBBER	43	74260-10	1	ASSEMBLY, WIRE-STARTER (#16)
15	73132	1	BOOT, SPARK PLUG	44	90892	1	SUPPORT, OIL FILTER
16	91643	1	BRACKET, INTAKE MANI FOLD SUPPORT	45	91159	1	BUSHING, RUBBER
17	22717-B	1	GROMMET, RUBBER	46	91160	1	WASHER, RUBBER
18	22129	8	LOCK WASHER-M8	47	91161	1	BOLT, SHOULDER-M6 x 15 LG.
19	42907	2	CAPSCR., HEX HD.-M8-1.25 x 16 LG.	48	49821	2	BOLT, SOCKET HD. CAPSCR.-M8-1.25 x 30 LG.
20	57821	2	CAPSCR., HEX HD.-M8-1.25 x 40 LG.	49	86999	1	GASKET, OIL FILTER SUP PORT
21	59637	2	SCREW, TAPTITE 3/8"-16 x .75 LG.	50	60108	1	SWITCH, OIL PRESSURE-10 PSI
22	48031-E	2	HOSE CLAMP	51	75281	1	SWITCH, OIL TEMPERA TURE
23	21544	1	MOTOR, STARTER-12VOLT	52	74027	2	SCREW, PHILIPS PAN HD. MACH.-M3-.05 x 5 LG.
24	74908	1	SCREW, TAPTITE M5-0.8 x 10 LG.	53	43182	2	LOCK WASHER-M3
25	40976	2	SOCKET HD. CAPSCR., M8-1.25 x 20 LG.	54	70185	1	FILTER, OIL
26	25034	1	PLUG, BUTTON-1.06	55	A7629	1	ENGINE, LONG BLOCK-GN410VSRV
27	35467	1	CLOSE NIPPLE 3/8" NPT	56	82774	1	KEY, WOODRUFF 4 x 19 DIA.
28	27738-A	1	PIPE TEE 3/8" NPT				
29	55934-T	1	CLAMP-VINYL COATED				

EXPLODED VIEW — GN-410 ENGINE

Drawing No. A7894



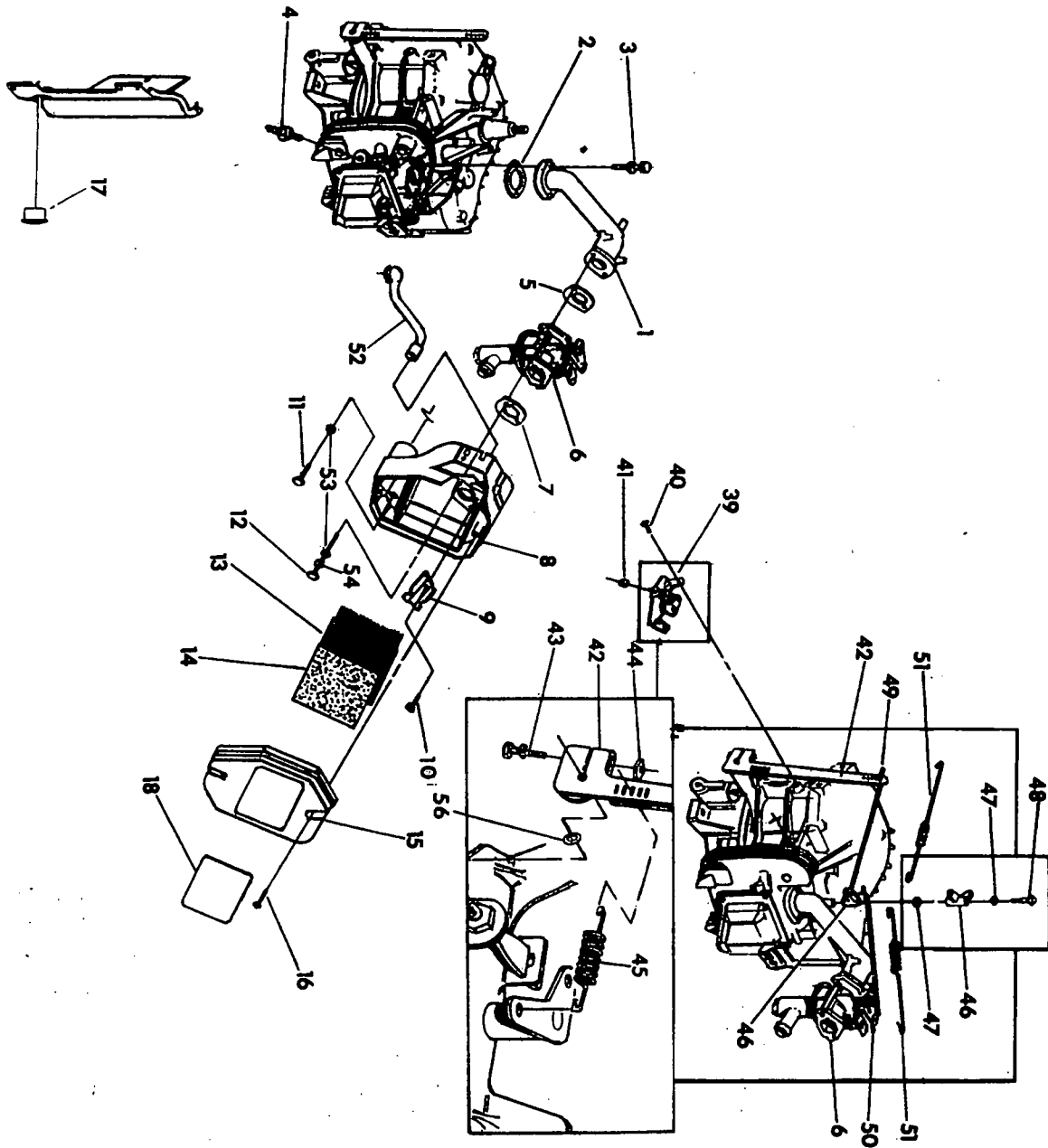
REPAIR PARTS — GN-410 ENGINE

Drawing No. A7894

ITEM	PART NO.	QTY.	DESCRIPTION	ITEM	PART NO.	QTY.	DESCRIPTION
1	21533	1	PISTON RING SET	34	78645	1	GOVERNOR RETAINER (C-RING)
2	71979	2	CONNECTING ROD BOLT	35	78691	1	OIL PRESSURE SPRING RETAINER
3	71978	1	CONNECTING ROD WITH CAP & BOLT	36	74908	1	M5-0.80 x 8MM SCREW (THD.FORMING)
4	71980	1	PISTON PIN	37	83912	1	GOVERNOR GEAR ASSEMBLY
5	71983	2	PISTON PIN RETAINER	38	A5771	1	OIL PRESSURE SPRING
6	21713B	1	CYLINDER HEAD GASKET	39	B2104	1	SPRING WASHER
7	73144	8	FLANGED HEX HD. CAPSCREW	40	83981A	1	OIL SUMP
8	73149	4	M10 x 100MM HEAD BOLT	41	72654	1	SLEEVE BEARING
9	96699	1	PISTON	42	78658	1	GOVERNOR ARM "R" PIN
10	76701	1	CRANKCASE GASKET	43	78659	2	THRUST WASHER
11	45756	2	M6 SCREW (THD. FORMING)	44	78699B	1	SLEEVE DOWEL PIN DIA. 12
12	80308	2	BREATHER GASKET	45	78699C	2	SLEEVE DOWEL PIN DIA. 14
13	80309	1	BREATHER COVER	46	83948	1	GOVERNOR ARM
14	80338	1	OIL BREATHER SEPARATOR	47	88590	1	DOWEL PIN DIA. 12 x 20 LONG
15	26925	1	PIPE PLUG-3/8"	48	89288C	1	CRANKCASE SUB ASSEMBLY
16	83897	2	TAPPET	49	84430	1	BALANCER
17	72694	2	PIVOT BALL STUD	50	86002	1	OUTER GEROTOR
18	72696	2	JAM NUT (ROCKER ARM)	51	86026	1	INNER GEROTOR
19	78672	1	SEAL, VALVE STEM	52	88396B	2	PUSH ROD
20	78694	1	PUSH ROD GUIDE PLATE	53	90416A	1	CRANKSHAFT ASSEMBLY
21	83907	2	ROCKER ARM	54	90747	1	BREATHER VALVE ASSEMBLY
22	21714	1	CYLINDER HEAD W/VALVE SEATSAND GUIDES	55	71987	1	ROCKER COVER GASKET
23	86514	2	VALVE SPRING RETAINER	57	92362	1	ROCKER COVER W/FILL
24	88515	4	VALVE SPRING KEEPER	58	79246	4	M6-1.00 x 16MM PAN HD. SCR. AND LOCKWASHER
25	86516	1	EXHAUST VALVE	59	83921	1	BEARING TUBE SHAFT
26	86517	1	INTAKE VALVE	60	77158	1	OIL SCREEN PICKUP ASSEMBLY
27	89673	2	WASHER, VALVE SPRING	61	80342	2	"O" RING 14 I.D. x 2.4 THICK
28	91308	2	VALVE SPRING	63	76329	1	OIL FILL PLUG
29	A7081	1	CAMSHAFT ASSEMBLY	64	86254	1	"O" RING 17.8 I.D. x 2.4 THICK
30	72655	2	CAMSHAFT SEAL	65	93064	1	OIL FILL CAP ASSEMBLY
31	76361	1	THRUST WASHER				
32	A5776	1	PRESSURE RELIEF BALL				
33	A7308	1	GOVERNOR SPOOL				

EXPLODED VIEW — ENGINE ACCESSORIES

Drawing No. 95866



REPAIR PARTS — ENGINE ACCESSORIES

Drawing No. 95866

ITEM	PART NO.	QTY.	DESCRIPTION	ITEM	PART NO.	QTY.	DESCRIPTION
1	90896	1	MANIFOLD, INTAKE	39	92164	1	ASSEMBLY, GOV. SPRING ADJ. BRACKET
2	91039	1	GASKET, MANIFOLD/HEAD	40	83512	2	BOLT, TAPTITE M8 x 15 LG
3	68527	2	BOLT, HEX HD. CAPSCR. & LOCK WASH.-M6-1.0 x 20 LG	41	83503	1	NUT, LOCKING M5- 0.8
4	72347	1	SPARK PLUG, CHAMP #RC12YC	42	91916	1	LEVER, GOVERNOR ARM
5	89228	1	GASKET, CARB./MANIFOLD	43	83532	1	BOLT, HEX HD. W/LOCK WASHER-M6 x 30 LG
6	A2775A	1	L/P CARBURETOR	44	86681	1	NUT, M6 SPECIAL
7	90970	1	GASKET, CARB./AIR FILTER	45	91638	1	SPRING, GOVERNOR
8	73108C	1	BASE, AIR FILTER	46	91633	1	BELLCRANK, GOV. RODS
9	91204	1	PLATE, CARB. SHIELD	47	92586	2	WASHER, FELT
10	59635	2	SCREW, PLASTITE #8 x .37" LG	48	91161	1	BOLT, SHOULDER M6 x 15 LG
11	66476	2	BOLT, HEX HD. CAPSCR., & LOCK WASHER-M6 x 12 LG	49	91636	1	ROD, LINKAGE GOV. LEVER-BELLCRANK
12	92695	2	BOLT, CARB. MOUNT 80 LG	50	91637	1	ROD, LINKAGE BELL CRANK-CARB.
13	73111	1	FILTER, AIR	51	91649	2	SPRING, A/L GOV. LEVER- BELLCRANK
14	81646	1	PRE-CLEANER, AIR FILTER	52	91645	1	BREATHER TUBE
15	73104-B	1	COVER, AIR FILTER	53	22473	4	M6 FLAT WASHER
16	78609	2	BOLT, AIR FILTER COVER	54	22097	2	M6 LOCK WASHER
17	20139	1	SNAP BUSHING	56	A7029	1	NYLON WASHER, .31 x .26 x .13
18	91554	1	DECAL, A/C DATA NP-50G (360 ENGINE ONLY)				
	91554B	1	DECAL, A/C DATA NP-50G (410 ENGINE ONLY)				