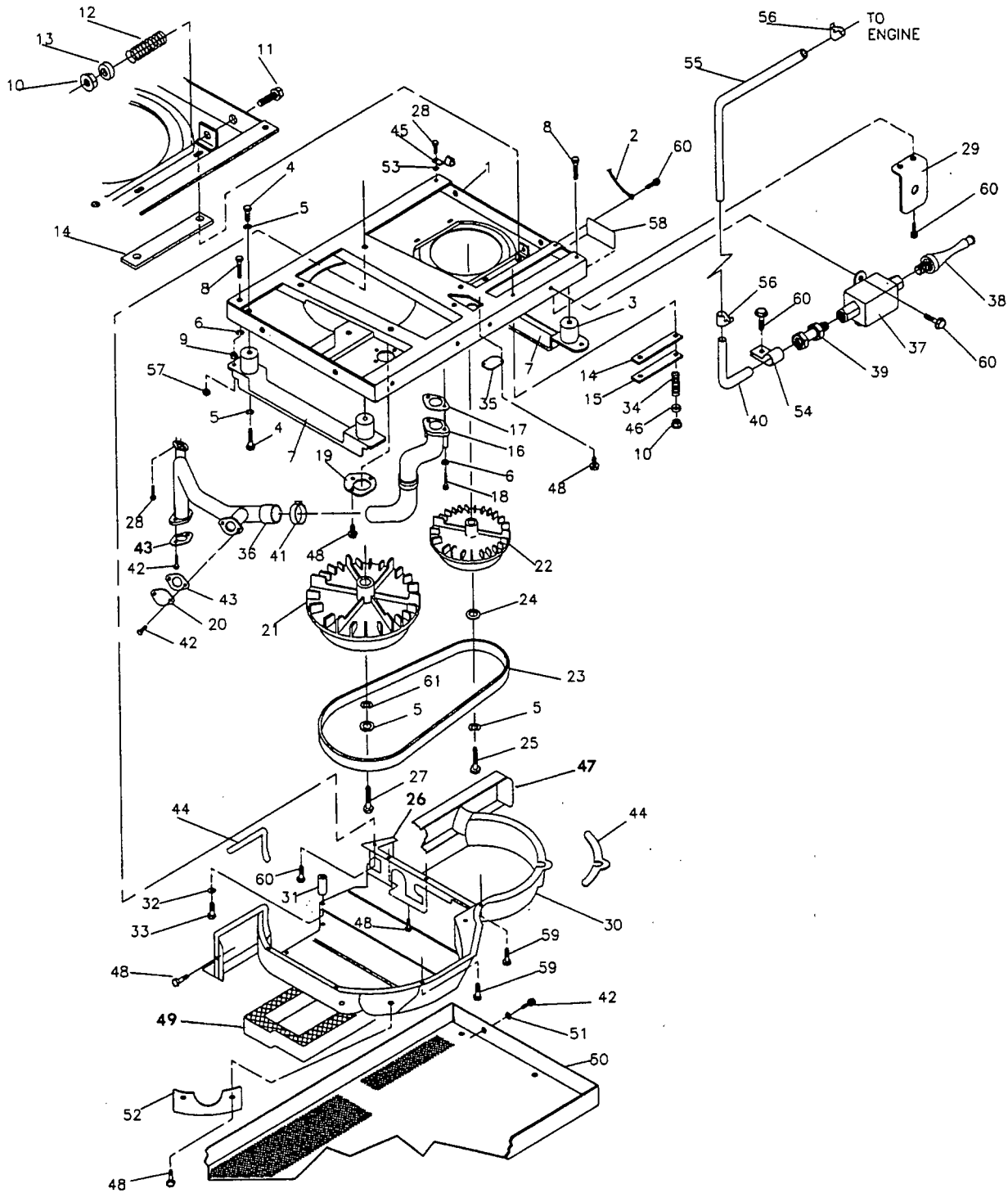


EXPLODED VIEW — BASE AND PULLEYS



Recreational Vehicle Generator

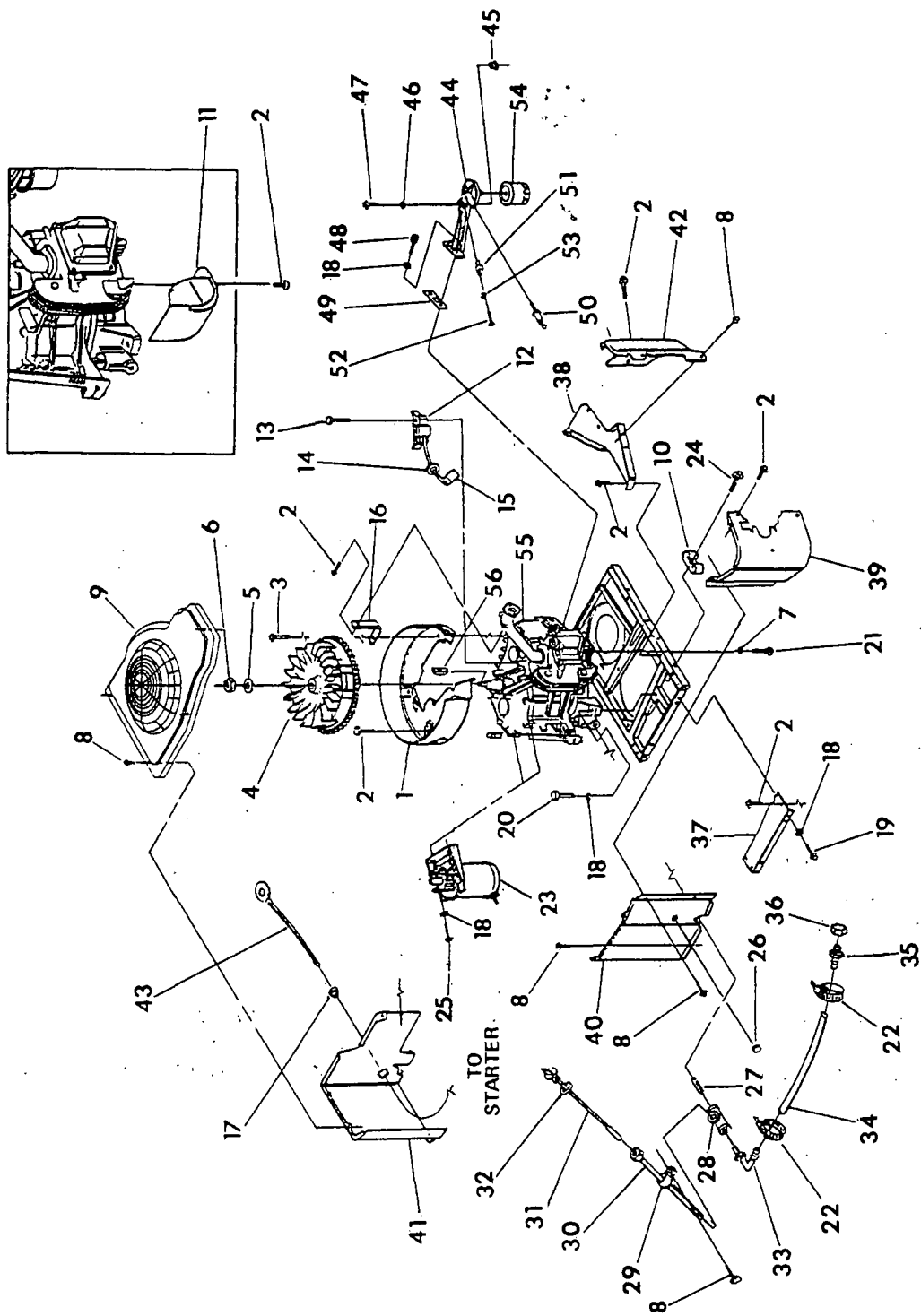
REPAIR PARTS — BASE AND PULLEYS

ITEM	DESCRIPTION	PART NO.	QTY.	ITEM	DESCRIPTION	PART NO.	QTY.
1	Mounting Base	92603	1	32	M5 Lock Washer	22152	1
2	Ground Cable	90141	1	33	M5-0.80 x 80mm Screw	77682	1
3	Rubber Mount	46911	4	34	Generator Set Mt. Spring	75242	4
4	3/8"-16 x 1/2" Capscrew	25017	8	35	Exh. Base Cover Plate	92203	1
5	M10 Lock Washer	46526	10	36	Universal Exh. Adaptor	91146	1
6	M8 Lock Washer	22129	4	37	Fuel Pump	90475	1
7	Rubber Mount Skid	72391	2	38	Fuel Filter	87769	1
8	5/16-18 x 3-1/2 Safety Bolt	77603	2	39	1/8 Pipe to 1/4 Tube Fitting	87768	1
9	5/16-18 Hex Nut	22259	2	40	Metal Fuel Tube	91634	1
10	M8-1.25 Flanged Lock Nut	52858	6	41	1-1/4 Dia. Exh. Pipe Clamp	96289	1
11	M8-1.25 x 60mm Capscrew	51730	2	42	M6-1.0 x 16 HHCS & Lock Washer	79246	8
12	Belt Tension	29459	2	43	Exh. Pipe Gasket	77643	2
13	Spring Cntr. Washer	75215	2	44	Foam Tape	29289	10 Ft.
14	Nylon Slide	73146	4	45	Grounding Lug	62684	1
15	Nylon Slide Support	75209	2	46	Spring Retainer Washer	75237	4
16	Exhaust Manifold	91032	1	47	Air Opening Cover	75226	1
17	Exhaust Manifold Gasket	90239	1	48	#10-24 x .5 Screw	56893	14
18	M8-1.25 x 65 Socket Hd. Capscrew	57636	2	49	Foam Slide Pan Gasket	75229	1
19	Collector Pan Gasket	92645	1	50	Slide Pan	75227	1
20	External Cover Plate	90859	1	51	M6 Flat Washer	22473	4
21	Engine Pulley	75224B	1	52	Exhaust Outlet Cover	72384C	1
22	Alt. Pulley	73106B	1	53	M6 Shakeproof Lock Washer	22447	2
23	40" Belt (Poly V 4L)	75216	1	54	Vinyl Coated Clamp	90088	2
24	Pulley Retainer Washer	49451	1	55	1/4 Dia. 250mm Fuel Hose	44249B	1
25	3/8"-24 x 1 Socket Hd. Capscrew (Grade 5)	42633	1	56	Hose Clamp	48031	2
26	Blower Housing Guide	77017	1	57	5/16-18 Flange Nut (Special)	81105	2
27	3/8"-24 x 2-1/2" Capscrew	73118	1	58	Ground Decal	67210	1
28	M6-1.00 x 20 Screw	74906	2	59	M5-0.8 x 10 Taptite Screw	74908	9
29	Fuel Pump Bracket	91123	1	60	M6-1.0 x 10 Taptite Screw	45756	9
30	Blower Housing	72375	1	61	M10 Flat Washer	22131	1
31	Blower Housing Spacer	73185	1				

REPAIR PARTS — ALTERNATOR AND PANEL

ITEM	DESCRIPTION	PART NO.	QTY.	ITEM	DESCRIPTION	PART NO.	QTY.
1	Lower Bearing Carrier	75995	1	35	M5-0.8 x 30 Capscrew	75235	3
2	50 Rotor Assembly	926050	1	36	Vibration Mount	82737	4
3	50 Stator Assembly	926040	1	37	M6-1.0 Hex Nut	49813	4
4	Ball Bearing	73159	1	38	M5-0.8 x 16 Capscrew	55440	1
5	Ball Bearing	31971	1	39	M3 Lock Washer	43182	2
6	Upper Bearing Carrier	72379	1	41	2.5A.-ON Circuit Breaker	53623	1
7	Stator Stud	77006	4	42	M5 Shakeproof Washer	22769	2
8	M8-1.25 Flange Lock Nut	52858	8	43	Regulator Voltage	83049	1
9	Brush Holder	66386	1	44	M5 Lock Washer	22152	6
10	M5-0.8 x 16 Taptite	66849	2	45	M5-0.8 Hex Nut	51716	4
11	Nylon Washer	27756	4	46	20A. Circuit Breaker	90144	1
12	Generator Top Housing	86314	1	47	30A All Units Cir. Breaker	90145	1
13	Resistor	75234	1	48	#6-32 w/Lockwasher Screw	25105	4
14	M6 Flat Washer	22473	3	49	Panel Cover	86315	1
15	M6 Lock Washer	22097	5	50	M4-0.7 x 16 Screw w/Lock Washer & Flat Washer	90734	4
16	M6-1.0 x 60 Capscrew	74095	1	51	M4 Flat Washer	22985	1
17	Ground Cable	90141	2	52	Fuse Holder	32300	1
18	Shakeproof Lock Washer	22447	1	53	15A. AGC Fuse	22676	1
19	M6-1.0 x 20 Taptite	74906	4	54	6A (Start/Stop) S.P.D.T. Switch	87798	1
20	P.C.B. Controller	94039	1	55	S.P.D.T. Switch (Fuel Pump)	92113	1
21	Starter Cable	10-74260	1	56	Terminal Block	75210A	1
22	5/16 Lock Washer	22129	2	57	M4 Shakeproof Washer	23365	1
23	5/16-18 Hex Nut	22259	2	58	M4-0.7 Hex Nut	51715	1
24	Panel Sheet Metal	86316	1	59	30A. CB Rating Decal	90157	1
25	4-Pin Connector	53650	1	60	20A. CB Rating Decal	90156	1
26	Connector	91915	1	61	Cust. Connection Decal	89438A	1
27	Remote Harness	75244	1	62	Hose Clamp	31791	1
28	M6-1.0 x 12mm Capscrew w/Lock Washer	66476	2	63	M5 Flat Washer	23365	1
29	Starter Contactor	86729	1	64	M5 x 10 Taptite	74908	2
30	M4-0.7 x 16 Capscrew	75476	3	65	Bushing	23484S	1
31	M4 Lock Washer	22264	4	66	Battery Cable Boot	75763A	1
32	Battery Charge Rectifier	65795	1	67	Plastic Spacer	94070	1
33	M3-0.5 x 15 Capscrew	90987	2	68	M6-0.8 x 110 PPHMS.	94071	1
34	Panel Support Bracket	86317	1				

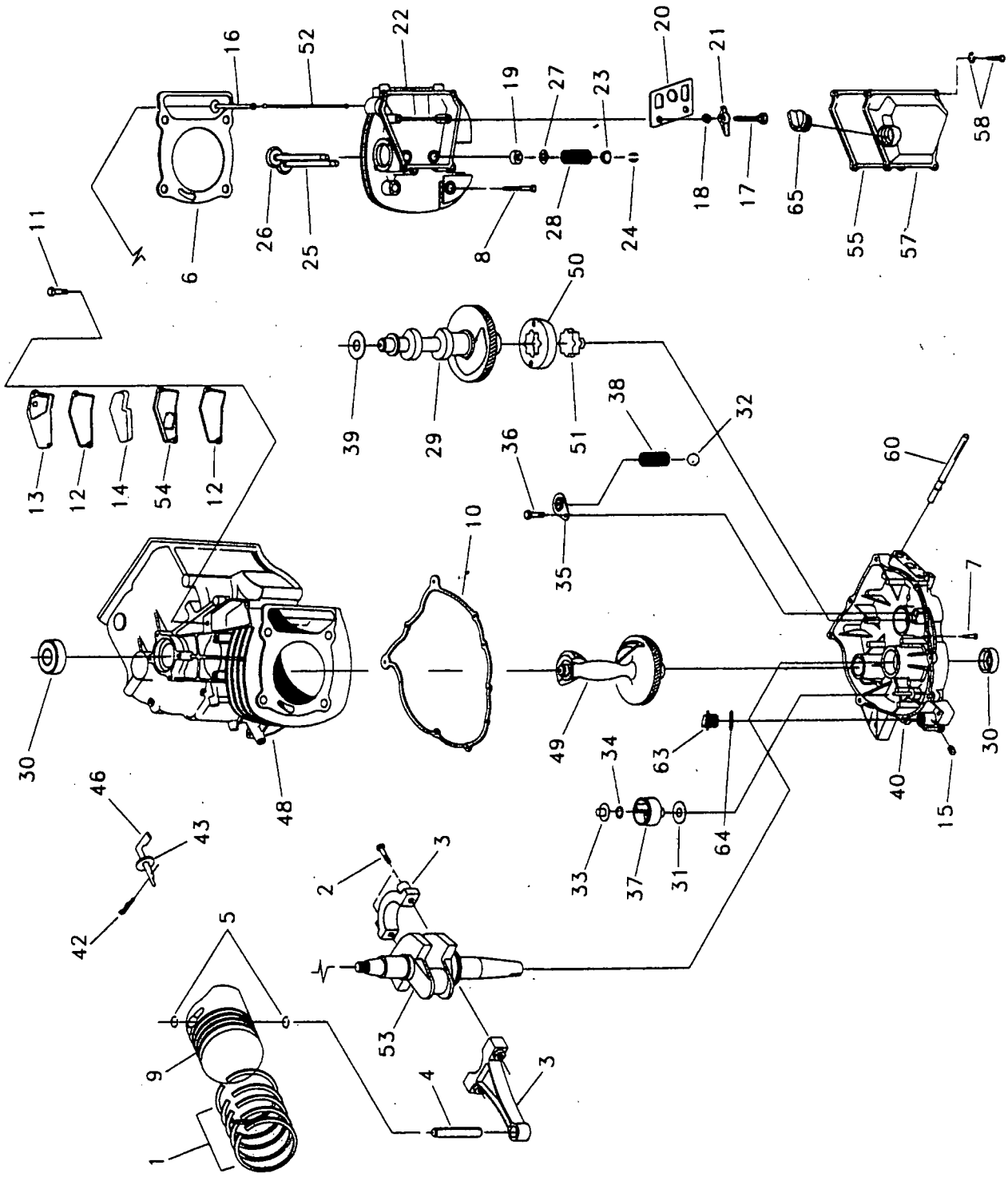
EXPLODED VIEW — ENGINE SHEET METAL



REPAIR PARTS — ENGINE SHEET METAL

ITEM	PART NO.	QTY.	DESCRIPTION	ITEM	PART NO.	QTY.	DESCRIPTION
1	90953	1	SCROLL, FLYWHEEL	27	35467	1	CLOSE NIPPLE 3/8" NPT
2	45756	8	SCREW, TAPTITE M6-1.0 X 10 LG.	28	27738-A	1	PIPE TEE 3/8" NPT
3	90388	1	SCREW, TAPTITE M6-1.0 X 12 LG.	29	55934-T	1	CLAMP-VINYL COATED
4	91222-D	1	FLYWHEEL (21 DEG.)	30	91519	1	TUBE - DIPSTICK
5	67198-N	1	WASHER, BELLVILLE M20	31	91520	1	ASSY., CAP AND DIPSTICK
6	67890	1	NUT, M20 X 1.5	32	91648	1	"O" RING DIA.-14 X 3 WALL
7	A4456	1	3/8" SPECIAL LOCK WASHER	33	43791	1	ELBOW, 3/8" I.D.-BRASS
8	56893	23	SCREW, CRIMPTITE #10-24 X .5 LG.	34	47290	1	HOSE, 3/8" I.D.
9	98769	1	COVER, TOP FLYWHL NP50	35	35461	1	BARB FITTING-1/4" NPT- 3/8" HOSE
10	65852	1	CLIP, HOSE RETAINER	36	69811	1	CAP - 1/4" NPT
11	91646	1	DEFLECTOR, EXH. PORT	37	90951	1	COVER-BASE, STARTER SIDE
12	A8600	1	ASSY. IGNITION COIL	38	90952	1	COVER-BASE CARB. SIDE
13	92097	2	SCREW, TAPTITE M6-1.0 X 25MM	39	91137	1	WRAPPER, ENG. SPARK PLUG
14	22717-A	1	GROMMET, RUBBER	40	90954	1	WRAPPER, STARTER SIDE
15	73132	1	BOOT, SPARK PLUG	41	90955	1	WRAPPER, REAR GEAR CASE
16	91643	1	BRACKET, INTAKE MANIFOLD SUPPORT	42	90956	1	WRAPPER, CARB. SIDE
17	22717-B	1	GROMMET, RUBBER	43	74260-10	1	ASSEMBLY., WIRE - STARTER (#16)
18	22129	8	LOCK WASHER - M8	44	90892	1	SUPPORT, OIL FILTER
19	42907	2	CAPSCR., HEX HD. M8-1.25 X 16 LG.	45	90059	1	BUSHING, RUBBER
20	57821	2	CAPSCR., HEX HD. M8-1.25 X 40 LG.	46	91160	1	WASHER, RUBBER
21	59637	2	SCREW, TAPTITE 3/8"-16 X .75 LG.	47	91161	1	BOLT, SHOULDER-M6 X 15 LG.
22	48031-E	2	HOSE CLAMP	48	49821	2	BOLT, SOCKET HD. CAPSCR. M8-1.25 X 30 LG.
23	21544	1	MOTOR, STARTER-12VOLT	49	86999	1	GASKET, OIL FILTER SUPPT.
24	74908	1	SCREW, TAPTITE M5-0.8 X 10 LG.	50	60108	1	SWITCH, OIL PRESS.-10 PSI
25	40976	2	SOCKET HD. CAPSCR., M8-1.25 X 20 LG.	51	75281	1	SWITCH, OIL TEMPERATURE
26	25034	1	PLUG, BUTTON - 1.06	52	74027	2	SCREW, PHILLIPS PAN HD. MACH. - M3-0.5 X 5 LG.
				53	43182	2	LOCK WASHER - M3
				54	70185	1	FILTER, OIL
				55	A7629	1	ENGINE, LONG BLOCK - GN410VSRV
				56	82774	1	KEY, WOODRUFF 4 X 19 DIA.

EXPLODED VIEW — GN-410 ENGINE

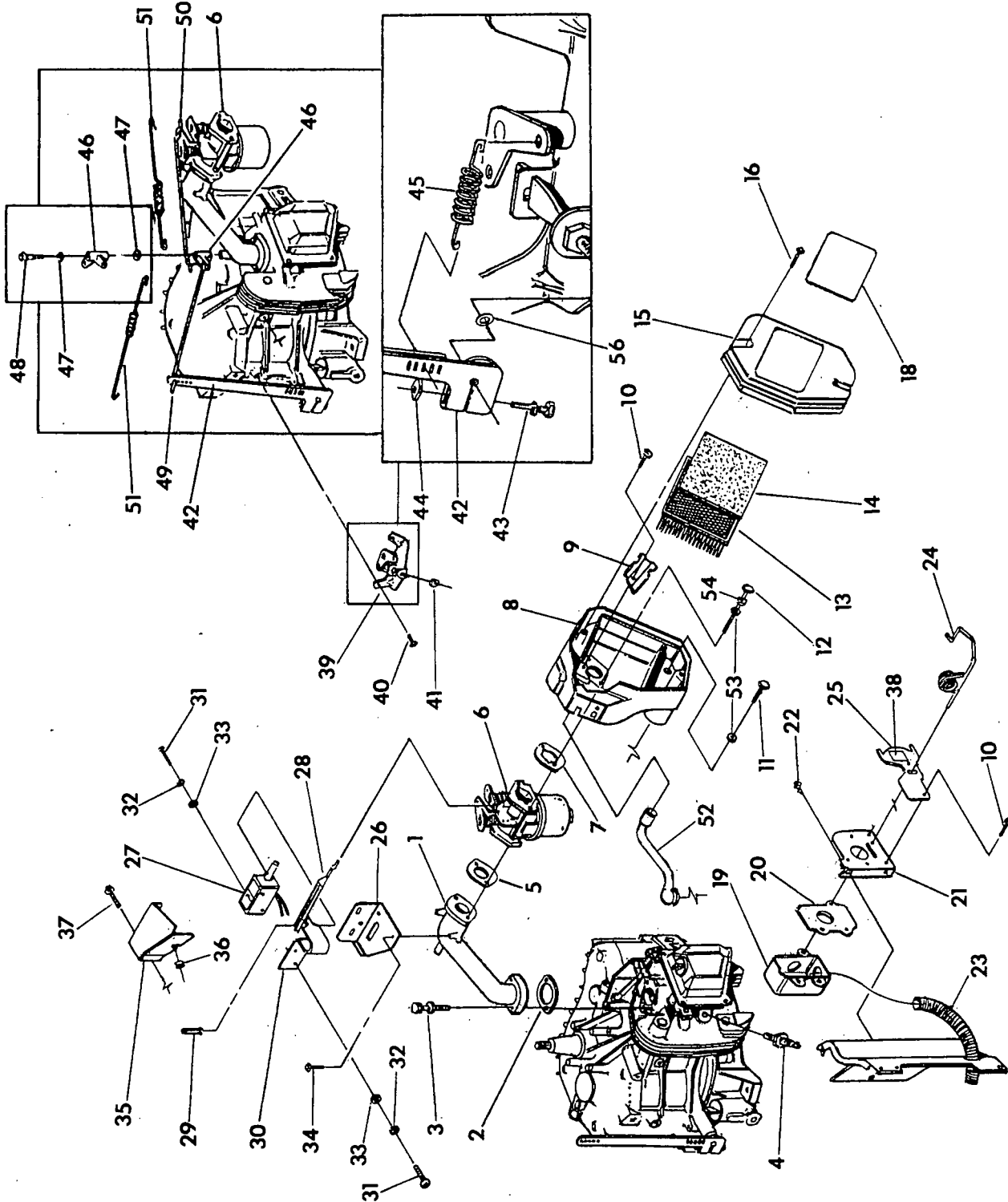


Recreational Vehicle Generator

REPAIR PARTS — GN-410 ENGINE

ITEM	DESCRIPTION	PART NO.	QTY.	ITEM	DESCRIPTION	PART NO.	QTY.
1	PISTON RING SET	21533	1	32	PRESSURE RELIEF BALL	A5776	1
2	CONNECTING ROD BOLT	71979	2	33	GOVERNOR SPOOL	A7308	1
3	CONNECTING ROD WITH CAP AND BOLT	71978	1	34	GOVERNOR RETAINER (C-RING)	78645	1
4	PISTON PIN	71980	1	35	OIL PRESSURE SPRING RETAINER	78691	1
5	PISTON PIN RETAINER	71983	2	36	M5-0.8X8MM SCREW (THD. FORMING)	74908	1
6	CYLINDER HEAD GASKET	21713B	1	37	GOVERNOR GEAR ASSEMBLY	83912	1
7	FLANGED HEX HD. CAPSCREW	73144	8	38	OIL PRESSURE SPRING	A5771	1
8	M10 X 100MM HEAD BOLT	73149	4	39	SPRING WASHER	B2104	2
9	PISTON	96699	1	40	OIL SUMP	83981	1
10	CRANKCASE GASKET	76701	1	41	SLEEVE BEARING	72654	1
11	M6 SCREW (THD. FORMING)	45756	2	42	GOVERNOR ARM "R" PIN	78658	1
12	BREATHER GASKET	80308	2	43	THRUST WASHER	78659	2
13	BREATHER COVER	80309	1	44	SLEEVE DOWEL PIN DIA. 12	78699B	1
14	OIL BREATHER SEPARATOR	80338	1	45	SLEEVE DOWEL PIN DIA. 14	78699C	2
15	PIPE PLUG-3/8"	26925	1	46	GOVERNOR ARM	83948	1
16	TAPPET	83897	2	47	DOWEL PIN DIA. 12 X 20 LONG	88590	1
17	PIVOT BALL STUD	72694	2	48	CRANKCASE SUB ASSEMBLY	89288C	1
18	JAM NUT (ROCKER ARM)	72696	2	49	BALANCER	84430	1
19	SEAL, VALVE STEM	78672	1	50	OUTER GEROTER	86002	1
20	PUSH ROD GUIDE PLATE	78694	1	51	INNER GEROTER	86026	1
21	ROCKER ARM	83907	2	52	PUSH ROD	88396B	2
22	CYLINDER HEAD W/VALVE SEATS AND GUIDES	21714	1	53	CRANKSHAFT ASSEMBLY	90416A	1
23	VALVE SPRING RETAINER	86514	2	54	BREATHER VALVE ASSEMBLY	90747	1
24	VALVE SPRING KEEPER	88515	4	55	ROCKER COVER GASKET	70987	1
25	EXHAUST VALVE	86516	1	57	ROCKER COVER W/FILL	92362	1
26	INTAKE VALVE	86517	1	58	M6-1.00 X 16MM PAN HD. SCR. AND LOCKWASHER	79246	4
27	WASHER, VALVE SPRING	89673	2	59	BEARING TUBE SHAFT	83921	1
28	VALVE SPRING	91308	2	60	OIL SCREEN PICKUP ASSEMBLY	77158	1
29	CAMSHAFT ASSEMBLY	A7081	1	61	"O" RING 14 I.D. X 2.4 THICK	80342	2
30	CAMSHAFT SEAL	72655	2	63	OIL FILL PLUG	76329	1
31	THRUST WASHER	76361	1	64	"O" RING 17.8 I.D. X 2.4 THICK	86254	1
				65	OIL FILL CAP ASSEMBLY	93064	1

EXPLODED VIEW — ENGINE ACCESSORIES



Recreational Vehicle Generator

REPAIR PARTS — ENGINE ACCESSORIES

ITEM	DESCRIPTION	PART NO.	QTY.	ITEM	DESCRIPTION	PART NO.	QTY.
1	Intake Manifold	90896	1	28	Choke Linkage	91642	1
2	Manifold Head Gasket	91039	1	29	Cotter Pin	36544	1
3	M6-1.0 x 20 Capscrew & Lock Washer Bolt	68527	2	30	Choke Heater Assy.	89473	1
4	#RC12YC Champ Spark Plug	72347	1	31	#4-40 x .19 Phillips Screw	47488	4
5	Carb./Manifold Gasket	89228	1	32	#4 Lock Washer	22159	4
6	Carburetor	91188A	1	33	#4 Flat Washer	31879	4
7	Carb./Air Filter Gasket	90970	1	34	M5 x 10 Taptite Screw	74908	2
8	Air Filter Base	73108	1	35	Choke Assy. Cover	91677	1
9	Carb. Shield Plate	91204	1	36	Rubber Grommet	22717A	1
10	#8 x .37" Plastite Screw	59635	4	37	#8 x .37 Crimptite Screw	63036	1
11	M6 x 12 Capscrew & Lock Washer Bolt	66476	2	38	Summer/Winter Decal	92252	1
12	80 Lg. Carb. Mount. Bolt	92695	2	39	Gov. Spring Adj. Brkt. Assy.	92164	1
13	Air Filter	73111	1	40	M8 x 15 Taptite Bolt	83512	2
14	Air Filter Pre-Cleaner	81646	1	41	M5-0.8 Locking Nut	83503	1
15	Air Filter Cover	73104B	1	42	Gov. Arm Lever	90968	1
16	Air Filter Cover Bolt	78609	2	43	M6 x 30 Washer/Lock Washer Bolt	83532	1
18	NP-50G (360 Eng. only) A/C Data Decal	91554	1	44	M6 Special Nut	86681	1
	NP-50G (410 Eng. only) A/C Data Decal	91554B	1	45	Governor Spring	91638	1
19	Heat Riser Box	92364	1	46	Gov. Rods Bellcrank	91633	1
20	Heat Riser Box Gasket	92363	1	47	Felt Washer	92586	2
21	Air Clnr. Support Bracket	91367	1	48	M6 x 15 Shoulder Bolt	91161	1
22	M6-1.0 x 10 Taptite Bolt	45756	2	49	Linkage Gov. Lever Bellcrank Rod	91636	1
23	7" Lg. Heat Riser Tube	92182	1	50	Carb. Link. Bellcrank Rod	91637	1
24	Winter/Summer Lever Assy.	91994	1	51	A/L Gov. Lever Bellcrank Spring	91649	
25	Summer/Winter Valve Guide Plate	91992	1	52	Breather Tube	91645	1
26	Choke Assy. Bracket	91641	1	53	M6 Flat Washer	22473	4
27	Choke Solenoid Assy.	91306	1	54	M6 Flat Washer	22097	2
				55	.26 I.D. Washer Spring	A4009	1

EMISSION CONTROL SYSTEM WARRANTY

Emission Control System Warranty ("ECS Warranty") for 1995 and Later Model Year recreational vehicle generator:

- A. **Applicability:** This warranty shall apply to 1995 and later model year recreational vehicle generator. The ECS Warranty Period ("ECS Warranty Period") shall begin on the date the new engine or equipment is delivered to its original, end-use purchaser and shall continue for 24 consecutive months thereafter.
- B. **General Emissions Warranty Coverage:** Generac Corporation warrants to the original, end-use purchaser of the new engine or equipment and to each subsequent purchaser that each of its recreational vehicle generator is:
1. Designed, built and equipped so as to conform with all applicable regulations adopted by the Air Resources Board pursuant to its authority, and
 2. Free from defects in materials and workmanship which, at any time during the ECS Warranty Period, will cause a warranted emissions - related part to fail to be identical in all material respects to the part as described in the engine manufacturer's application for certification.
- C. **The ECS Warranty only pertains to emissions-related parts on your engine, as follows:**
1. Any warranted, emissions-related parts which are not scheduled for replacement as required maintenance in the Owner's Manual shall be warranted for the ECS Warranty Period. If any such part fails during the ECS Warranty Period, it shall be repaired or replaced by Generac Corporation according to Subsection (4) below. Any such part repaired or replaced under the ECS Warranty shall be warranted for any remainder of the ECS Warranty Period.
 2. Any warranted, emissions-related part which is scheduled only for regular inspection as specified in the Owner's Manual shall be warranted for the ECS Warranty Period. A statement in such written instructions to the effect of "repair or replace as necessary" shall not reduce the ECS Warranty Period. Any such part repaired or replaced under the ECS Warranty shall be warranted for any remainder of the ECS Warranty Period.
 3. Any warranted, emissions-related part which is scheduled for replacement as required maintenance in the Owner's Manual shall be warranted for the period of time prior to first scheduled replacement point for that part. If the part fails prior to the first scheduled replacement, the part shall be repaired or replaced by Generac Corporation according to Subsection (4) below. Any such emissions-related part repaired or replaced under the ECS Warranty shall be warranted for the remainder of the ECS Warranty Period prior to the first scheduled replacement point for such emissions-related part.
 4. Repair or Replacement of any warranted, emissions-related part under this ECS Warranty shall be performed at no charge to the owner at a Generac Corporation Authorized Service Outlet.
 5. The owner shall not be charged for diagnostic labor which leads to the determination that a part covered by the ECS Warranty is in fact defective, provided that such diagnostic work is performed at a Generac Corporation Authorized Service Outlet.
 6. Generac Corporation shall be liable for damages to other original engine components or approved modifications proximately caused by a failure under warranty of any emission-related part covered by the ECS Warranty.
 7. Throughout the ECS Warranty Period, Generac shall maintain a supply of warranted emission-related parts sufficient to meet the expected demand for such emission-related parts.
 8. Any Generac Corporation authorized and approved emission-related replacement part may be used in the performance of any ECS warranty maintenance or repairs and will be provided without charge to the owner. Such use shall not reduce Generac Corporation ECS warranty obligations.
 9. Unapproved add-on modified parts may not be used to modify or repair a Generac Corporation engine. Such use voids this ECS Warranty and shall be sufficient grounds for disallowing an ECS Warranty claim. Generac Corporation shall not be liable hereunder for failures of any warranted parts of a Generac Corporation engine caused by the use of such an unapproved add-on or modified part.

EMISSION RELATED PARTS INCLUDE THE FOLLOWING:

1. **Fuel Metering System**
 - a. Gasoline carburetor assembly (if so equipped)
 - 1) Fuel Filter (if so equipped)
 - 2) Carburetor gaskets
 - 3) Fuel pump
 - b. LP/Natural gas carburetion assembly
 - 1) Fuel controller
 - 2) Mixer and its gaskets (if so equipped)
 - 3) Carburetor and its gaskets (if so equipped)
 - 4) Primary gas regulator (if so equipped)
 - 5) LP liquid vaporized (if so equipped)
2. **Air cleaner assembly**
 - a. Air filter element
 - b. Intake pipe
3. **Ignition system including:**
 - a. Spark plug
 - b. Ignition module
4. **Catalytic muffler (if so equipped)**
 - a. Muffler gasket (if so equipped)
 - b. Exhaust manifold (if so equipped)
5. **Crankcase breather assembly and its components.**
 - a. Breather connection tube



Generac's Three-Year Limited Warranty For Recreational Vehicle Generators

Generac warrants to the original owner and subsequent purchasers from the date of purchase by the original owner, that its generators will be free from defects in materials or workmanship for the period as set forth below. During said warranty period, Generac will, at its option, repair or replace any part which, upon examination by Generac or a Generac Authorized Distributor and/or Dealer thereof, is found to be defective from normal use and service.

This warranty is only effective, upon Generac's receipt from the original owner, a completed Warranty Registration Card, prior to the expiration of the warranty period. This card is the only valid registration identification and must be presented at time of requesting Warranty service. Claims will not be accepted without presentation of this Registration Card.

THREE YEAR WARRANTY SCHEDULE

1. All generators used in a recreational vehicles shall be warranted for a period of three (3) years or 2,000 hours of operation, whichever occurs first. All parts, labor, removal and reinstallation shall be covered for the first two years. Parts and labor on selected generator and engine parts shall be covered during the third year or 2,000 hours, whichever occurs first. These selected parts are limited to: the main Rotor and Stator, Computer Control board (if applicable) with regard to the generator; the Cylinder Block, Cylinder Head, Crankshaft, Piston, Valve, Valve Lifter, and Manifolds with regard to the engine.
2. The drive belt and pulleys (if so equipped) on air-cooled generator used in recreational vehicles shall be warranted against failure due to defective materials or normal usage for the life of the generator. For the original owner, this drive belt and pulley warranty shall include parts and labor plus \$50.00 payment upon return of the failed belt or pulley by the original owner. For succeeding owners, this drive belt warranty shall cover belt or pulley parts only.
3. Rental units, demonstrators, prime power, or commercial applications, such as construction or utility, are warranted for (1) one year or 2,000 hours, whichever comes first.
4. This transferable warranty is in effect for all Recreational Vehicle Generators purchased after Jan. 1, 1998.

THIS WARRANTY DOES NOT COVER:

- Costs of maintenance, installation, and start-up.
- Failures due to (a) normal wear and tear from GN engine, or (b) accident, misuse, abuse, negligence or improper installation.
- Products which are modified or altered in a manner not authorized by Generac in writing.
- Any incidental, consequential or indirect damages caused by defects in materials or workmanship, or any delay in repair or replacement of defective parts.
- Failure due to misapplication.
- Telephone, telegraph, teletype or other communication expense.
- Living or travel expenses of persons performing service.
- Any and all transportation/travel expenses.
- Rental equipment used while warranty repairs are being performed.
- Overtime labor.
- Starting batteries, fuses, light bulbs, and engine fluids.

****NORMAL WEAR: As with all mechanical devices, the GN-Series engines need periodic parts service and replacement to perform well. This warranty will not cover repair when normal use has exhausted the life of a part or an engine.**

There is no other express warranty. Generac hereby disclaims any and all implied warranties, including but not limited to those of merchantability and fitness for a particular purpose to the extent permitted by law. The duration of any implied warranties which cannot be disclaimed is limited to the time period (one year) as specified in the express warranty. Liability for consequential, incidental or special damages under any and all warranties is excluded to the extent permitted by law. Some states do not allow limitations on how long an implied warranty lasts, or the exclusion or limitation of incidental or consequential damages, so the above limitations or exclusions may not apply to you. This warranty gives you specific legal rights and you may also have other rights, which vary from state to state.

For service, see your nearest GENERAC authorized warranty service facility or call 1-800-526-2871. Warranty service can be performed only by a GENERAC authorized service facility. This warranty will not apply to service at any other facility. At the time of requesting warranty service, evidence of original purchase date must be presented.

Generac Corporation

P.O. Box 8 Waukesha, WI 53187 Telephone: (414) 473-5514 Fax: (414) 472-6505