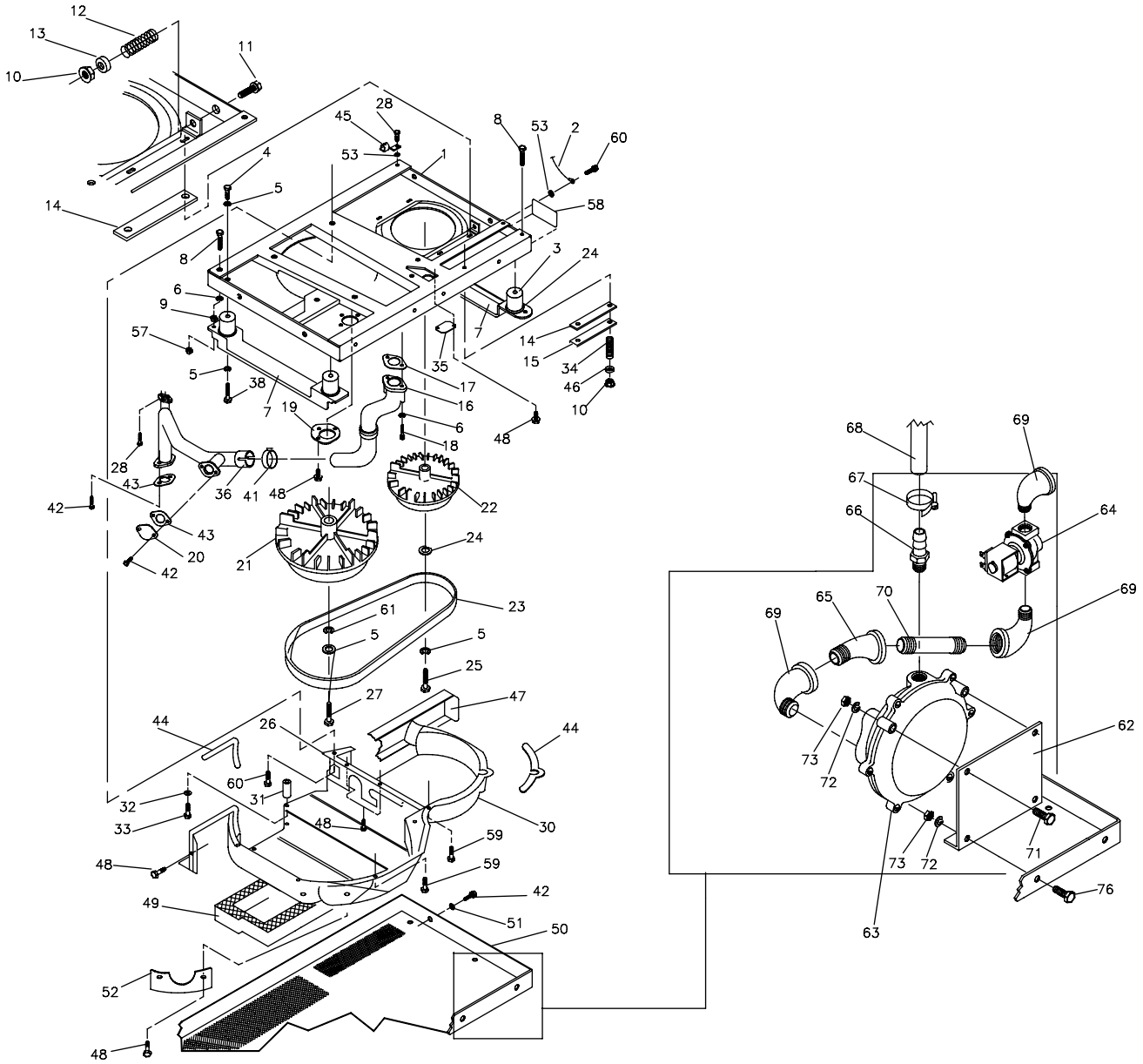


EXPLODED VIEW — BASE AND PULLEYS **Drawing No. 95865**





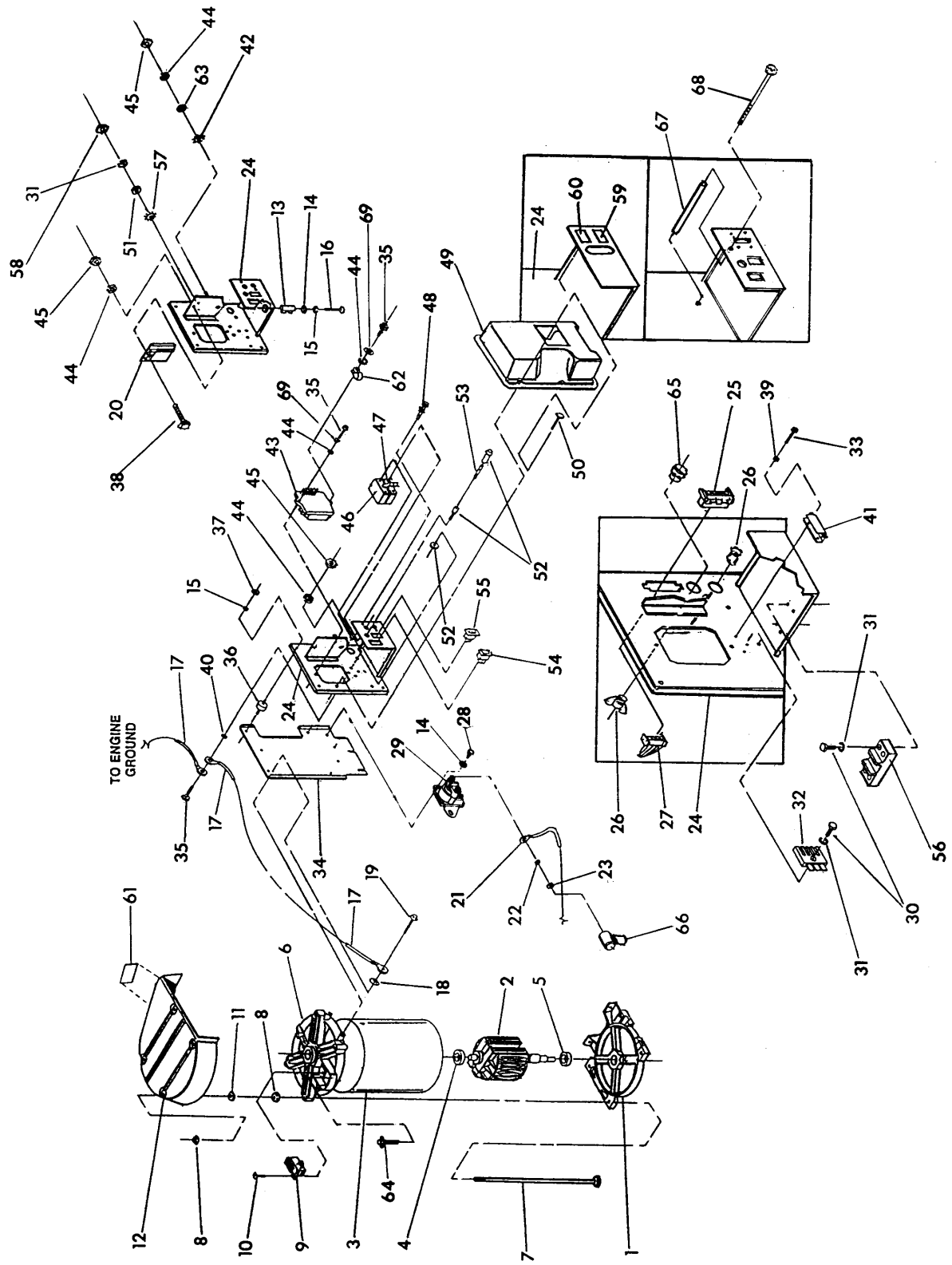
REPAIR PARTS — BASE AND PULLEYS

Drawing No. 95865

ITEM	DESCRIPTION	PART NO.	QTY.	ITEM	DESCRIPTION	PART NO.	QTY.
1	BASE, MOUNTING	92603	1	36	ADAPTOR, UNIVERSAL EXH.	91146	1
2	GROUND CABLE	90141	1	41	CLAMP, EXH. PIPE-1-1/4 DIA.	96289	1
3	MOUNT, (RUBBER)	46911	4	42	HHCS & LOCK WASH.-M6-1.0x16.	79246	8
4	CAPSCREW, -.3/8"-16 x 1/2"	25017	8	43	GASKET, EXH. PIPE	77643	2
5	LOCKWASHER-M10	46526	10	44	FOAM TAPE	29289	10FT.
6	LOCKWASHER-M8	22129	4	45	LUG, GROUNDING	62684	1
7	SKID, RUBBER MOUNT	72391	2	46	WASHER, SPRING RETAINER	75237	4
8	SAFETY BOLT 5/16"-18 x 3 1/2"	77603	2	47	COVER, AIR OPENING	75226	1
9	NUT, HEX-5/16-18	22259	2	48	SCREW(CRIMPTITE) #10-24 x .5	56893	12
10	NUT, FLANGED LOCK-M8-1.25	52858	6	49	GASKET, FOAM-SLIDE PAN	75229	1
11	CAPSCR. -M8-1.25 x 60MM	51730	2	50	PAN, SLIDE	75227	1
12	SPRING, BELT TENSION	29459	2	51	FLAT WASHER-M6	22473	4
13	WASHER, SPRING CNTR.	75215	2	52	COVER, EXHAUST OUTLET	72384-C	1
14	SLIDE (NYLON)	73146	4	53	LOCK WASHER, SHAKEPR.-M6	22447	2
15	SUPPORT, NYLON SLIDE	75209	2	57	NUT, FLANGE-5/16-18 (SPECIAL)	81105	2
16	MANIFOLD, EXHAUST	91032	1	58	DECAL, GROUND	67210A	1
17	GASKET, EXHAUST MANIFOLD	90239	1	59	SCREW, TAPTITE M5-0.8 x 10 .	74908	9
18	CAPSCR.,-M8-1.25 x 65 LG.	57636	2	60	SCREW, TAPTITE M6-1.0 x 10	45756	5
19	GASKET, COLLECTOR PAN	92645	1	61	FLAT WASHER-M10	22131	1
20	COVER PLATE -EXTERNAL	90859	1	62	REGULATOR MOUNT .BRACK.	78864	1
21	PULLEY, ENGINE	75224-B	1	63	REGULATOR	75211	1
22	PULLEY, ALT.	73106-B	1	64	FUEL SOLENOID 12VDC	A2666	1
23	BELT (POLY V 4L)-40"	75216	1	65	45° STREET ELBOW-3/4"	25425	1
24	WASHER, PULLEY RETAINER	49451	1	66	STRAIGHT BARB. FIT.-1/2 x 3/8"	63463	1
25	CAPSCR., HEX HD. 3/8"-24 x 1"	42633	1	67	HOSE CLAMP-SIZE-#8	57822	1
26	GUIDE, BLOWER HOUSING	77017	1	68	FUEL HOSE-1/2" DIA. x 8.50"	74994	1
27	CAPSCR., 3/8"-24 x 2-1/2"	73118	1	69	90 °STREET ELBOW-3/4"	26307	3
28	SCREW (TAPTITE)-M6-1.00 x 20	74906	2	70	PIPE, NIPPLE-3/4" x 3" LG	26881	1
30	HOUSING, BLOWER	72375	1	71	M6-1.0 x 30 CAP SCREW	38750	2
31	SPACER, BLOWER HOUSING	73185	1	72	M6 LOCK WASHER	22097	4
32	LOCKWASHER, M5	22152	1	73	M6 HEX NUT	49813	4
33	CAPSCR. -M5-0.80 x 80MM	77682	1	74	FLEX SLEEV.-3/8" x 9" Lg.	84409	1
34	SPRING, GENERATOR SET MT	75242	4	75	PIPE JOINT COMPOUND	55162	A/R
35	COVER PLATE, EXH. BASE	92203	1	76	M6 x 16 HEX HD. CAPSCR.	47411	2

EXPLODED VIEW — ALTERNATOR AND PANEL

Drawing No. 94106





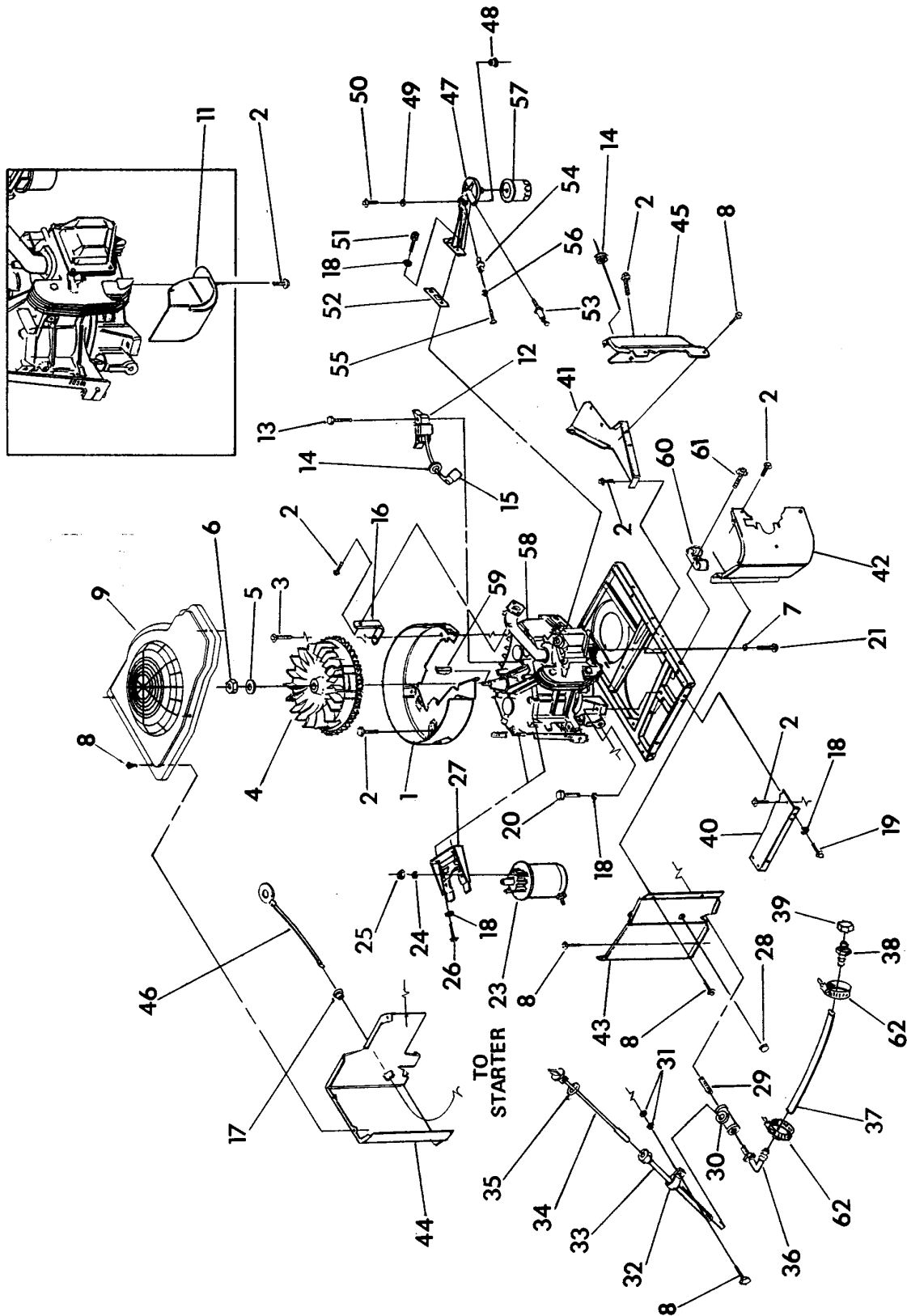
REPAIR PARTS — ALTERNATOR AND PANEL

Drawing No. 94106

ITEM	DESCRIPTION	PART NO.	QTY.	ITEM	DESCRIPTION	PART NO.	QTY.
1	Lower Bearing Carrier	75995	1	35	M5-0.8 x 30 Capscrew	75235	3
2	50 Rotor Assembly	92605G	1	36	Vibration Mount	82737	4
3	50 Stator Assembly	92604G	1	37	M6-1.0 Hex Nut	49813	4
4	Ball Bearing	73159	1	38	M5-0.8 x 16 Capscrew	55440	1
5	Ball Bearing	31971	1	39	M3 Lock Washer	43182	2
6	Upper Bearing Carrier	72379	1	41	2.5A.-ON Circuit Breaker	53623	1
7	Stator Stud	77006	4	42	M5 Shakeproof Washer	22769	2
8	M8-1.25 Flange Lock Nut	52858	8	43	Regulator Voltage	83049	1
9	Brush Holder	66386	1	44	M5 Lock Washer	22152	6
10	M5-0.8 x 16 Taptite	66849	2	45	M5-0.8 Hex Nut	51716	4
11	Nylon Washer	27756	4	46	20A. Circuit Breaker	90144	1
12	Generator Top Housing	86314	1	47	30A All Units Cir. Breaker	90145	1
13	Resistor	75234	1	48	#6-32 w/Lockwasher Screw	25105	4
14	M6 Flat Washer	22473	3	49	Panel Cover	86315	1
15	M6 Lock Washer	22097	5	50	M4-0.7 x 16 Screw w/Lock Washer & Flat Washer	90734	4
16	M6-1.0 x 60 Capscrew	74095	1	51	M4 Flat Washer	22985	1
17	Ground Cable	90141	2	52	Fuse Holder	32300	1
18	Shakeproof Lock Washer	22447	1	53	15A. AGC Fuse	22676	1
19	M6-1.0 x 20 Taptite	74906	4	54	6A (Start/Stop) S.P.D.T. Switch	87798	1
20	P.C.B. Controller	94039	1	55	S.P.D.T. Switch (Fuel Pump)	92113	1
21	Starter Cable	10-74260	1	56	Terminal Block	75210A	1
22	5/16 Lock Washer	22129	2	57	M4 Shakeproof Washer	23365	1
23	5/16-18 Hex Nut	22259	2	58	M4-0.7 Hex Nut	51715	1
24	Panel Sheet Metal	86316	1	59	30A. CB Rating Decal	90157	1
25	4-Pin Connector	53650	1	60	20A. CB Rating Decal	90156	1
26	Connector	91915	1	61	Cust. Connection Decal	89438A	1
27	Remote Harness	75244	1	62	Hose Clamp	31791	1
28	M6-1.0 x 12mm Capscrew w/Lock Washer	66476	2	63	M5 Flat Washer	23365	1
29	Starter Contactor	86729	1	64	M5 x 10 Taptite	74908	2
30	M4-0.7 x 16 Capscrew	75476	3	65	Bushing	23484S	1
31	M4 Lock Washer	22264	4	66	Battery Cable Boot	75763A	1
32	Battery Charge Rectifier	65795	1	67	Plastic Spacer	94070	1
33	M3-0.5 x 15 Capscrew	90987	2	68	M6-0.8 x 110 PPHMS.	94071	1
34	Panel Support Bracket	86317	1				

EXPLODED VIEW — ENGINE ENCLOSURE

Drawing No. 94108



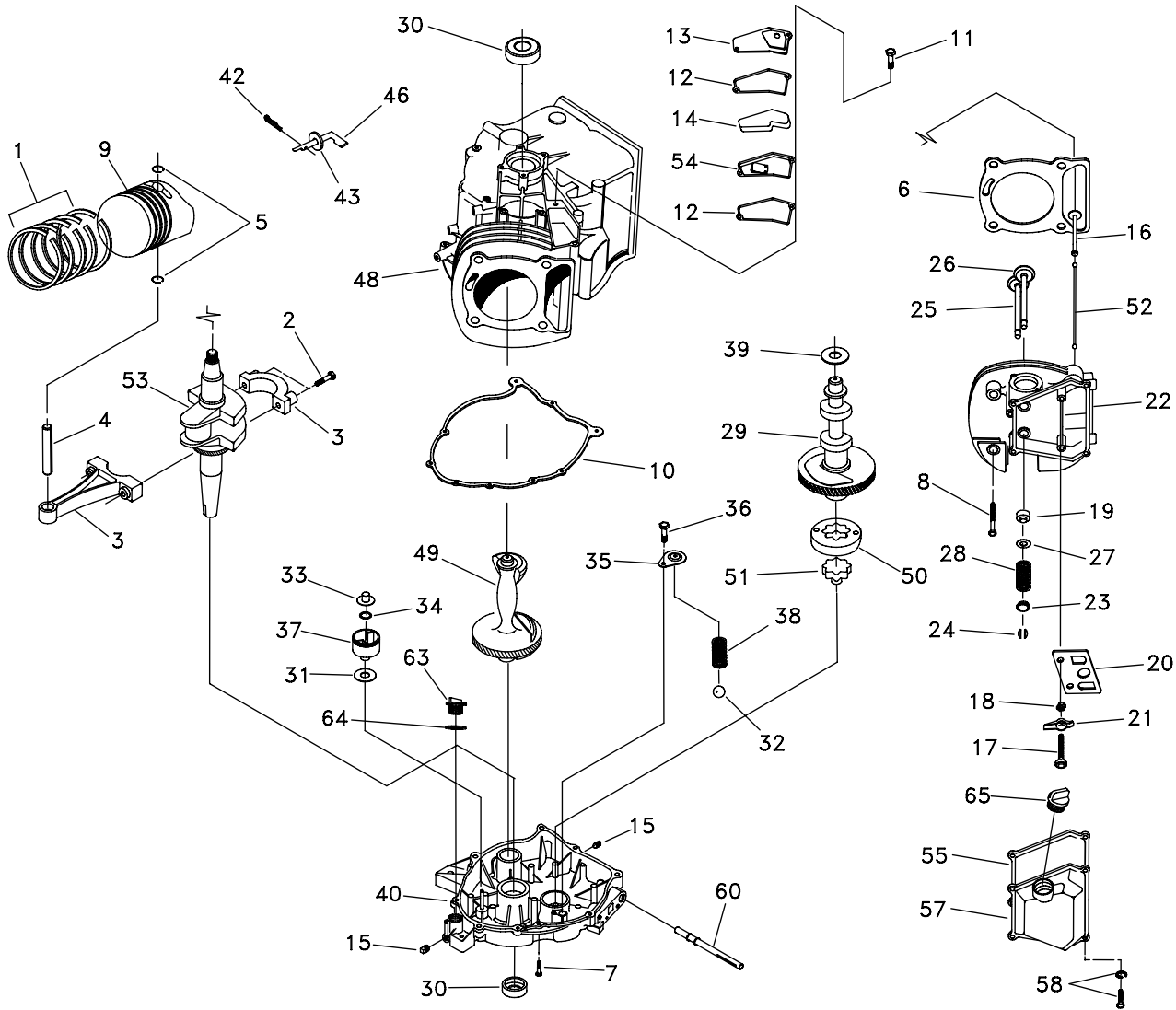


REPAIR PARTS — ENGINE ENCLOSURE

Drawing No. 94108

ITEM	PART NO.	QTY.	DESCRIPTION	ITEM	PART NO.	QTY.	DESCRIPTION
1	90953	1	SCROLL, FLYWHEEL	36	43790	1	ELBOW, 3/8 I.D. -BRASS
2	45756	8	SCREW, TAPTITE M6-1.0 x 10 LG	37	47290	1	HOSE, 3/8 I.D.
3	90388	1	SCREW, TAPTITE M6-1.0 x 12 LG	38	35461	1	BARB FITTING-1/4" NPT 3/8 HOSE
4	91222-A	1	FLYWHEEL (20 DEG.)	39	69811	1	CAP-1/4" NPT
5	67198-N	1	WASHER, BELLVILLE M20	40	90951	1	COVER-BASE, STARTER SIDE
6	67890	1	NUT, M20 x 1.5	41	90952	1	COVER-BASE, CARB. SIDE
7	A4456	1	3/8" SPECIAL LOCK WASHER	42	91137	1	WRAPPER, ENGINE SPARK PLUG
8	56893	23	SCREW, CRIMPTITE #10-24 x .5 LG	43	90954	1	WRAPPER, STARTER SIDE
9	98769	1	COVER, TOP FLYWHEEL NP50	44	90955	1	WRAPPER, REAR GEAR CASE
11	91646	1	DEFLCT., EXHAUST PORT	45	90956	1	WRAPPER, CARB. SIDE
12	92572	1	ASSY., IGNITION COIL	46	74260-10	1	ASSEMBLY., WIRE STARTER(#16)
13	92079	2	SCREW, TAPTITE M6-1.0 x 25MM	47	90892	1	SUPPORT, OIL FILTER
14	22717-A	1	GROMMET, RUBBER	48	91159	1	BUSHING, RUBBER
15	73132	1	BOOT, SPARK PLUG	49	91160	1	WASHER, RUBBER
16	91643	1	BRACKET, INTAKE MANIFOLD SUPPORT	50	91161	1	BOLT, SHOULDER M6 x 15 LG
17	22717-B	1	GROMMET, RUBBER	51	49821	2	BOLT, SOCKET HD. CAPSCR.-M8-1.25 x 30 LG
18	22129	8	LOCK WASHER-M8	52	86999	1	GASKET, OIL FILTER SUPPORT
19	42907	2	CAPSCR., HEX HD. M8-1.25 x 16 LG	53	60108	1	SWITCH, OIL PRESSURE 10 PSI
20	57821	2	CAPSCR., HEX HD. M8-1.25 x 40 LG	54	75281	1	SWITCH, OIL TEMP.
21	59637	2	SCREW, TAPTITE 3/8-16 x .75 LG	55	74027	2	SCREW, PHILIPS PAN HD. MACH.-M3-.05 x 5 LG
23	21544	1	MOTOR, STARTER-12VOLT	56	43182	2	LOCK WASHER-M3
26	40976	2	SOCKET HD. CAPSCR., M8-1.25 x 20 LG	57	70185	1	FILTER, OIL
28	25034	1	PLUG, BUTTON-1.06	58	90783-A	1	ENGINE, LONG BLOCK GN360RV
29	35467	1	CLOSE NIPPLE 3/8 NPT		99673	1	ENGINE, LONG BLOCK GN410VSRV
30	27738-A	1	PIPE TEE 3/8" NPT	59	82774	1	KEY, WOODRUFF 4 x 19 DIA.
31	22145	2	FLAT WASHER	60	65852	1	CLIP, HOSE RETAINER
32	55934-T	1	CLAMP-VINYL COATED	61	74908	1	SCREW, TAPTITE M5-0.8 x 10 LG
33	91519	1	TUBE-DIPSTICK	62	48031E	2	HOSE CLAMP
34	91520	1	ASSY., CAP AND DIPSTICK				
35	91648	1	<169>O<170> RING DIA. 14 x 3 WALL				

EXPLODED VIEW — GN-410 ENGINE **Drawing No. B2195**





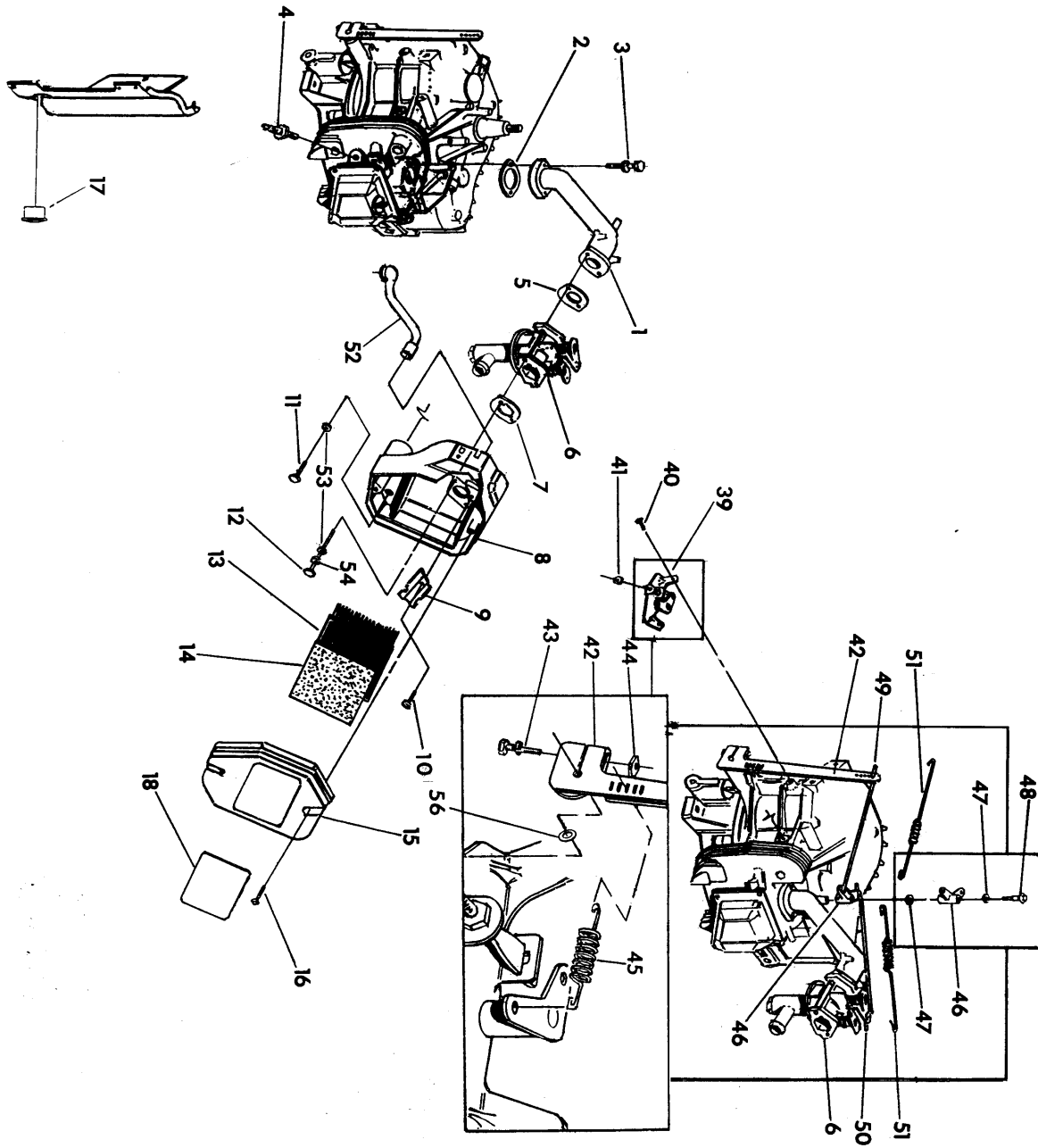
REPAIR PARTS — GN-410 ENGINE

Drawing No. B2195

ITEM	PART NO.	QTY.	DESCRIPTION	ITEM	PART NO.	QTY.	DESCRIPTION
1	71977	1	PISTON RING SET	33	76365	1	GOVERNOR SPOOL
2	71979	2	CONNECTING ROD BOLT	34	78645	1	GOVERNOR RETAINER (C-RING)
3	72637	1	CONNECTING ROD WITH CAP AND BOLT	35	78691	1	OIL PRESSURE SPRING RETAINER
4	71980	1	PISTON PIN	36	74908	1	M5-0.80 x 8MM SCREW (THD. FORMING)
5	71983	2	PISTON PIN RETAINER	37	83912	1	GOVERNOR GEAR ASSEMBLY
6	73142	1	CYLINDER HEAD GASKET	38	83918	1	OIL PRESSURE SPRING
7	73144	8	FLANGED HEX HD. CAPSCREW	39	72662	1	GOVERNOR SHAFT
8	73149	4	M10 x 100MM HEAD BOLT	40	83961A	1	OIL SUMP
9	76339	1	PISTON	41	72654	1	SLEEVE BEARING
10	76701	1	CRANKCASE GASKET	42	78658	1	GOVERNOR ARM "R" PIN
11	78698	2	M6 SCREW (THD. FORMING)	43	78659	2	THRUST WASHER
12	80308	2	BREATHER GASKET	44	78699B	1	SLEEVE DOWEL PIN DIA. 12
13	80309	1	BREATHER COVER	45	78699C	2	SLEEVE DOWEL PIN DIA. 14
14	80338	1	OIL BREATHER SEPARATOR	46	83948	1	GOVERNOR ARM
15	20527	1	DECAL, ENGINE IDENTIFICATION	47	87710	1	DOWEL PIN DIA. 12 x 20 LONG
16	83897	2	TAPPET	48	89288A	1	CRANKCASE SUB ASSEMBLY
17	72694	2	PIVOT BALL STUD	49	84430	1	BALANCER
18	72696	2	JAM NUT (ROCKER ARM)	50	86002	1	OUTER GEROTOR
19	78672	1	SEAL, VALVE STEM	51	86026	1	INNER GEROTOR
20	78694	1	PUSH ROD GUIDE PLATE	52	88396B	2	PUSH ROD
21	83907	2	ROCKER ARM	53	90416	1	CRANKSHAFT ASSEMBLY
22	83923	1	CYLINDER HD. W/VALVE SEATS AND GUIDES	54	90747	1	BREATHER VALVE ASSEMBLY
23	86514	2	VALVE SPRING RETAINER	55	71987	1	ROCKER COVER GASKET
24	86515	4	VALVE SPRING KEEPER	57	92362	1	ROCKER COVER W/FILL
25	86516	1	EXHAUST VALVE	58	92287	4	M6-1.00 x 16MM PAN HD. SCR. AND LOCKWASHER
26	86517	1	INTAKE VALVE	59	83921	1	BEARING TUBE SHAFT
27	89673	2	WASHER, VALVE SPRING	60	77158	1	OIL SCREEN PICKUP ASSEMBLY
28	91308	2	VALVE SPRING	61	80342	2	"O" RING 14 I.D. x 2.4 THICK
29	83932	1	CAMSHAFT ASSEMBLY	63	76329	1	OIL FILL PLUG
30	72655	2	CRANKSHAFT SEAL	64	86254	1	"O" RING 17.8 I.D. x 2.4 THICK
31	76361	1	THRUST WASHER	65	93064	1	OIL FILL CAP ASSEMBLY
32	76362	1	PRESSURE RELIEF BALL				

EXPLODED VIEW — ENGINE ACCESSORIES

Drawing No. 95866





REPAIR PARTS — ENGINE ACCESSORIES **Drawing No. 95866**

ITEM	PART NO.	QTY.	DESCRIPTION	ITEM	PART NO.	QTY.	DESCRIPTION
1	90896	1	MANIFOLD, INTAKE	39	92164	1	ASSEMBLY, GOV. SPRING ADJ. BRACKET
2	91039	1	GASKET, MANIFOLD/HEAD				
3	68527	2	BOLT, HEX HD. CAPSCR. & LOCK WASHER-M6-1.0 x 20	40	83512	2	BOLT, TAPTITE M8 x 15 LG
				41	83503	1	NUT, LOCKING M5- 0.8
4	72347	1	SPARK PLUG, CHAMPION #RC12YC	42	91916	1	LEVER, GOVERNOR ARM
				43	83532	1	BOLT, HEX HD. WASHER /LOCK WASHER-M6 x 30
5	89228	1	GASKET, CARB./MANIFOLD				
6	A2775A	1	L/P CARBURETOR	44	86681	1	NUT, M6 SPECIAL
7	90970	1	GASKET, CARB./AIR FILTER	45	91638	1	SPRING, GOVERNOR
8	73108C	1	BASE, AIR FILTER	46	91633	1	BELLCRANK, GOV. RODS
9	91204	1	PLATE, CARB. SHIELD	47	92586	2	WASHER, FELT
10	59635	2	SCREW, PLASTITE #8 x .37"	48	91161	1	BOLT, SHOULDER M6 x 15
11	66476	2	BOLT, HEX HD. CAPSCR., & LOCK WASHER-M6 x 12 LG	49	91636	1	ROD, LINKAGE GOV. LEVER-BELLCRANK
12	92695	2	BOLT, CARB. MOUNT 80 LG	50	91637	1	ROD, LINKAGE BELLCRANK -CARB.
13	73111	1	FILTER, AIR				
14	81646	1	PRE-CLEANER, AIR FILTER	51	91649	2	SPRING, A/L GOV. LEVER-BELLCRANK
15	73104-B	1	COVER, AIR FILTER				
16	78609	2	BOLT, AIR FILTER COVER	52	91645	1	BREATHER TUBE
17	20139	1	SNAP BUSHING	53	22473	4	M6 FLAT WASHER
18	91554	1	DECAL, A/C DATA NP-50G (360 ENGINE ONLY)	54	22097	2	M6 LOCK WASHER
				55	A4009	1	SPRING WASHER
	91554B	1	DECAL, A/C DATA NP-50G (410 ENGINE ONLY)	56	A7029	1	NYLON WASHER, .31 X .26 X .13